

# GTX™ City LED Signal Modules

200 and 300 mm

Central Light Source (24 VAC)

VLC-040 series



Project Name \_\_\_\_\_

Date \_\_\_\_\_ Type \_\_\_\_\_

Notes \_\_\_\_\_



**14th generation LED signal, building on 15 years of experience & over 6,000,000 units sold worldwide**

## OUTSTANDING PERFORMANCE

- Up to 80% energy savings vs. 50 W incandescent bulb.
- Central light source for a uniform looking signal.
- Operates from -40°C to +60°C.
- Phantom Class 5.

## MAXIMUM FLEXIBILITY

- Low profile module permits efficient installation into existing traffic housings.
- Easy-to-install. Internal mask compatible to fit your unique signaling needs.\*

## MEETS RIGOROUS CERTIFICATION & TESTING STANDARDS

- Compliant with following sections of EN12368:2006:
  - > 5.1 Environmental Requirements
  - > 6 Optical Requirements
  - > 8 Optical Test Methods
  - > 9 Tolerances
  - > 10 Marking, Labelling and Product Information
  - > 11 Evaluation Conformity
- IP65 Ingress Protection acc. to EN60598 (as per EN12368).
- Designed and tested through Current's rigorous Six Sigma process.
- 100% of signals are performance tested and traceable by serial numbers.
- EMC requirements acc. to EN50293 (as per EN12368 sect. 5.2)

\* Sold separately.



The Greatest Signals Stand the Test of Time.™

# GTX™ City LED Signal Modules

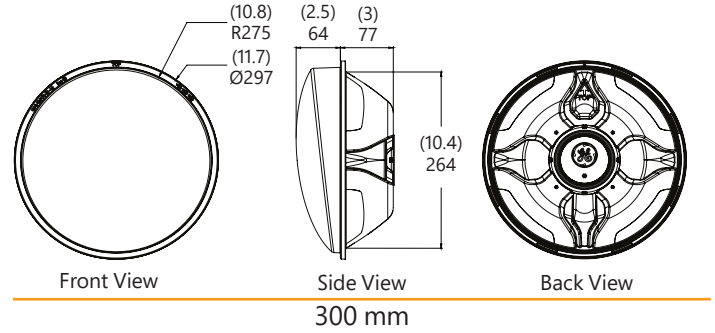
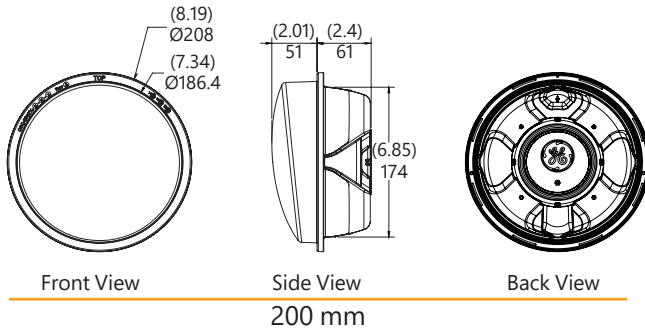
200 and 300 mm  
Central Light Source (24 VAC)

Project Name \_\_\_\_\_

Date \_\_\_\_\_ Type \_\_\_\_\_

Notes \_\_\_\_\_

## Mechanical Outline Dimensions in mm (inches)



## Design Compliance

Test type	Compliance
Impact Resistance	IR3 acc. to EN 60598-1
Environmental Class	A, B & C
Ingress Protection	IP65 <sup>1</sup> acc. to EN 60598
Signal with Symbol	S <sup>1</sup>
EMC	Class B acc. to EN 50293
Solar Radiation	Sa
Protection Class	Safety Class II, acc. to EN 60598

## Operating Specifications

Parameter	Rating
Operating Temperature Range <sup>2</sup>	-40°C to +60°C
Operating Voltage at Full Brightness	24 VAC
Power factor (Pf)*	> 90%
Total Harmonic Distortion (THD)	< 20%
Minimum Voltage Turn-Off (VTO)	10 V
Turn-On/Turn-Off Time	< 75 ms
Front Shell Material	UV Stabilized Polycarbonate

## Product Information

Model Number	Description	Front Shell	Size (mm)	Color	Minimum Light Intensity (Cd)	Maximum Light Intensity (Cd)	Nominal Power (W)*	Phantom Class <sup>3</sup>	Performance Levels Distribution <sup>3</sup>	Beam Type	Uniformity <sup>3</sup>	Weight kg (lbs)
93053653	DR4-RCFB-VLD-040	Black	200	Red	400	2000	10.5	5	B2/2	Type W & E	< 1:10	0.7 (1.5)
93053655	DR4-YCFB-VLD-040	Black	200	Yellow	400	2000	10.5	5	B2/2	Type W & E	< 1:10	0.7 (1.5)
93053652	DR4-GCFB-VLD-040	Black	200	Green	400	2000	11.0	5	B2/2	Type W & E	< 1:10	0.7 (1.5)
93053654	DR4-WCFB-VLD-040	Black	200	White	400	2000	10.5	5	B2/2	Type W & E	< 1:10	0.7 (1.5)
93053937	DR6-RCFB-VLD-040	Black	300	Red	400	2000	10.0	5	B2/2	Type W & E	< 1:10	1.1 (2.4)
93053939	DR6-YCFB-VLD-040	Black	300	Yellow	400	2000	10.5	5	B2/2	Type W & E	< 1:10	1.1 (2.4)
93053936	DR6-GCFB-VLD-040	Black	300	Green	400	2000	11.0	5	B2/2	Type W & E	< 1:10	1.1 (2.4)
93053938	DR6-WCFB-VLD-040	Black	300	White	400	2000	TBD	5	B2/2	Type W & E	< 1:10	1.1 (2.4)

<sup>1</sup> Values are subject to change without notice. Please contact your Current sales representative for most up to date information

<sup>2</sup> For a higher temperature range, please contact your Current representative.

\* According to EN 12368: 2006