

Lumination® LED Luminaires

Retrofit Commercial Downlights

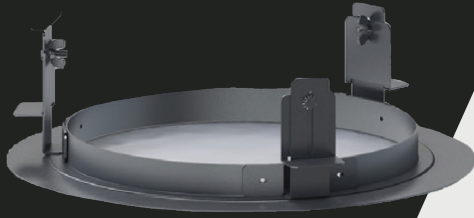
Adapter Ring For LRC Series

CUSTOMER NAME _____

Project Name _____

Date _____ Type _____

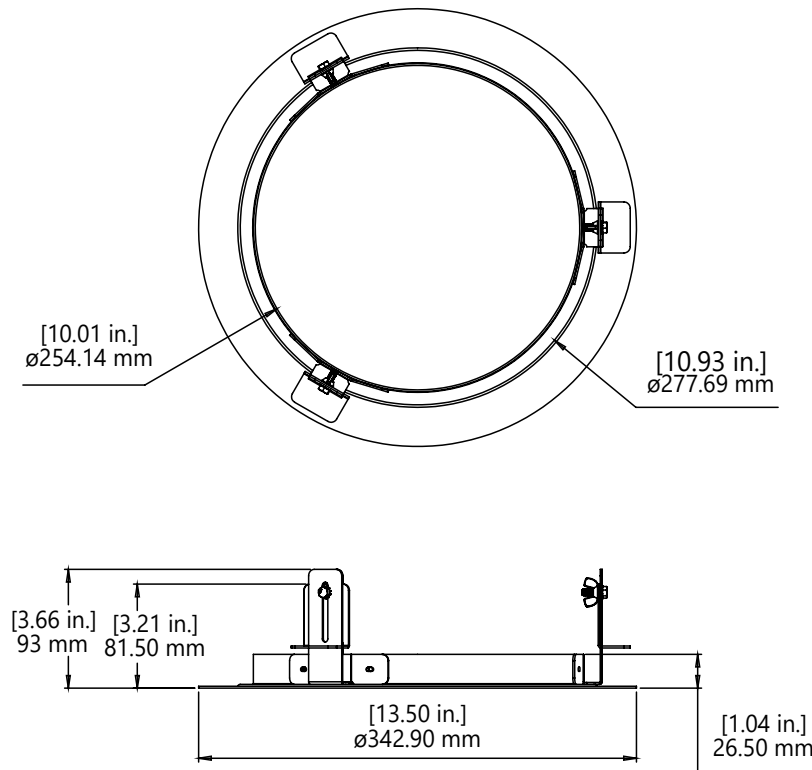
Catalog Number _____



The adapter ring is the perfect solution to retrofit an LRC 12" aperture downlight with any of the Lumination® 10" downlight fixtures. The adapter ring easily installs in the ceiling with thumb screws for quick installation.



ADAPTER RING DIMENSIONS:



Compatible Fixtures: LRC10
Hole Diameter: 11.7" – 12.3"

ORDERING INFORMATION

SKU	MATERIAL DESCRIPTION	PRODUCT DESCRIPTION
93030117	A12RC10RSDPA	12" ADAPTER RING, CLEAR ALZAK FINISH
93030118	A12RC10RPTWT	12" ADAPTER RING, WHITE PAINTED FINISH