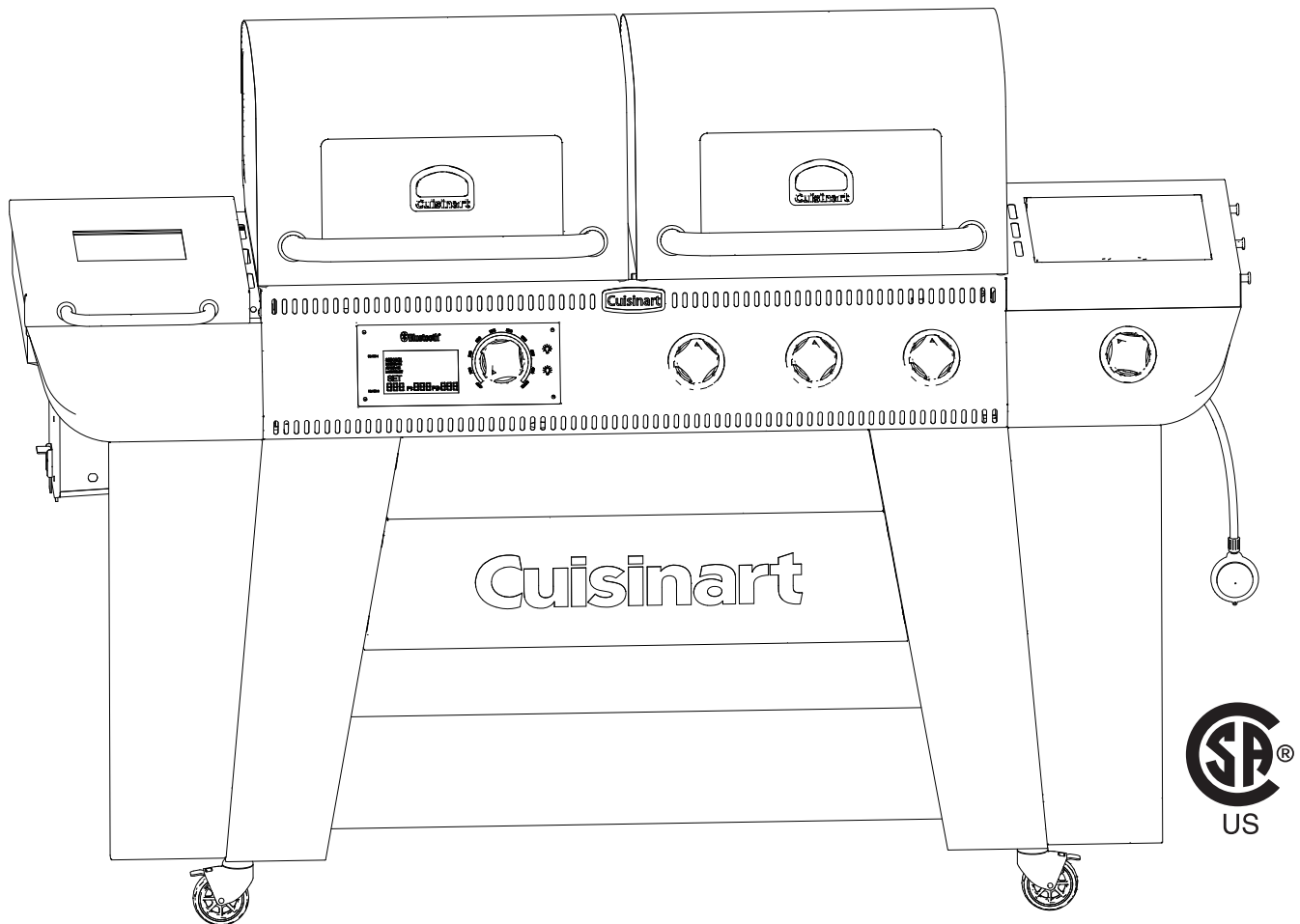


# Cuisinart®

## Twin Oaks Dual Function Grill

# ASSEMBLY INSTRUCTIONS

### Model GAS0356AS / GAS0356ASO



# ASSEMBLY INSTRUCTIONS:

**▲ READ ALL SAFETY WARNINGS & ASSEMBLY INSTRUCTIONS CAREFULLY BEFORE ASSEMBLING OR OPERATING YOUR GRILL.**

**WE RECOMMEND TWO PEOPLE WORK TOGETHER WHEN ASSEMBLING THIS UNIT.**

The following tools are required to assemble this Cuisinart Twin Oaks Pellet Grill:

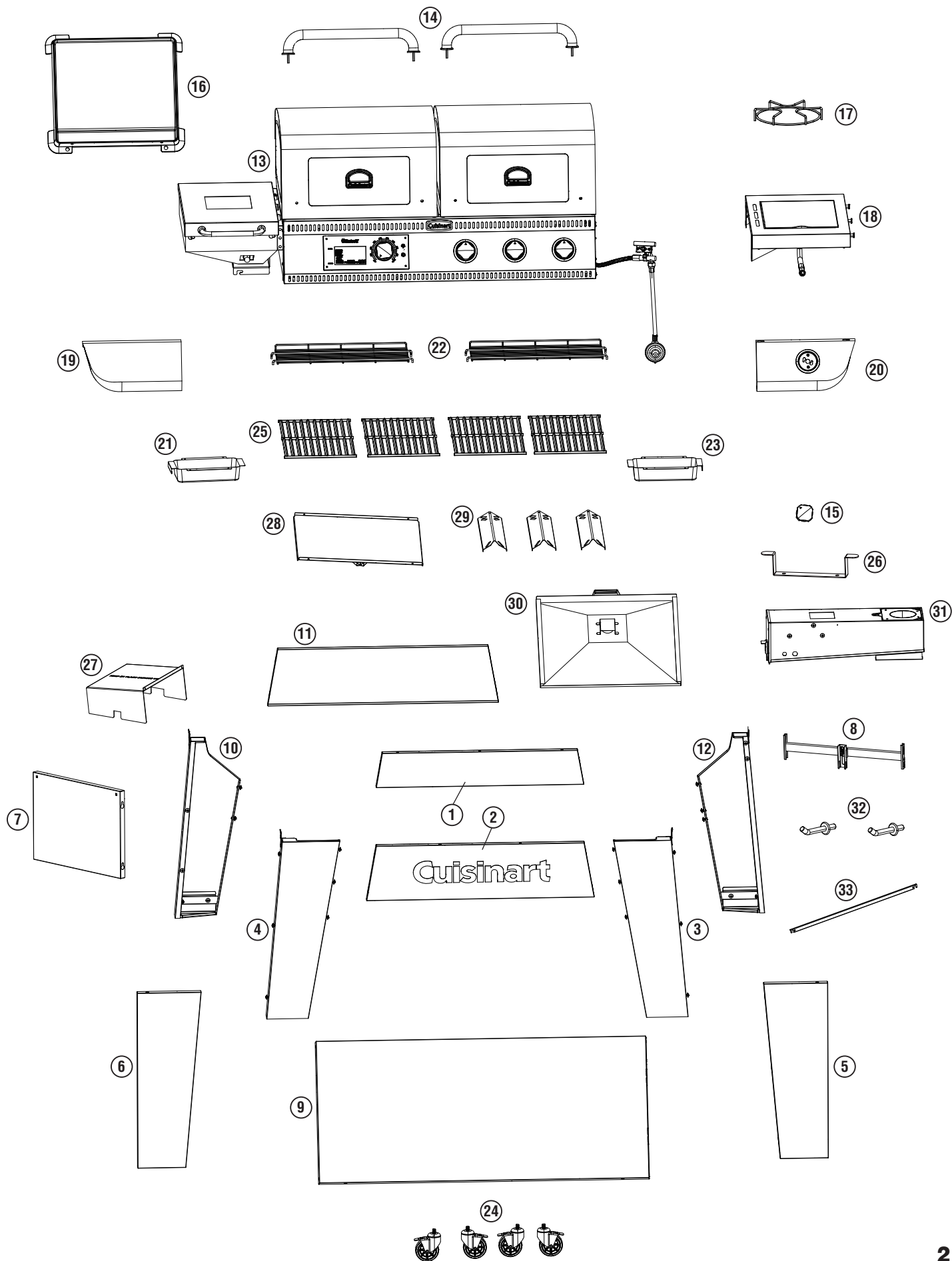
- **Phillips Screwdriver**
- **Pliers or Wrench**

## PARTS LIST:

①	1	Top Front Panel	⑮	1	Right Side Table
②	1	Bottom Front Panel	⑯	1	Left Side Control Panel
③	1	Right Front Leg	⑰	1	Right Side Control Panel
④	1	Left Front Leg	⑱	1	Grease Cup
⑤	1	Right Side Front Panel	⑲	2	Warming Racks
⑥	1	Left Side Front Panel	⑳	1	Ash Catcher
⑦	1	Left Side Panel	㉑	4	Casters
⑧	1	Cart Brace	㉒	4	Cooking Grates
⑨	1	Cart Base	㉓	1	Cord Wrap
⑩	1	Left Rear Leg	㉔	1	Heat Baffle
⑪	1	Back Panel	㉕	1	Heat Plate
⑫	1	Right Rear Leg	㉖	3	Heat Tents
⑬	1	Grill Body	㉗	1	Grease Tray
⑭	2	Hood Handles	㉘	1	Auger Housing
⑮	1	Control Knob	㉙	2	Accessory Hooks
⑯	1	Griddle	㉚	1	Tank Block Bar
⑰	1	Side Burner Grate			

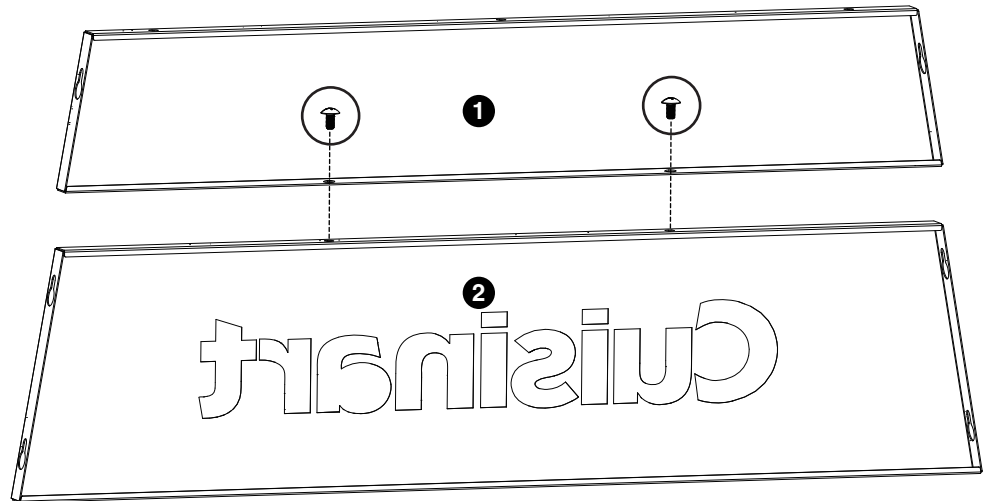
**Note:** Most hardware is pre-attached to the grill. You may need to loosen some screws partially while others may need to be removed in order to assemble parts. The screws that you remove will be re-used so don't misplace this hardware.

Extra screws are included in a small bag with the owners manual.



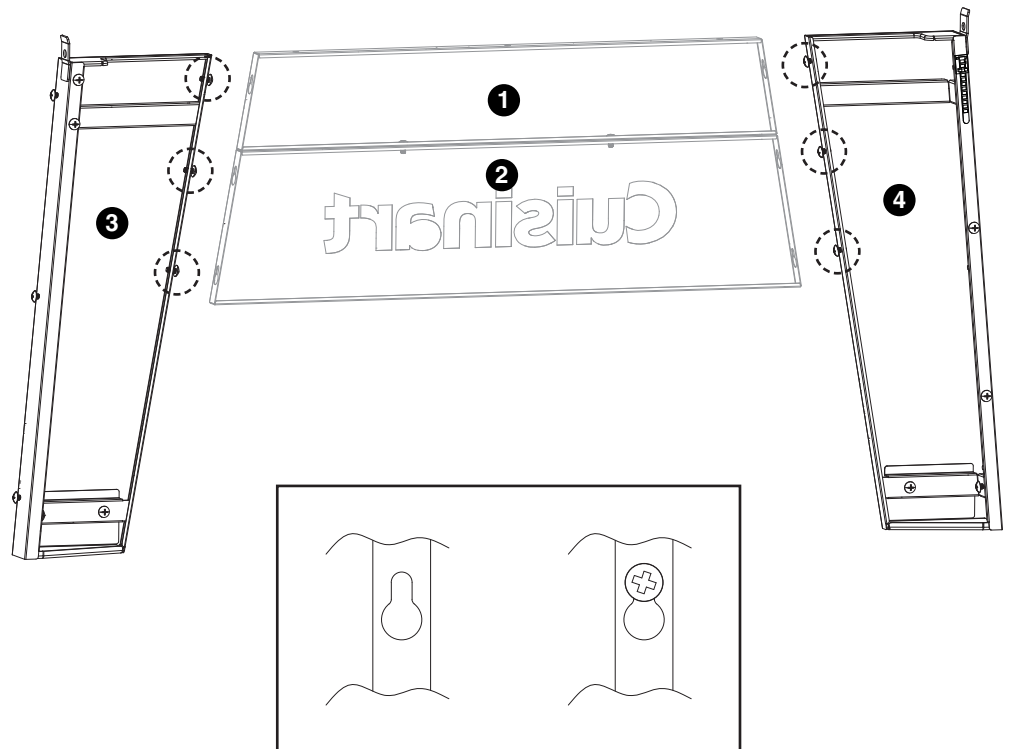
## Step 1

- Remove 2 screws
- Attach **FRONT PANELS** **1** and **2**
- Tighten 2 screws



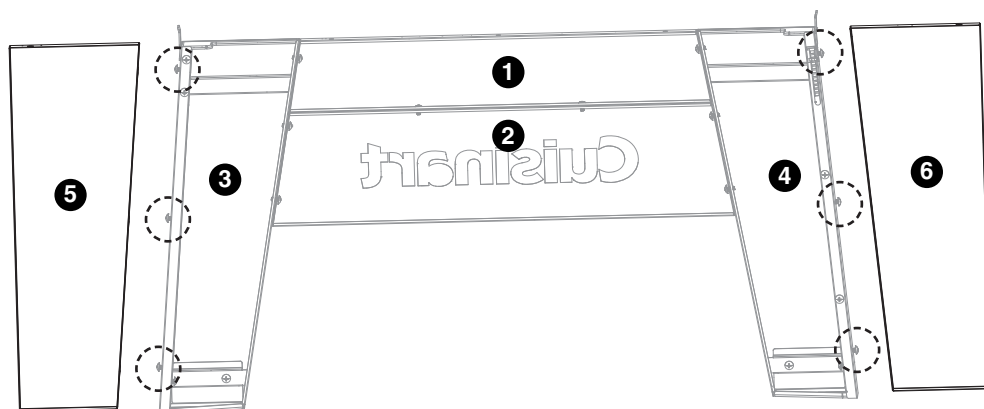
## Step 2

- Loosen 6 screws 3-4 turns on **FRONT LEGS** **3** and **4**
- Do not remove screws
- Attach **FRONT PANELS** **1** and **2** using keyholes
- Tighten 6 screws



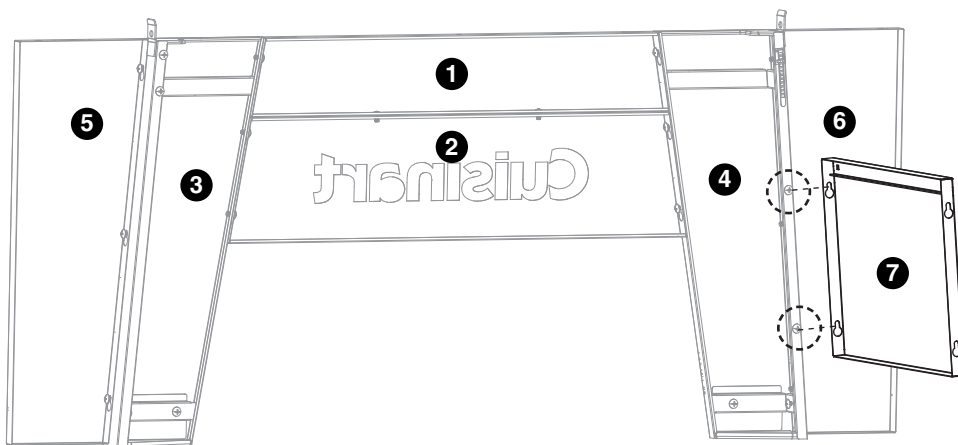
**NOTE:** Before tightening keyhole screws, make sure panels are aligned.

### Step 3



- Loosen 6 screws 3-4 turns on **FRONT LEGS 3** and **4**
- Do not remove screws
- Attach **RIGHT SIDE FRONT PANEL 5** and **LEFT SIDE FRONT PANEL 6**
- Tighten 6 screws on **RIGHT SIDE FRONT PANEL 5** and **LEFT SIDE FRONT PANEL 6**

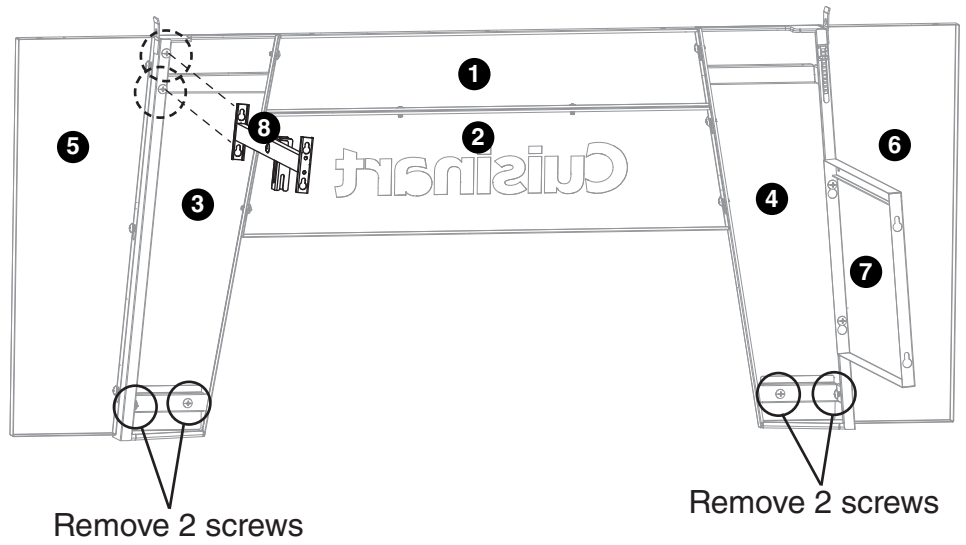
### Step 4



- Loosen 2 screws
- Attach **LEFT SIDE PANEL 7**
- Tighten 2 screws on **LEFT SIDE PANEL 7**

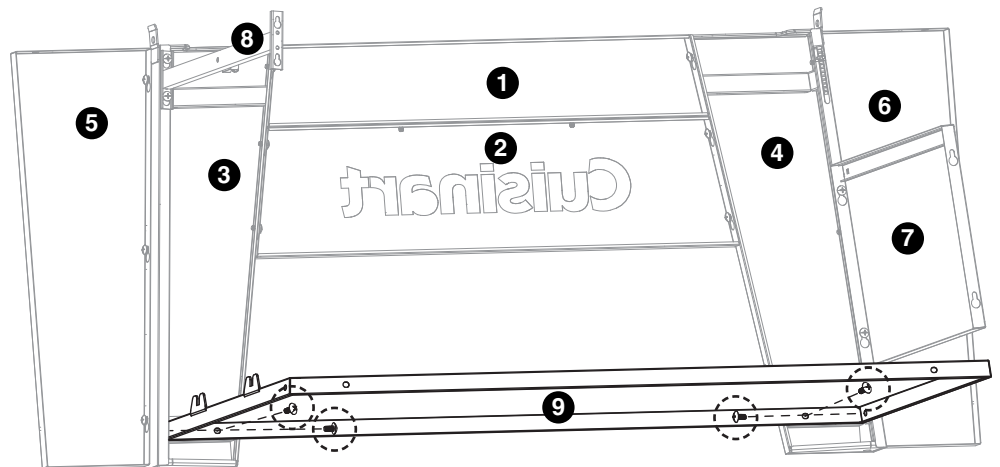
## Step 5

- Loosen 2 screws
- Attach **CART BRACE 8**
- Tighten 2 screws on **CART BRACE 8**
- Remove 4 screws

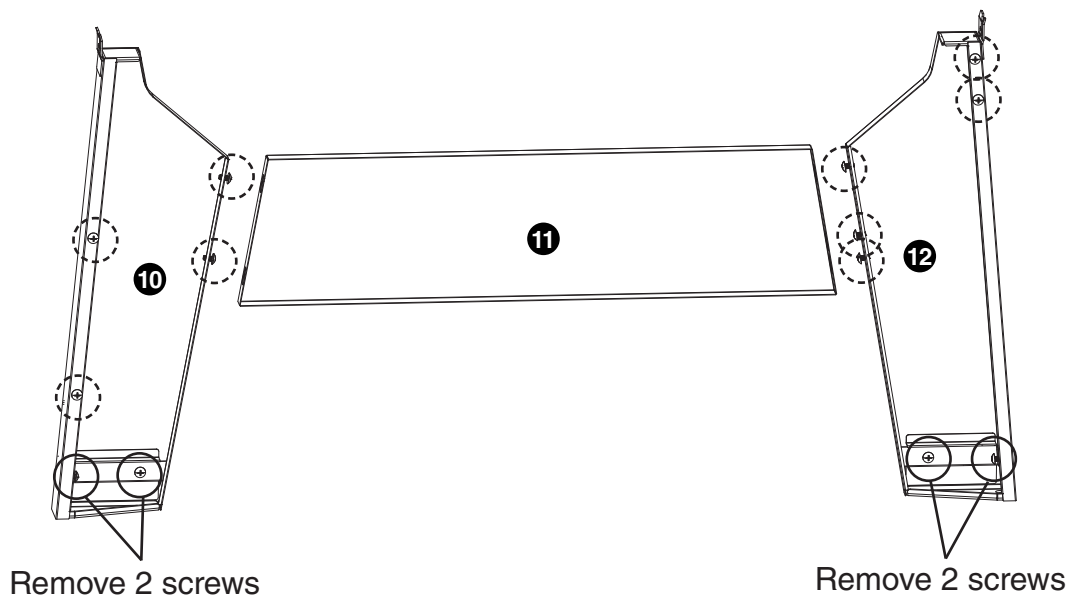


## Step 6

- Attach **CART BASE 9**
- Tighten 4 screws  
(Removed from  
Step 5)

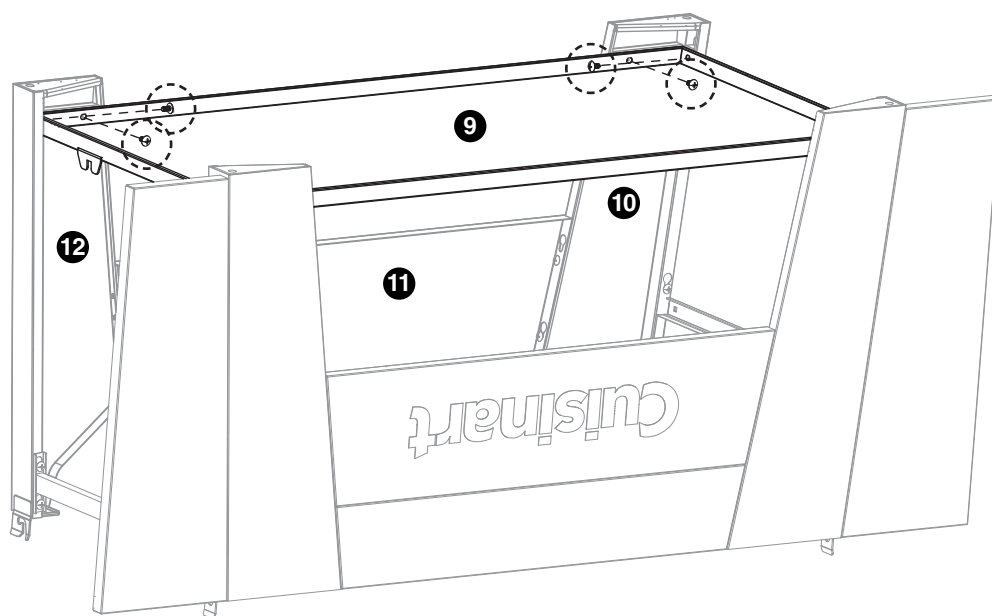


## Step 7



- Loosen 9 screws on **REAR LEGS 10** and **12**
- Attach **BACK PANEL 11** to **REAR LEGS 10** and **12**
- Tighten 5 screws
- Remove 4 screws

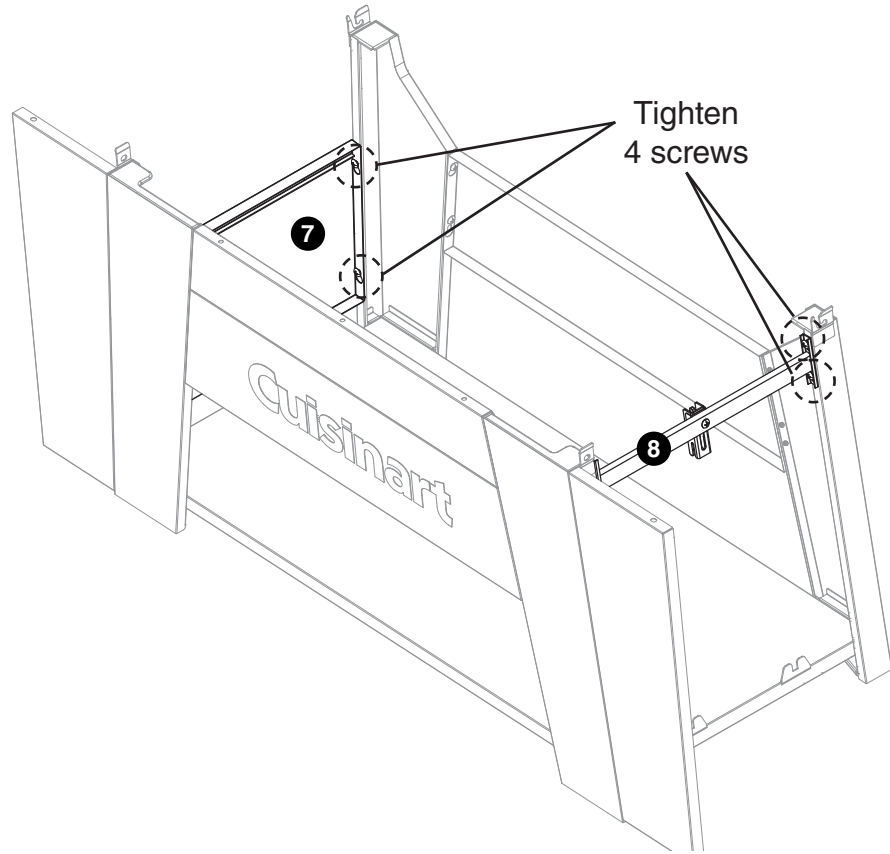
## Step 8



- Attach **CART BASE 9** to rear legs
- Tighten 4 screws (Removed from Step 7)

## Step 9

- Attach **LEFT SIDE PANEL 6** and **CART BRACE 8**
- Tighten 4 screws



## Step 10

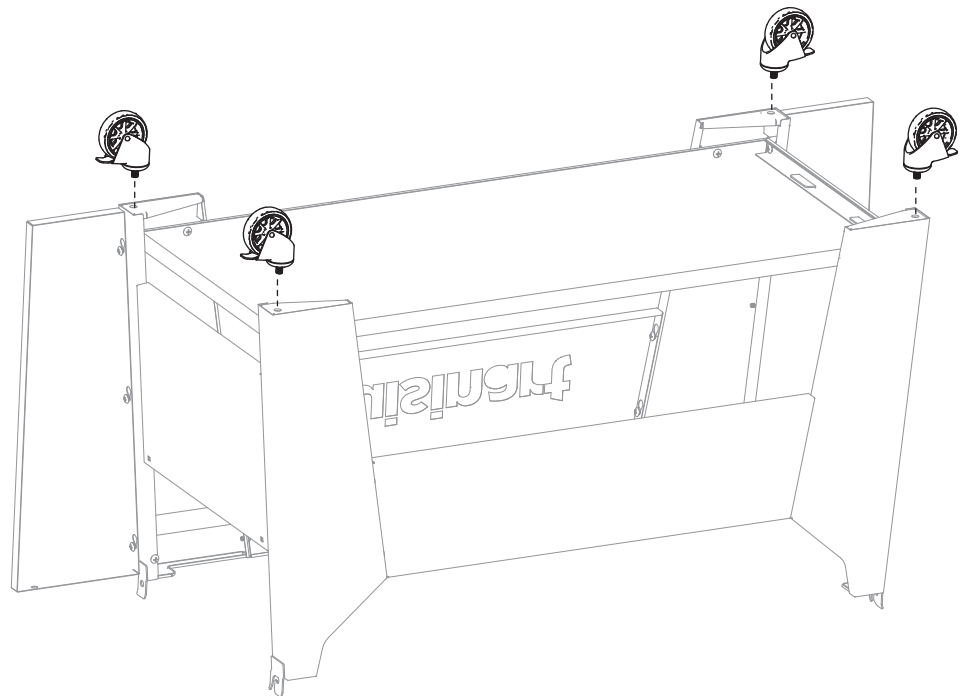
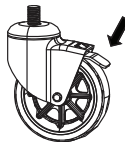
- Lock **CASTERS 24**
- Attach **CASTERS 24** to legs

### 24 CASTERS

unlocked

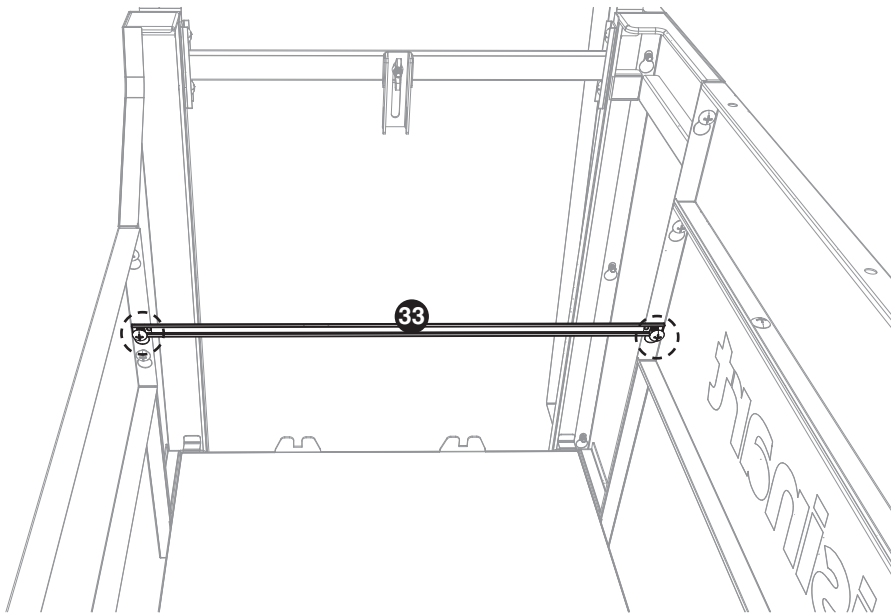


locked



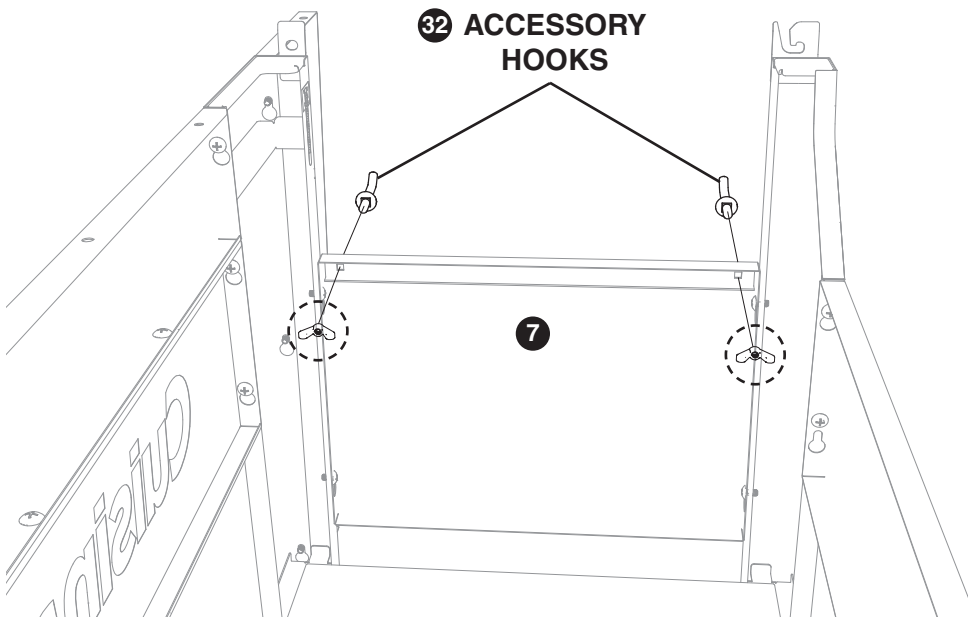


## Step 11



- Loosen 2 screws
- Install **TANK BLOCK BAR 33**
- Tighten screws

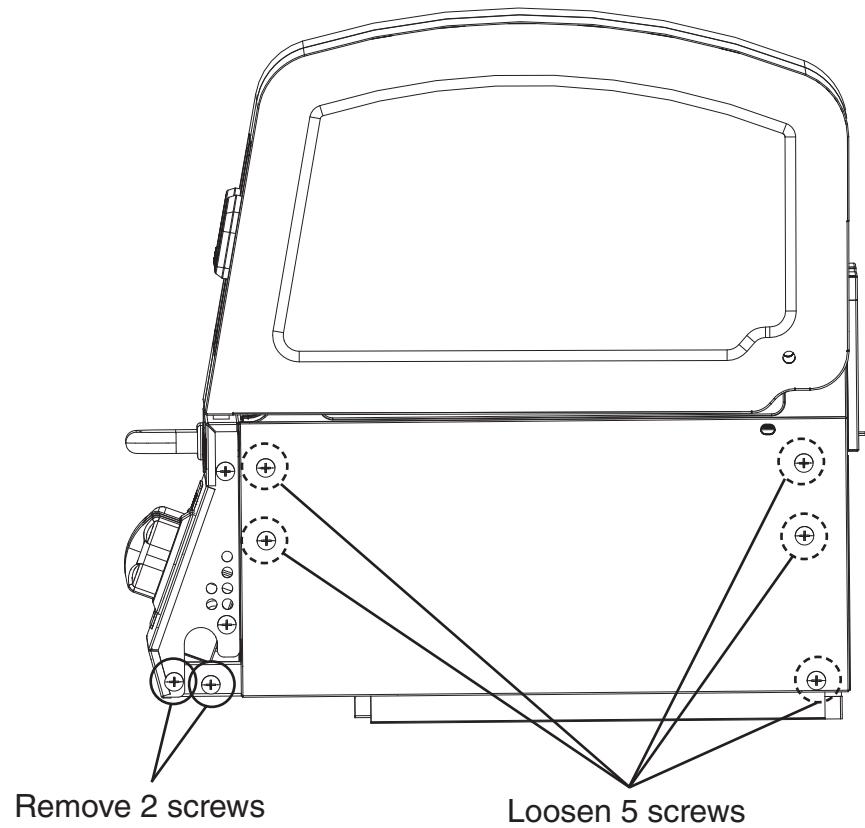
## Step 12



- Attach **ACCESSORY HOOKS 32** to **LEFT SIDE PANEL 7** with wing nuts

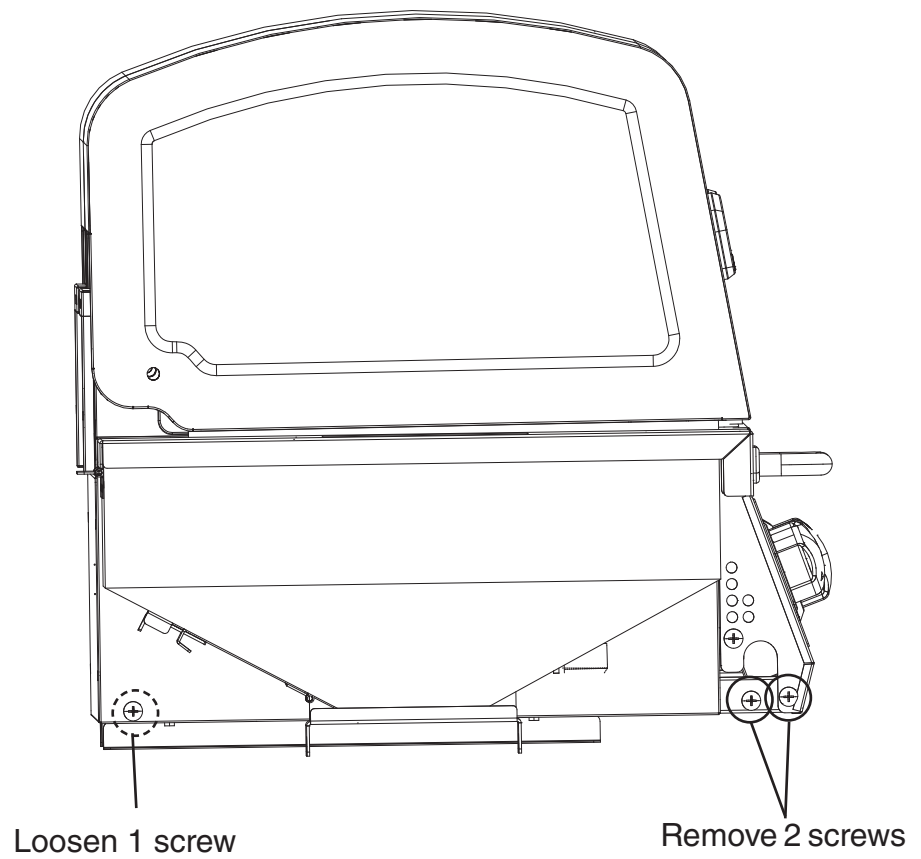
## Step 13

- Loosen 5 screws
- Remove 2 screws

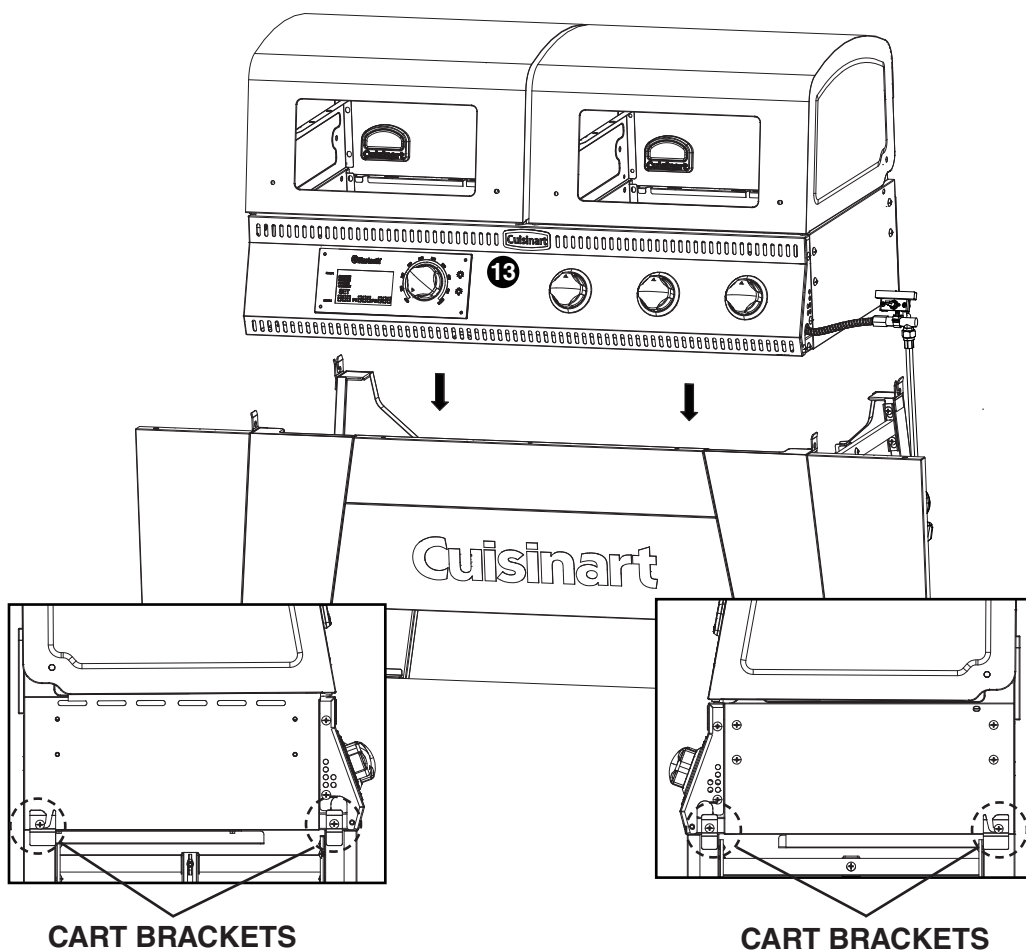


## Step 14

- Loosen 1 screw
- Remove 2 screws

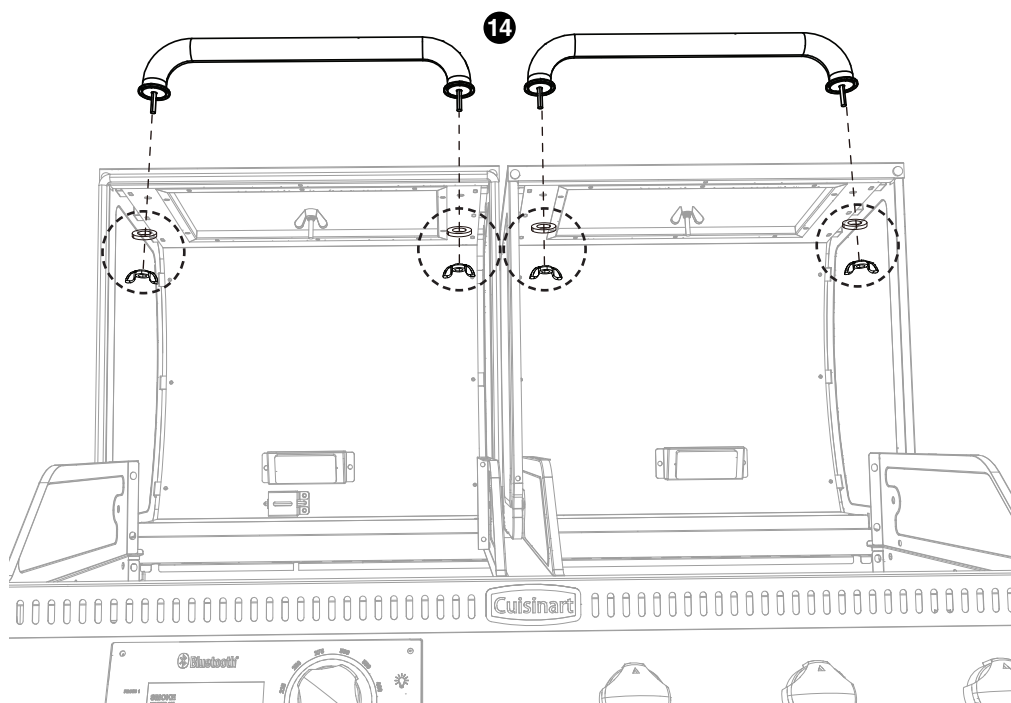


## Step 15



- Set **GRILL BODY 13** on cart
- Make sure screw drops into rear cart brackets
- Push **GRILL BODY 13** to back of cart
- Install 2 screws in **FRONT BRACKETS** (Removed from Step 13 and Step 14)
- Tighten 4 screws on cart brackets (2 screws left over will be used in future steps)

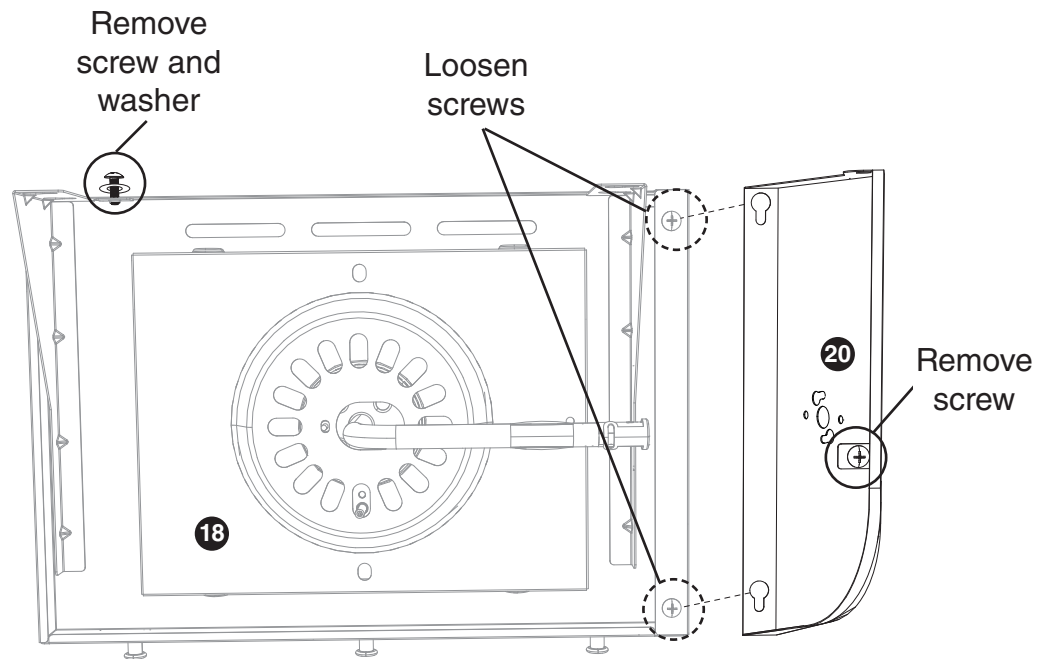
## Step 16



- Install **HOOD HANDLES 14** (Wing nuts, bezels and washers are pre-installed on handles)

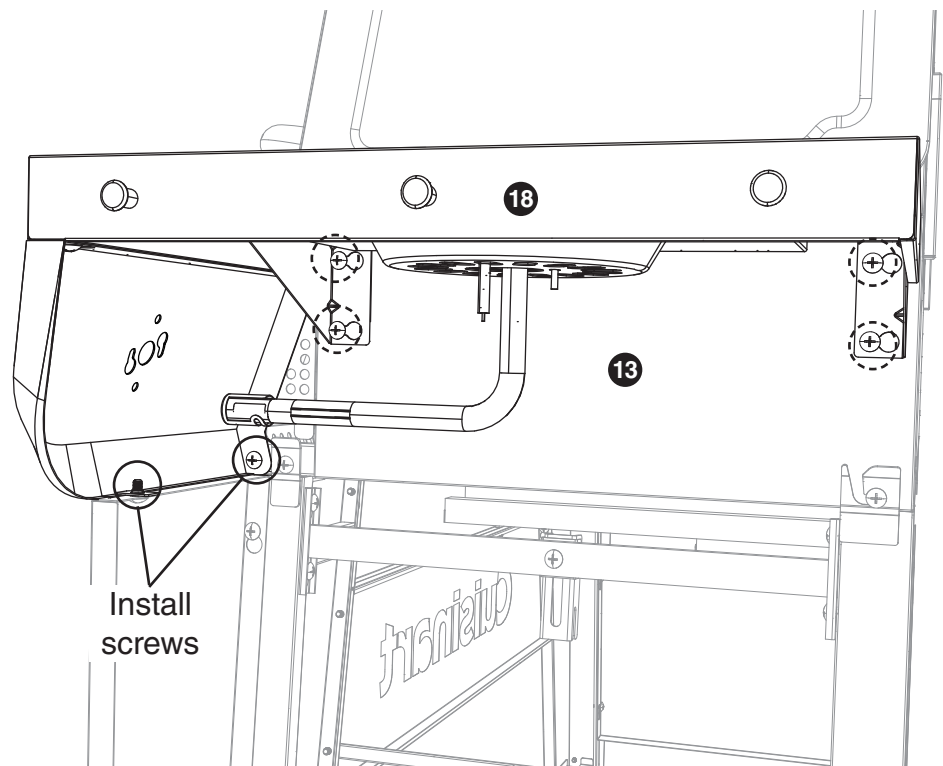
## Step 17

- Loosen 2 screws
- Attach **RIGHT SIDE CONTROL PANEL 20** to **RIGHT SIDE TABLE 18** using keyholes
- Tighten 2 screws
- Remove 2 screws and washer

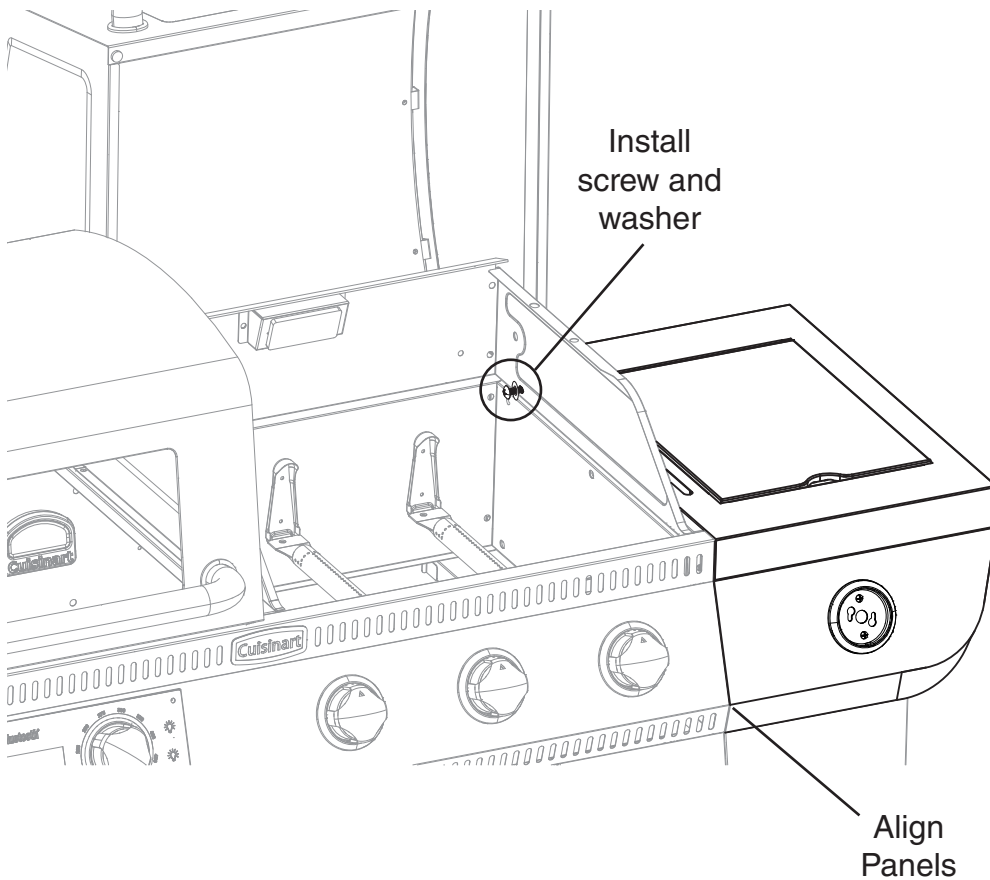


## Step 18

- Attach **RIGHT SIDE TABLE 18** to **GRILL BODY 13** using keyholes
- Do not tighten screws at this time
- Install and tighten 2 screws (Removed from Step 13 and Step 17)

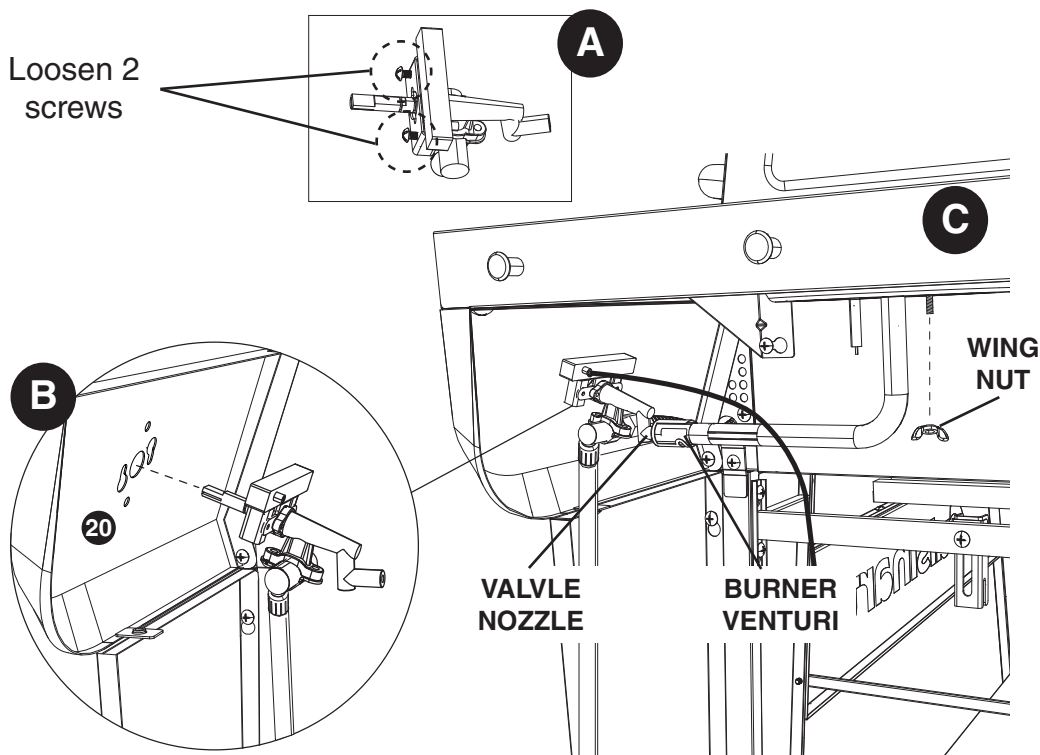


## Step 19



- Install screw and washer (Removed from Step 17)
- Make sure control panels are aligned
- Tighten 5 screws from Step 18 and Step 19

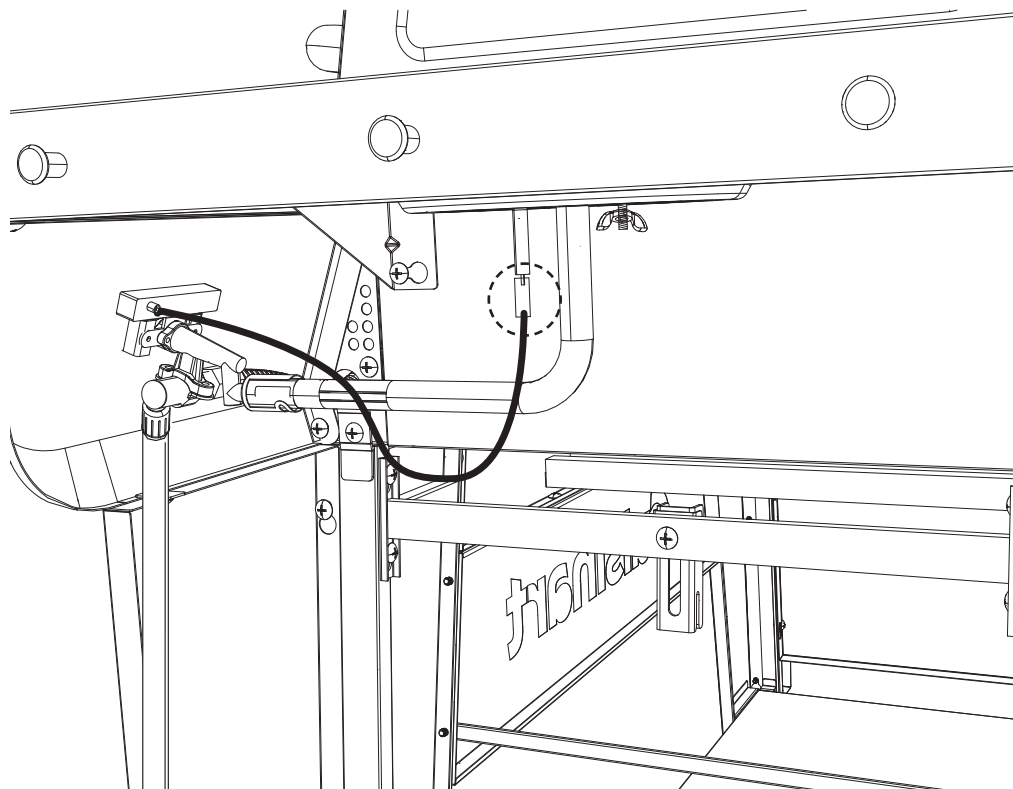
## Step 20



- Remove **WING NUT** and **SIDE BURNER**
- Loosen 2 screws from **SIDE BURNER VALVE A**
- Install **SIDE BURNER VALVE** using keyholes in **RIGHT SIDE CONTROL PANEL 20** and tighten screws **B**
- Install **SIDE BURNER** and make sure **BURNER VENTURI** fits over **VALVE NOZZLE C**
- Tighten **WING NUT C**

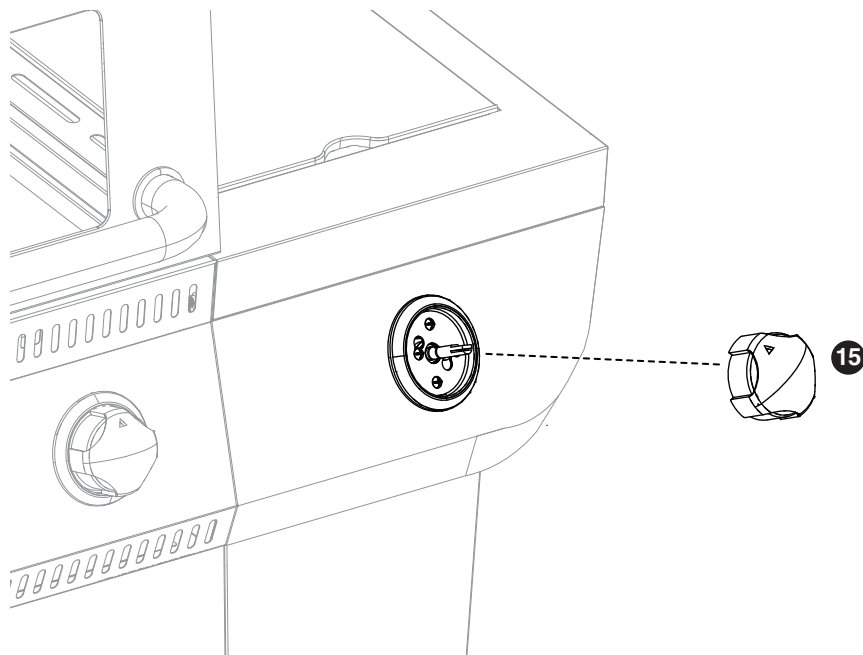
## Step 21

- Attach **ELECTRODE WIRE** to **IGNITOR**



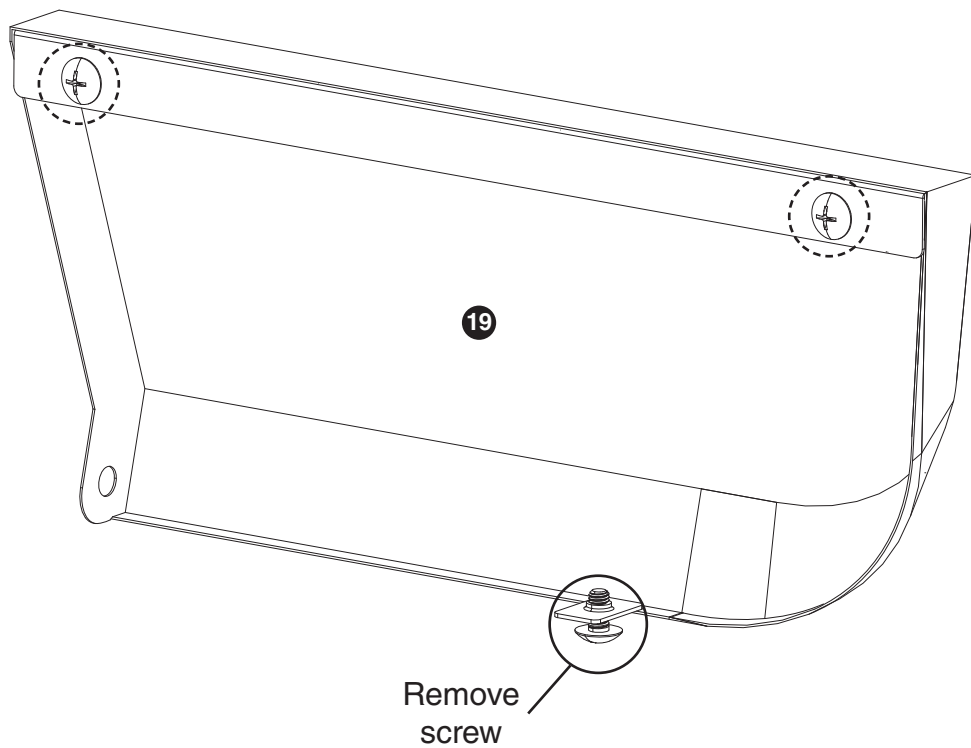
## Step 22

- Attach **CONTROL KNOB 15**



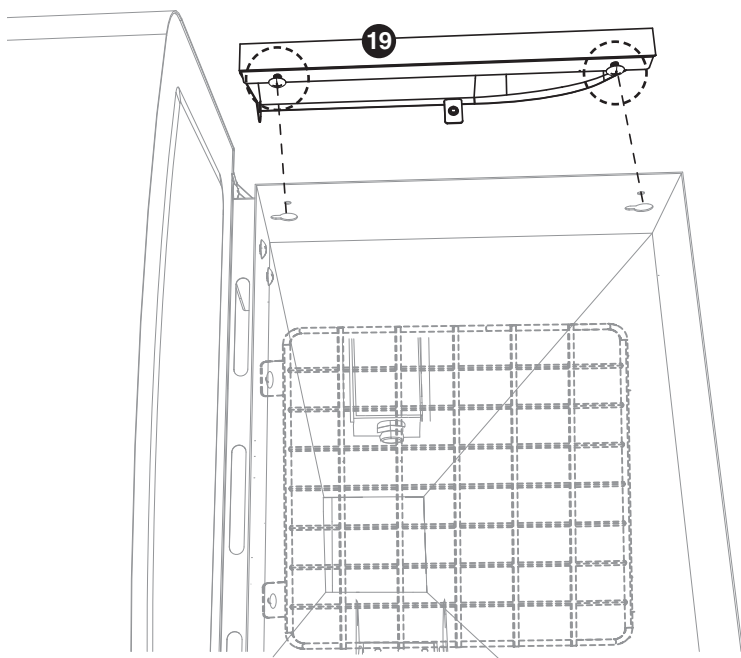
## Step 23

- Loosen 2 screws from **LEFT SIDE CONTROL PANEL 19**
- Remove 1 screw



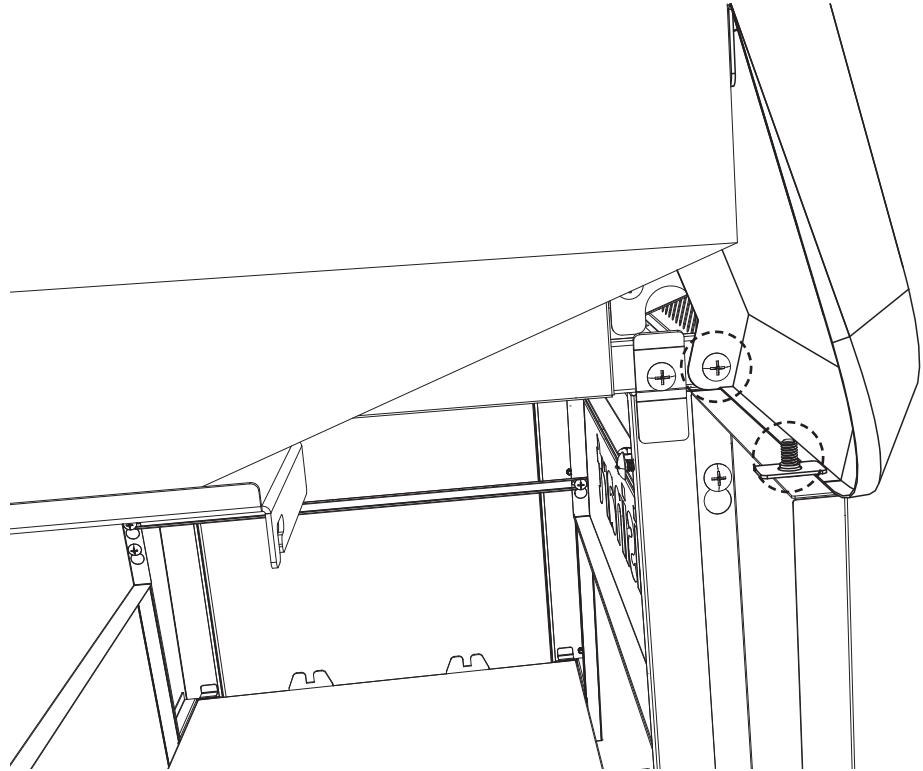
## Step 24

- Attach **LEFT SIDE CONTROL PANEL 19** to **PELLET HOPPER** using keyholes



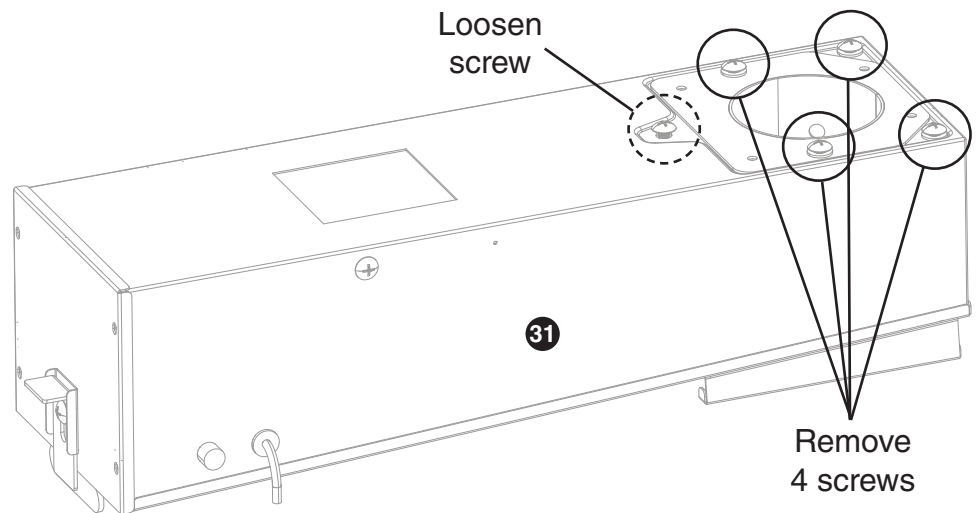
## Step 25

- Install and tighten 2 screws (Removed from Step 14 and Step 23)



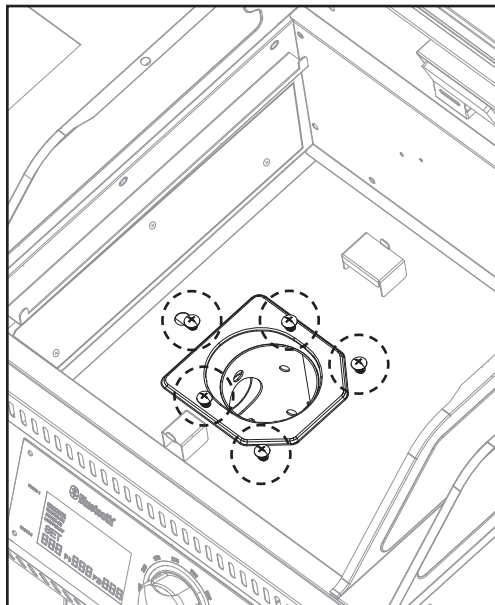
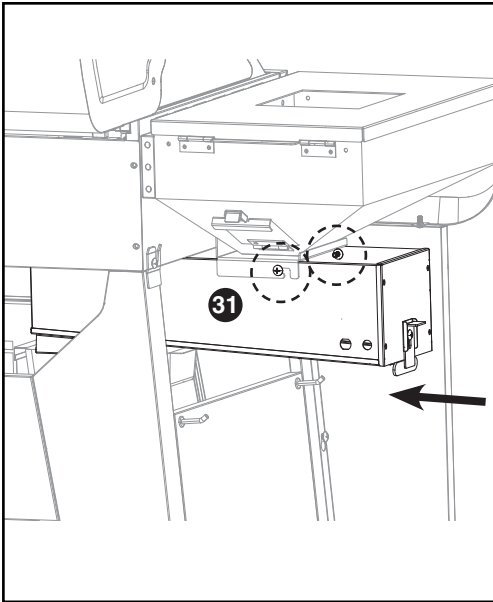
## Step 26

- Remove 4 screws and washers from **AUGER HOUSING 31**
- Loosen 1 screw

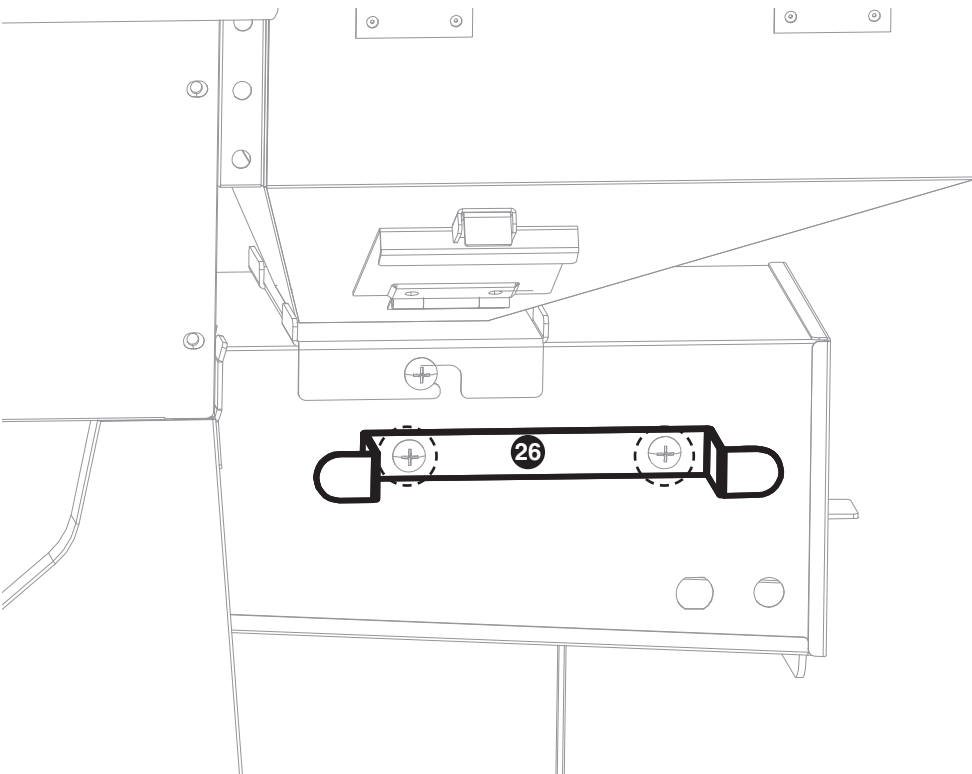




## Step 27



- Install **AUGER HOUSING 31** using keyhole in firebox and slots in pellet hopper bracket
- Tighten 5 screws and washers in firebox

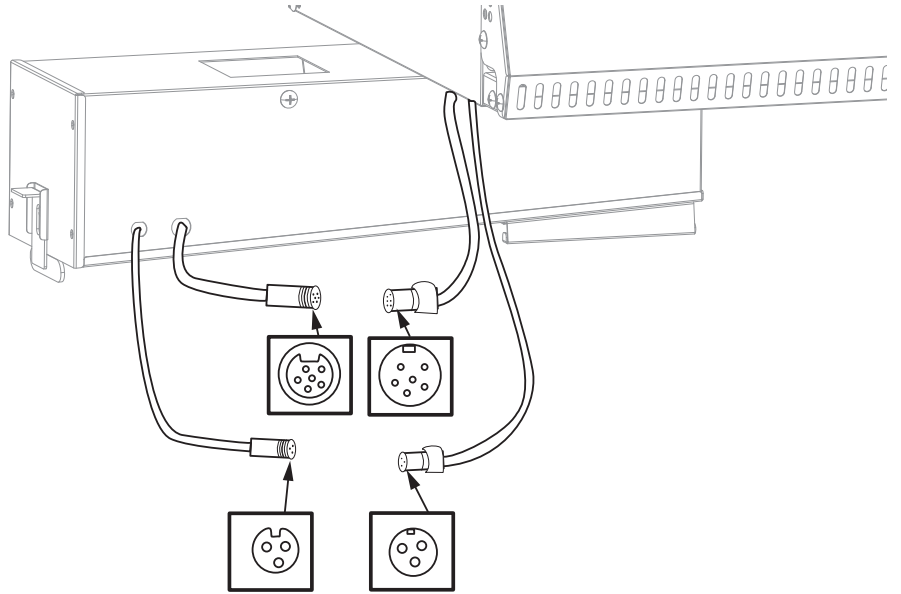


## Step 28

- Remove 2 screws
- Attach **CORD WRAP 26** using 2 screws

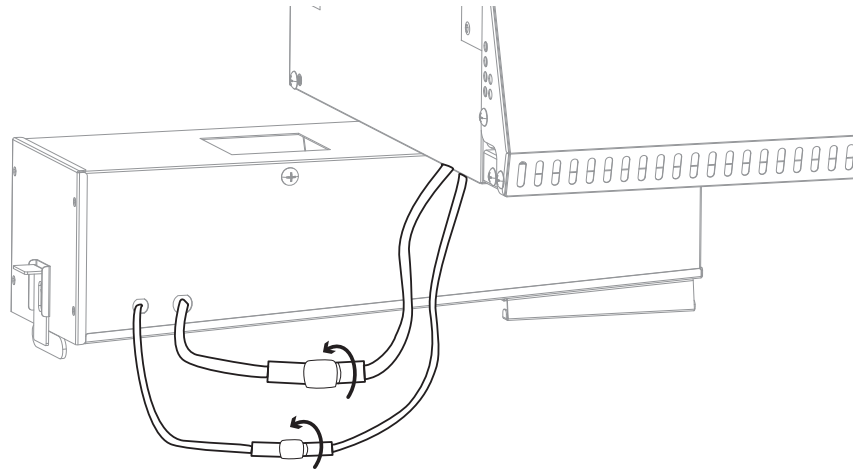
## Step 29a

- Connect wiring for Controller and Pellet Sensor
- These wires can only be connected one way
- Make sure the connectors are lined up properly before tightening



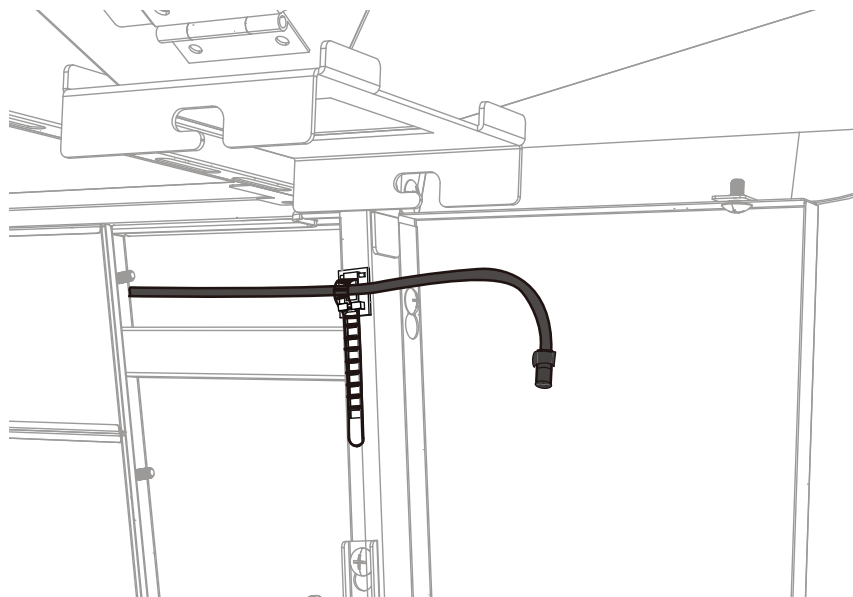
## Step 29b

- Once connected, twist to tighten



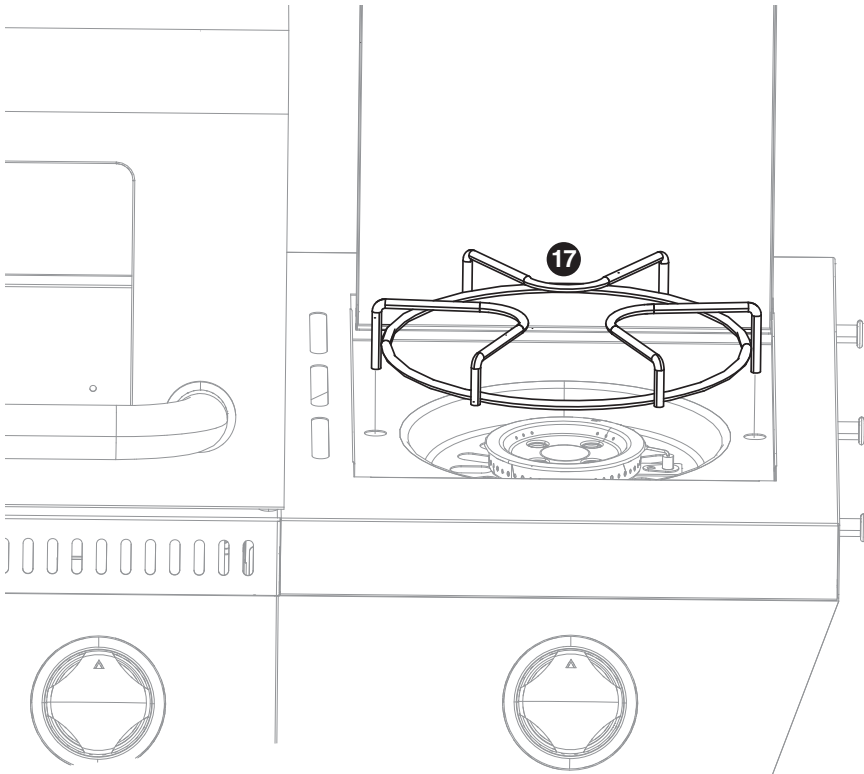
## Step 29c

- Secure wiring with cord clip.



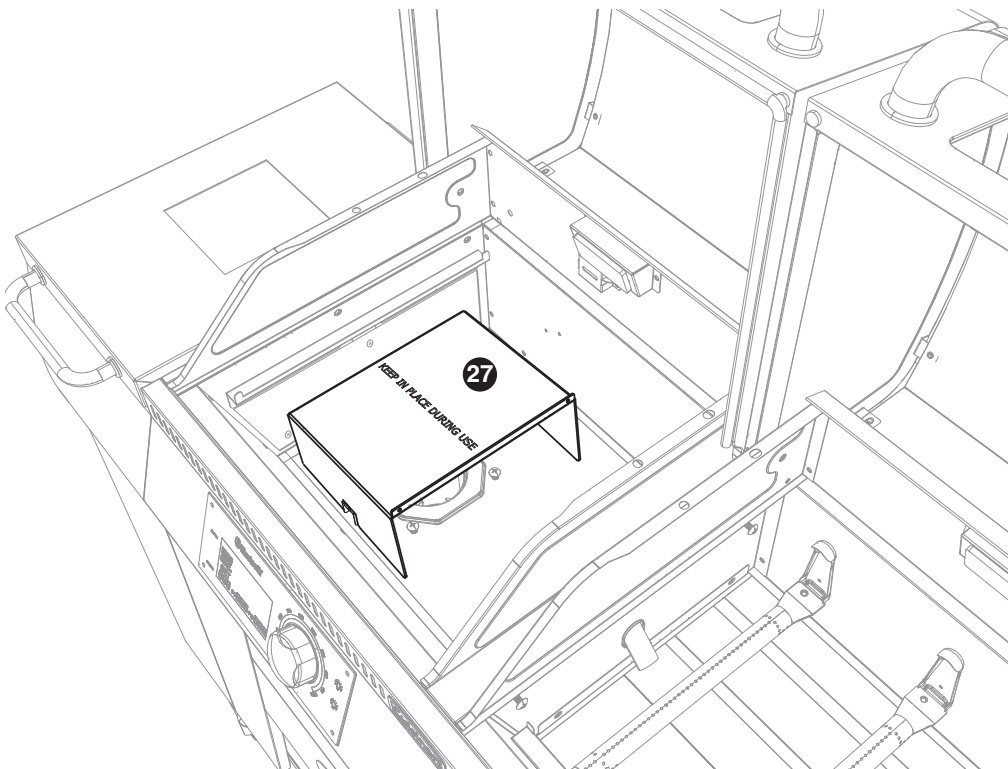
## Step 30

- Install **SIDE BURNER GRATE 17**



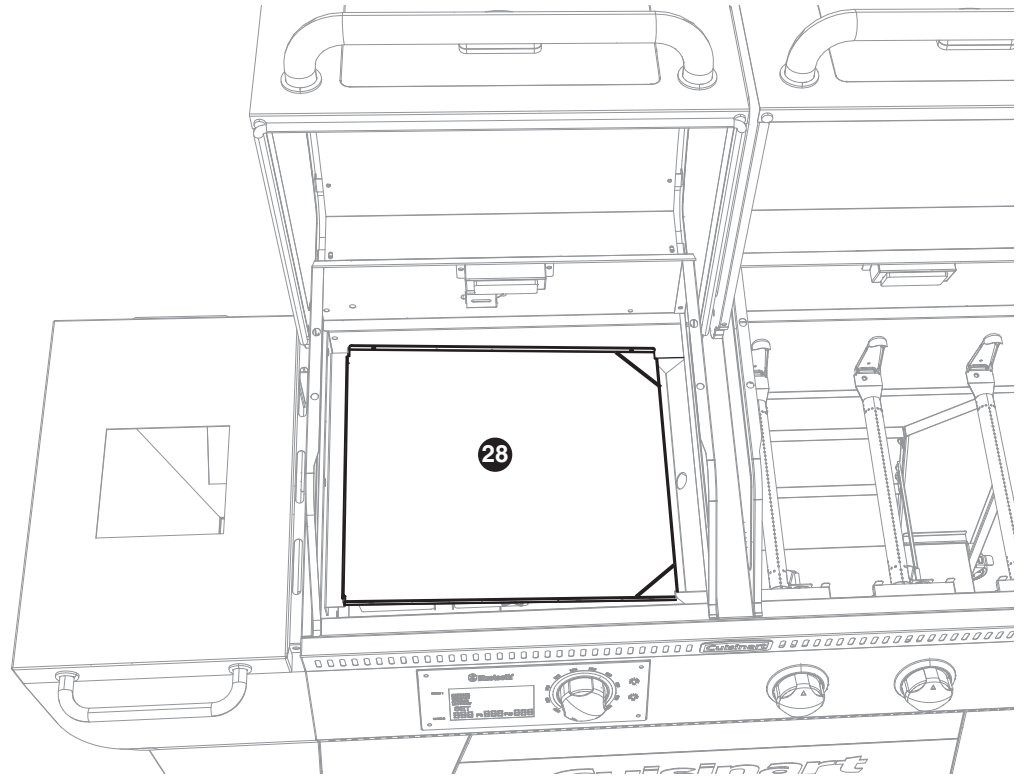
## Step 31

- Attach **HEAT BAFFLE 27**



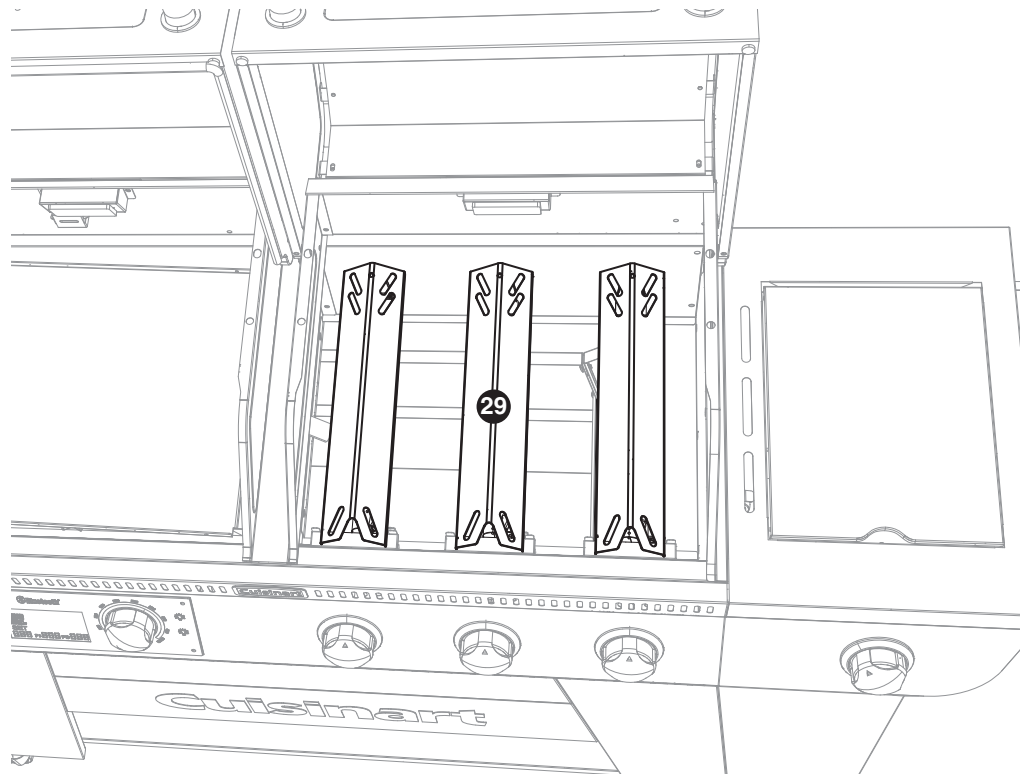
## Step 32

- Install **HEAT PLATE 28** on welded brackets



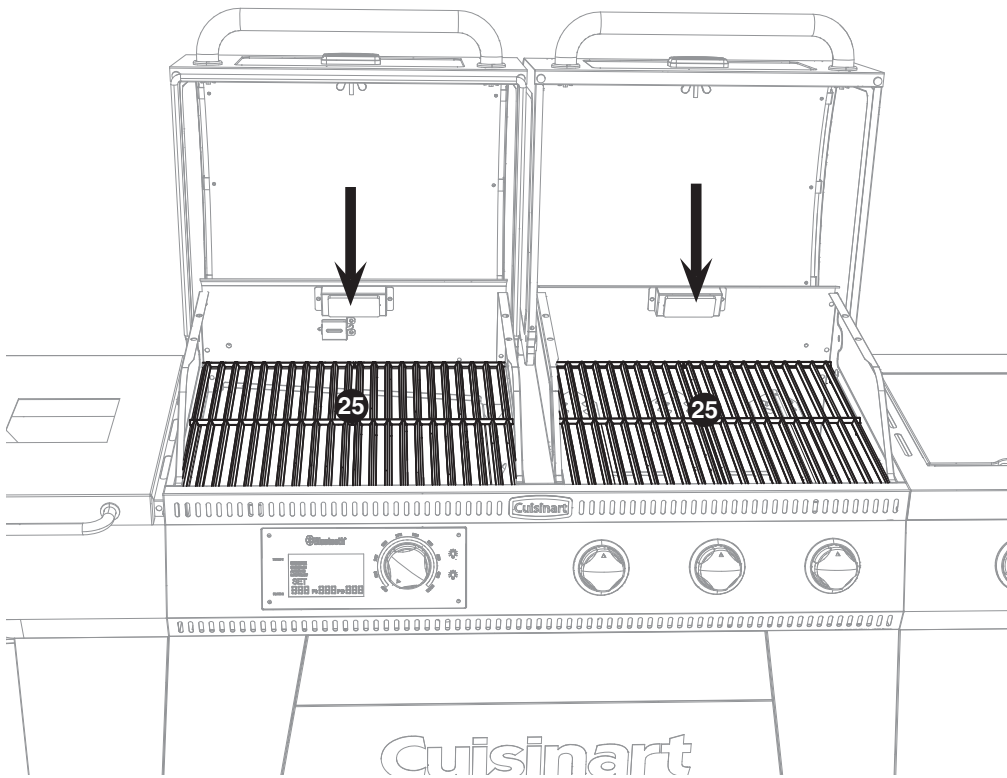
## Step 33

- Install **HEAT TENTS 29** above each burner



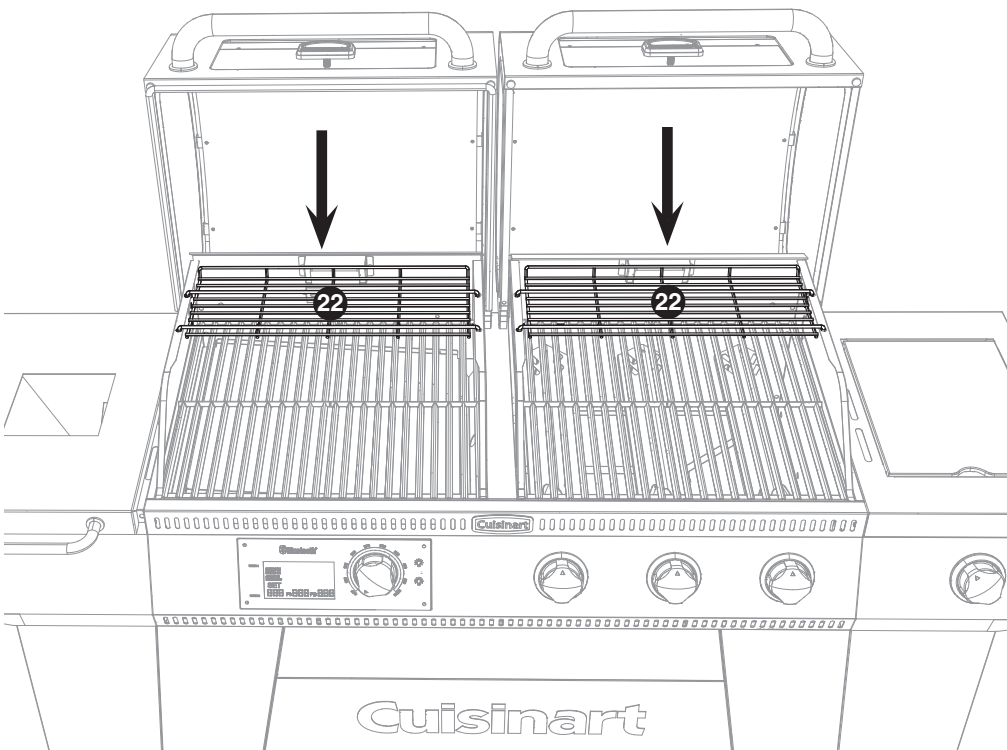
## Step 34

- Install **COOKING GRATES** 25



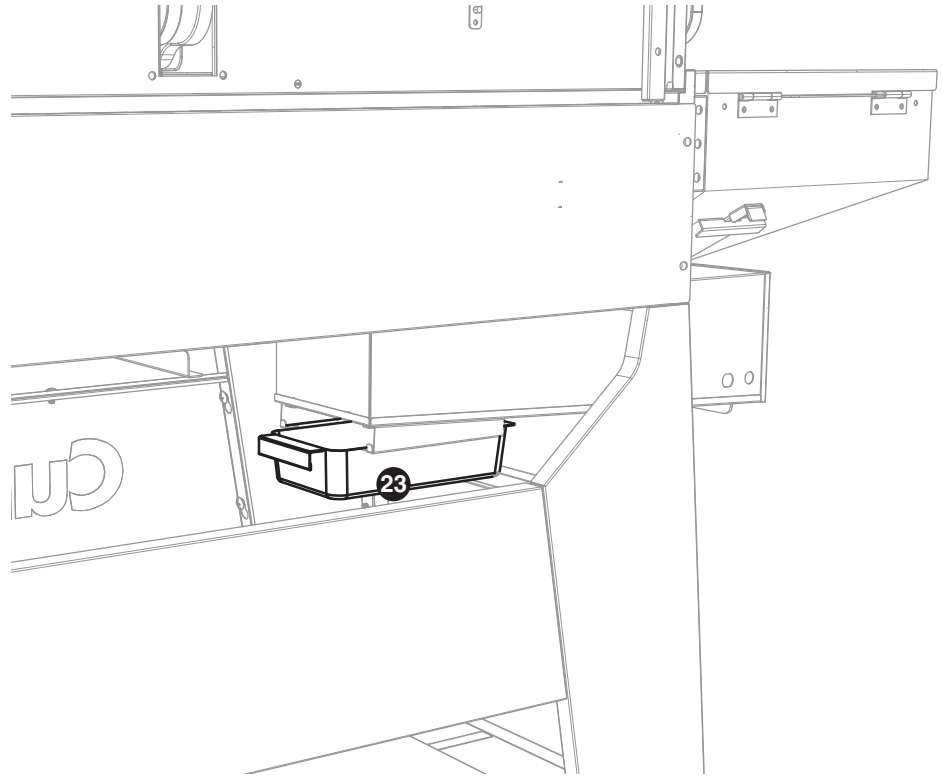
## Step 35

- Install **WARMING RACKS** 22



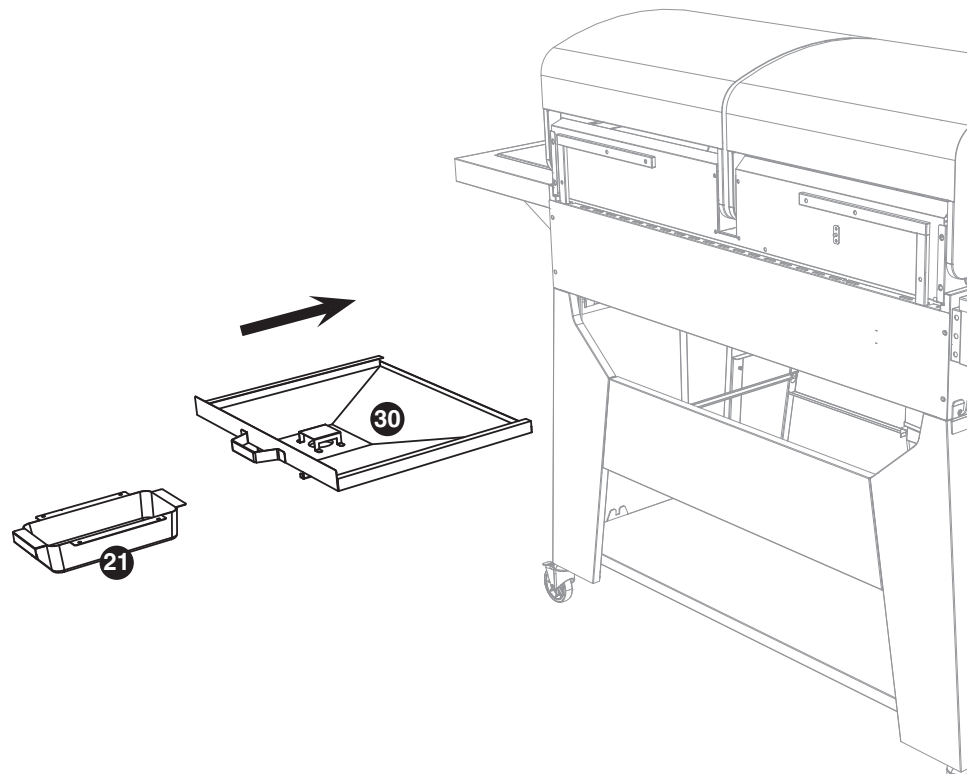
## Step 36

- Install **ASH CATCHER 23**



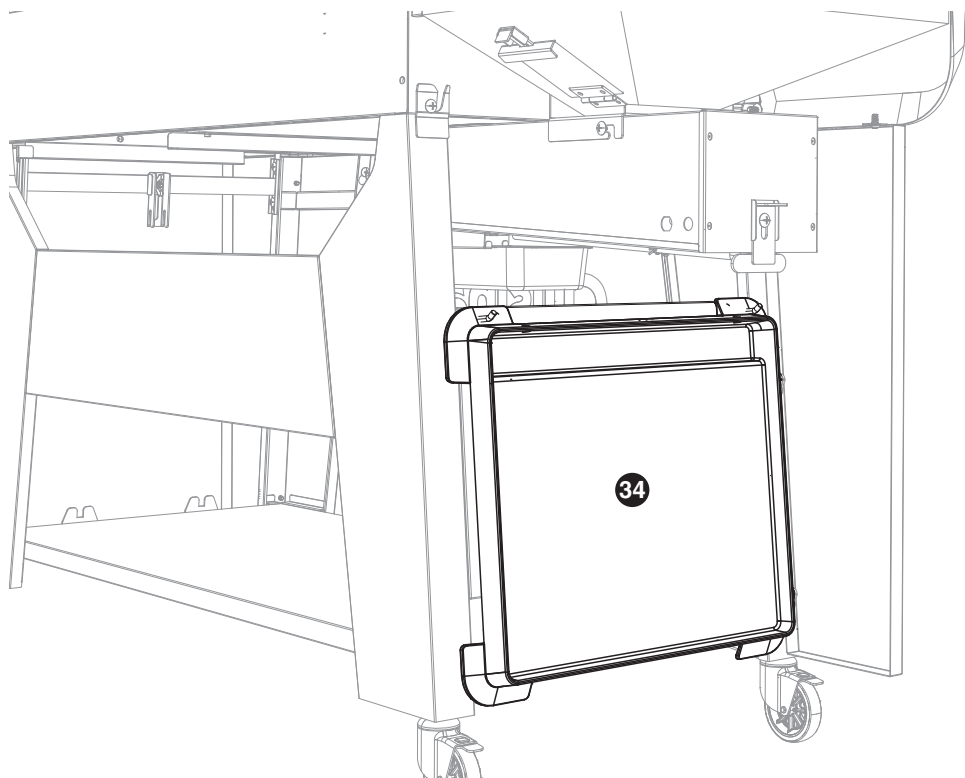
## Step 37

- Install **GREASE TRAY 30**  
and **GREASE CUP 21**  
through back of grill



## Step 38

- Store **GRIDDLE 34** on **ACCESSORY HOOKS 32**



# Model GAS0356AS / GAS0356AS0 Assembled

