

# Albeo® LED Luminaire

## Heavy Industrial High Bay Lighting (ALR2/AHG Series)



### BEFORE YOU BEGIN

Read these instructions completely and carefully.

### WARNING/AVERTISSEMENT

#### RISK OF ELECTRIC SHOCK

- Turn power off before inspection, installation or removal.
- Properly ground electrical enclosure.

#### RISK OF FIRE

- Follow all NEC and local codes.
- Use only UL or IEC approved wire for input/output connections. Minimum size 18 AWG.

#### RISQUES DE DÉCHARGES ÉLECTRIQUES

- Coupez l'alimentation avant d'inspecter, installer ou déplacer le luminaire.
- Assurez-vous de correctement mettre à la terre le boîtier d'alimentation électrique.

#### RISQUES D'INCENDIE

- Respectez tous les codes NEC et codes locaux.
- N'utilisez que des fils approuvés par UL ou IEC pour les entrées/sorties de connexion. Taille minimum 18 AWG.

This device complies with Part 15 of the FCC Rules. Operation is subject to the following two conditions: (1) This device may not cause harmful interference, and (2) this device must accept any interference received, including interference that may cause undesired operation. CAN ICES-005 (A) / NMB-005 (A)

Note: This equipment has been tested and found to comply with the limits for a Class A digital device, pursuant to part 15 of the FCC Rules. These limits are designed to provide reasonable protection against harmful interference when the equipment is operated in a commercial environment. This equipment generates, uses, and can radiate radio frequency energy and, if not installed and used in accordance with the instruction manual, may cause harmful interference to radio communications. Operation of this equipment in a residential area is likely to cause harmful interference in which case the user will be required to correct the interference at his own expense.

## Save These Instructions

Use only in the manner intended by the manufacturer. If you have any questions, contact the manufacturer.

## Prepare Electrical Wiring



#### Electrical Requirements

The LED driver must be supplied with 120-480 VAC, 50/60 Hz per product label and connected to an individual properly grounded branch circuit, protected by a 15 or 20 ampere circuit breaker.

## Features

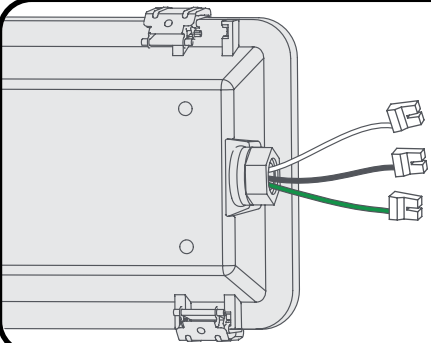
- 5 year warranty
- Wet location rated



#### Grounding Instructions

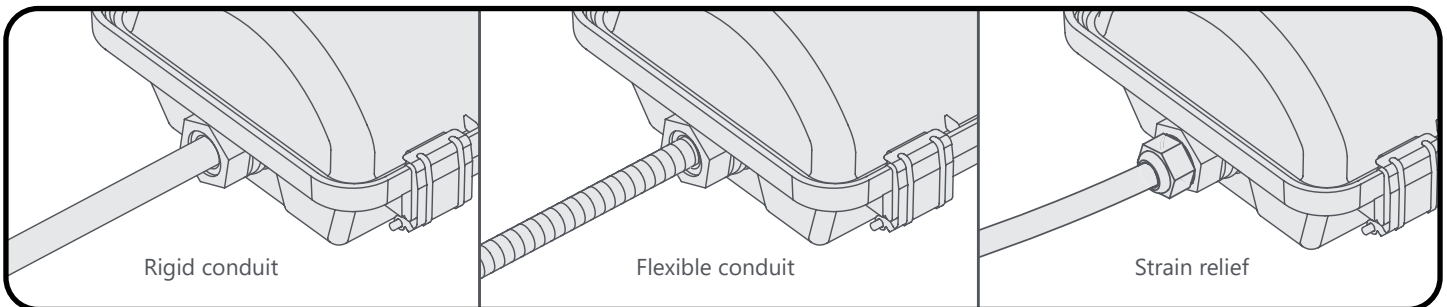
The grounding and bonding of the overall system shall be done in accordance with National Electric Code (NEC) Article 600 and local codes.

## Installation



VOLTAGE	LINE	NEUTRAL	GROUND	+ DIM	- DIM
120/277V	Black	White	Green	Violet/ White Stripe	Gray
347/480V (Factory installed cable)					
347/480V	Red	Black	Green		

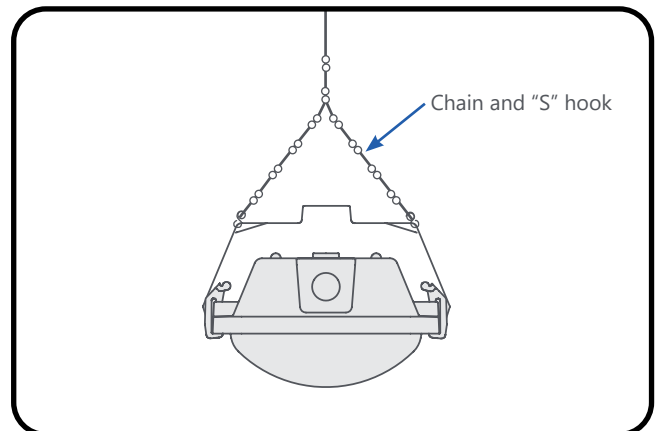
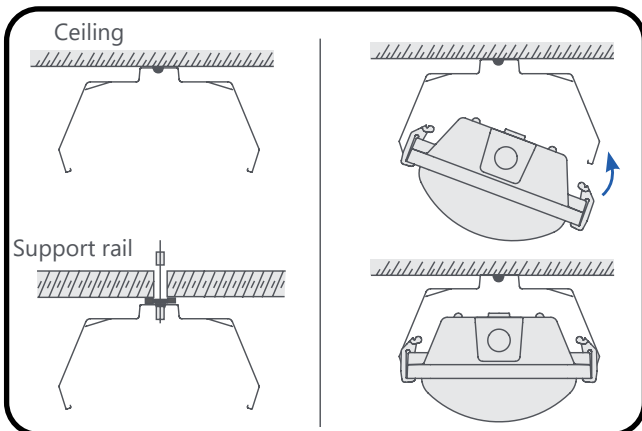
1 Turn off power to the fixture and make the appropriate wiring connections.



2 Connect a rigid conduit or flexible conduit or strain relief and feed the AC line wire through the fitting.

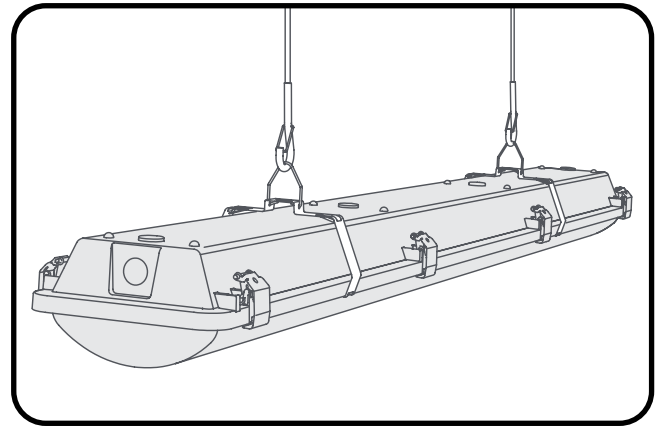
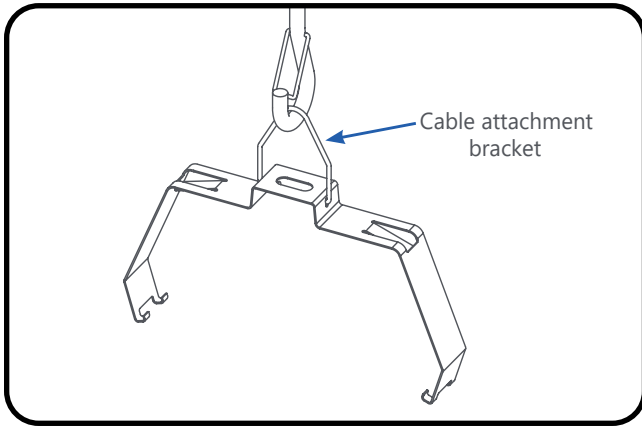
## Mounting Instructions

### Standard Mount



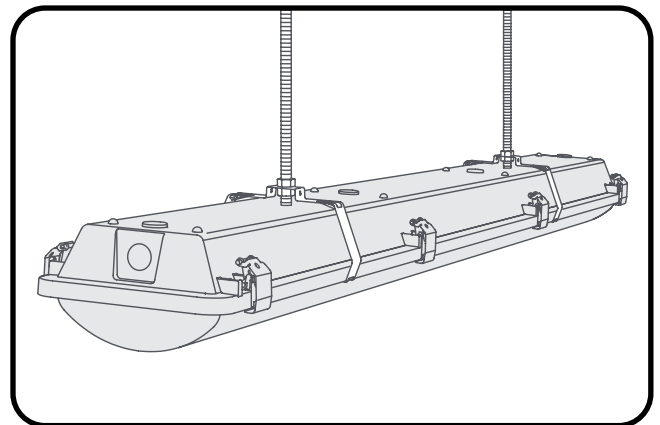
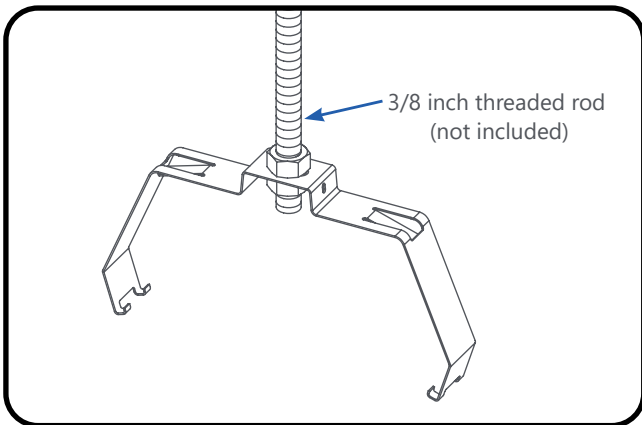
Mount the wrap-around brackets on the ceiling or support rail using appropriate hardware. After brackets are secured in place, install one side of the housing in the bracket, then rotate up and snap the other side of the housing into bracket. Chain and "S" hook (not included) can also be used to support the brackets.

### Cable Mount



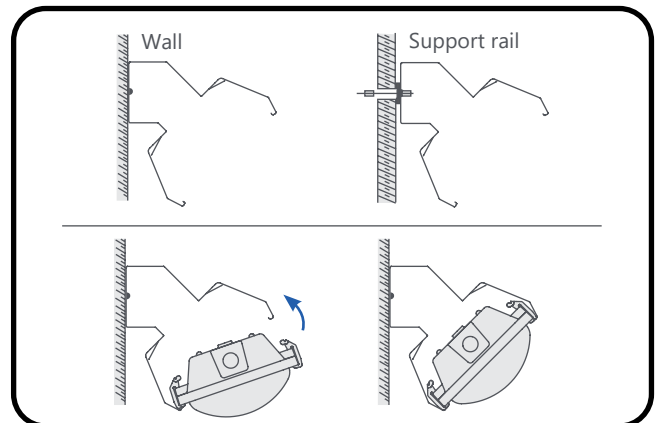
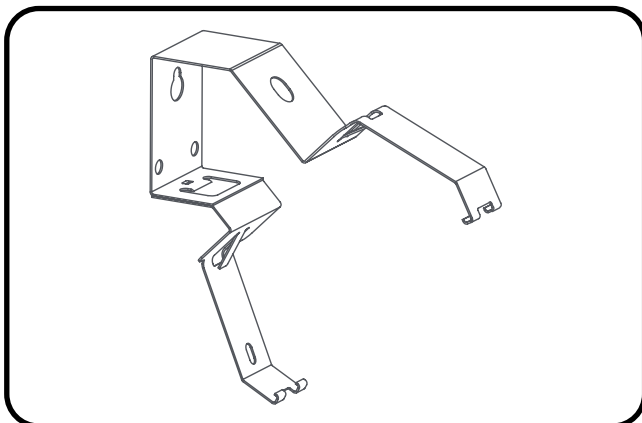
Snap the cable attachment bracket to the standard wrap-around brackets. Use appropriate cables to hang the fixture.

### 3/8-inch Rod Mount



Mount the wrap-around brackets on the housing and then attach to the 3/8 inch rods using appropriate hardware.

### 45 Degree Wall Mount



Mount the wrap-around brackets on the wall or support rail using appropriate hardware. After brackets are secured in place, install one side of the housing in the bracket, then rotate up and snap the other side of the housing into the bracket.

## Troubleshooting

Symptom	Solution
Luminaire will not turn on	<ul style="list-style-type: none"><li>• Check that the color of the supply side wires match the color of the wires they are connected to.</li><li>• Check that all wire connectors are properly connected.</li><li>• Verify that your input voltage is within specs.</li><li>• If using any additional controls (i.e. wireless controls or motion sensors), please also verify that those are working properly and that the unit is setup to interface with the controllers.</li></ul>