

Lumination® LED Luminaire



LED Driver Replacement (BT Series)



BEFORE YOU BEGIN

Read these instructions completely and carefully.



WARNING/AVERTISSEMENT

RISK OF ELECTRIC SHOCK

- Turn power off before inspection, installation or removal.
- Properly ground electrical enclosure.

RISK OF FIRE

- Follow all NEC and local codes.
- Use only UL approved wire for input/output connections. Minimum size 18 AWG (0.75mm²).

RISQUES DE DÉCHARGES ÉLECTRIQUES

- Coupez l'alimentation avant d'inspecter, installer ou déplacer le luminaire.
- Assurez-vous de correctement mettre à la terre le boîtier d'alimentation électrique.

RISK OF FIRE

- Respectez tous les codes NEC et codes locaux.
- N'utilisez que des fils approuvés par UL pour les entrées/sorties de connexion. Taille minimum 18 AWG (0.75mm²).

Save These Instructions

Use only in the manner intended by the manufacturer. If you have any questions, contact the manufacturer.

Components Supplied

- Driver of luminaire

Tools and Components Required

- Slot or hex screwdriver
- UL-listed conduit connections per NEC/CEC for nominal conduit trades sizes 1/2" or 3/4"
- UL-listed wire connectors

Specifications

Description Code	Corresponding Luminaires
BT22 14 (dimnable) GE driver (0-10V dimming)	BT22 and BT14 Series
BT24 (dimnable) GE driver (0-10V dimming)	BT24 Series
BT 22 24 D (dimnable) GE driver (0-10V dimming)	BT22 and BT24 low lumen Series

Prepare Electrical Wiring



Electrical Requirements

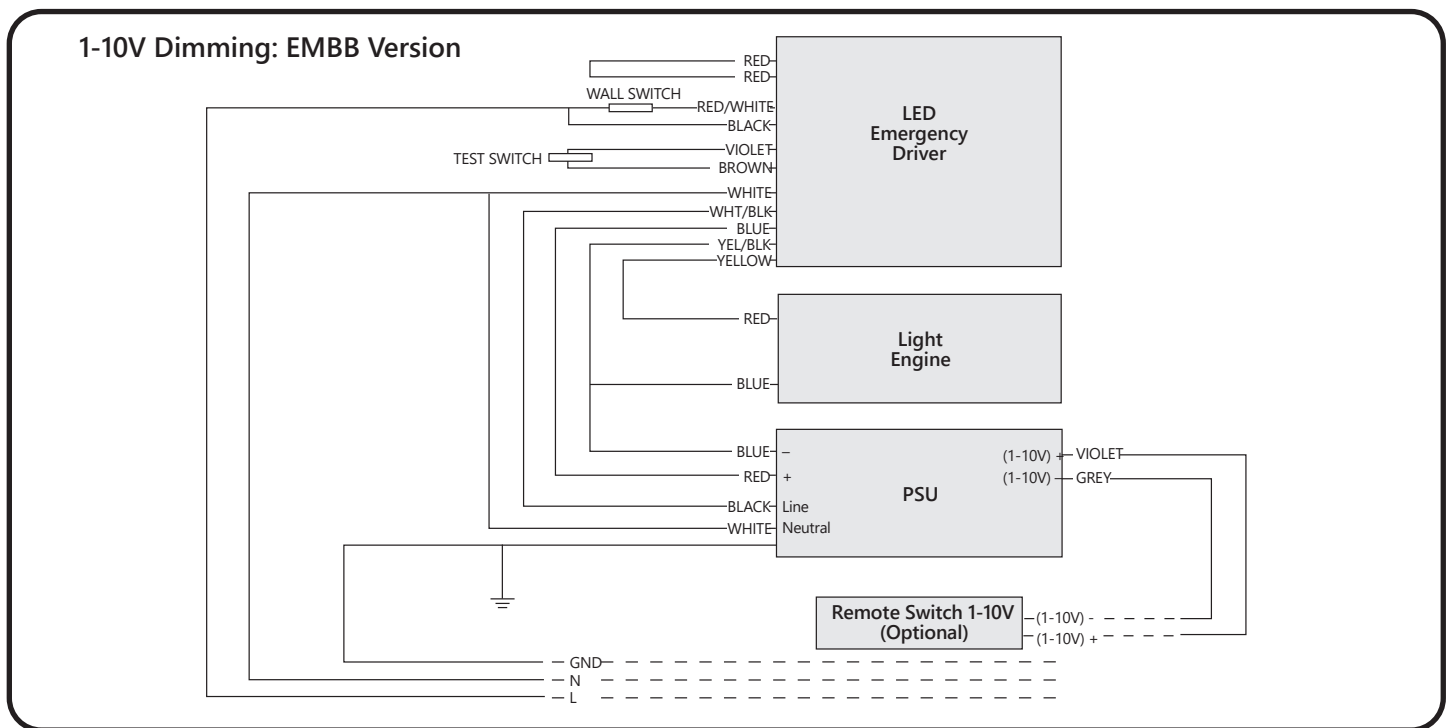
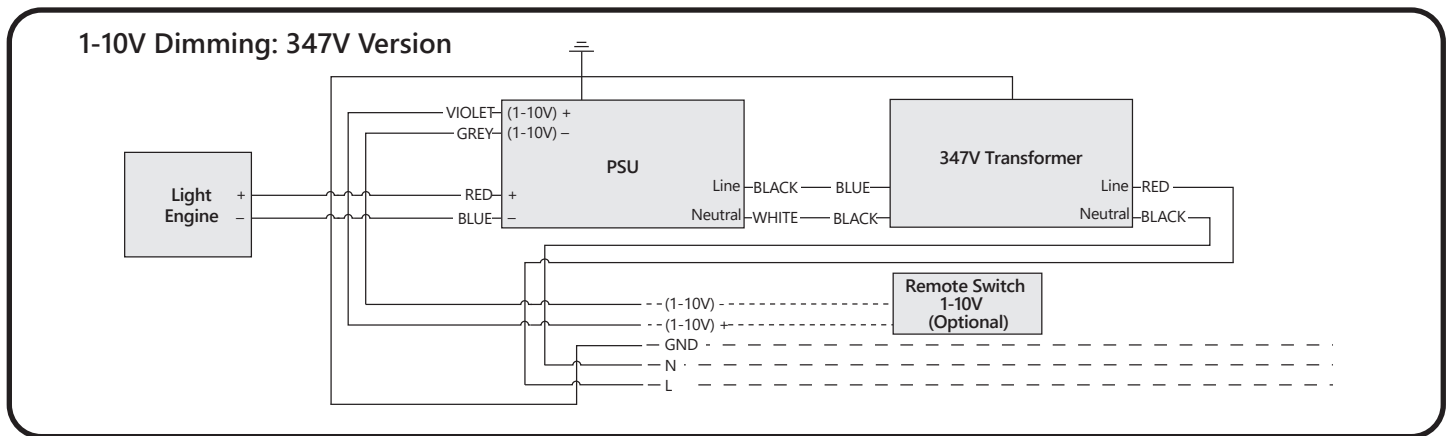
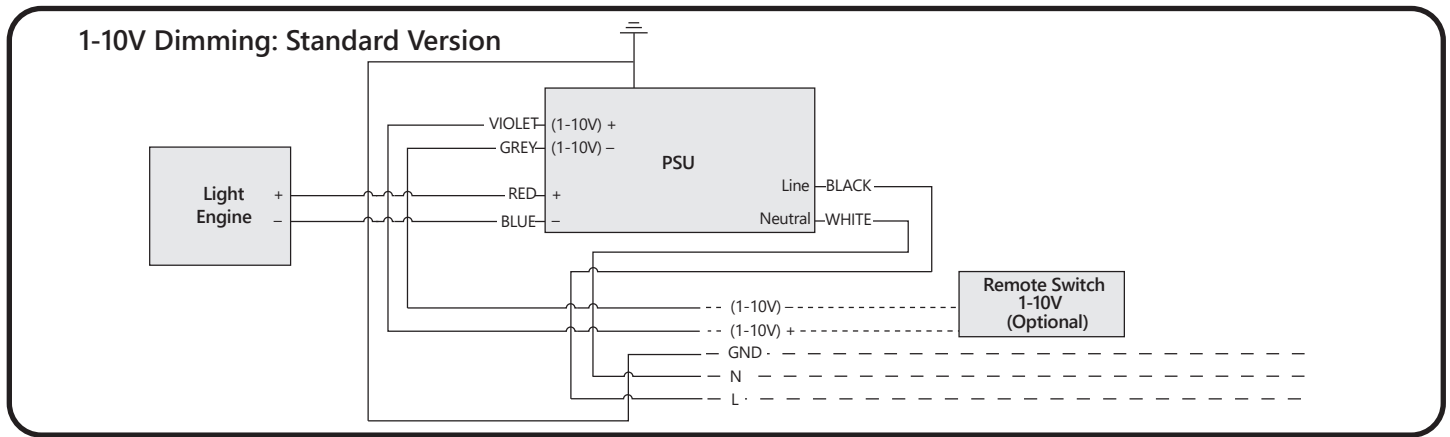
- The LED driver must be supplied with 120-277 VAC or 347VAC, 50/60 Hz and connected to an individual properly grounded branch circuit, protected by a 20 ampere circuit breaker. Use min. 75°C supply conductor.



Grounding Instructions

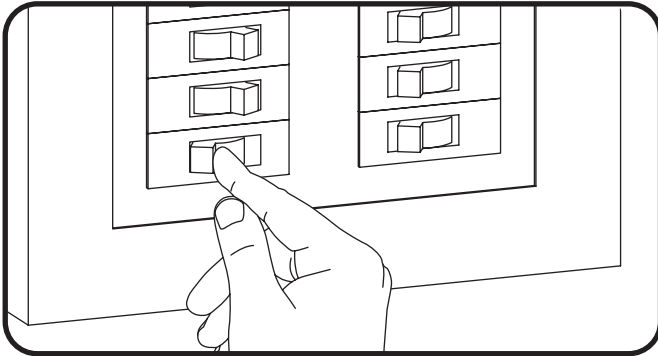
- The grounding and bonding of the overall system shall be done in accordance with National Electric Code (NEC) Article 600 and local codes.

Wiring Diagrams

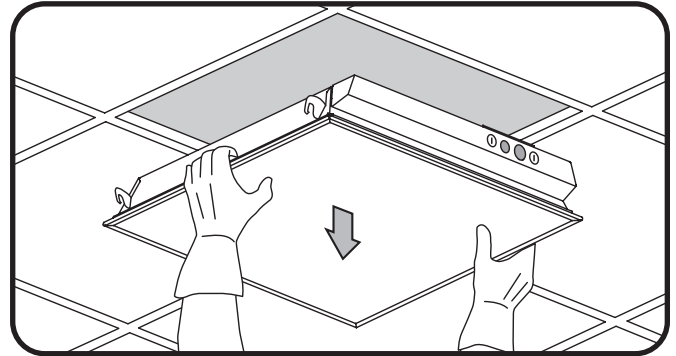


Driver Replacement Steps

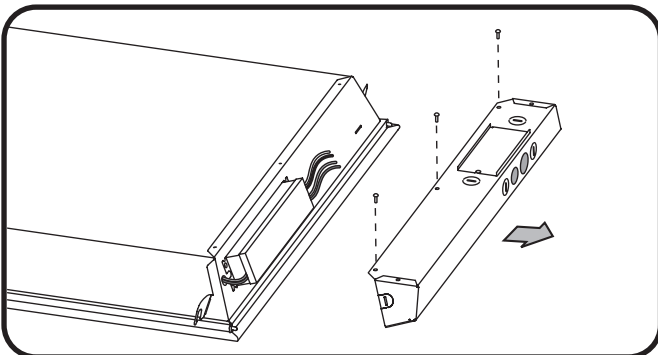
NOTE: The following steps depict the 22 Series luminaire. However, the procedure is the same for the 14 and 24 Series fixtures.



1 TURN OFF POWER at the source to the luminaire.



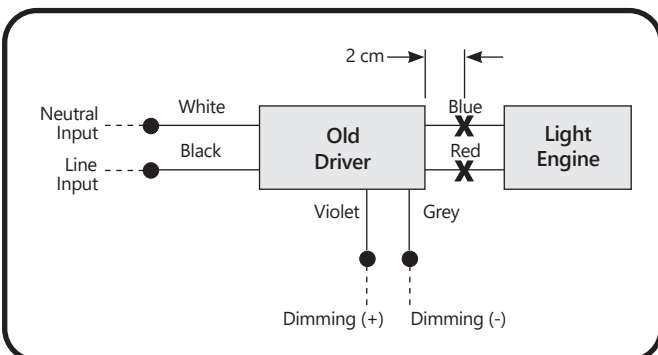
2 Disconnect the AC and dimming wires. Remove the fixture from the ceiling fixture.



3 Unfasten the 3 screws on the driver cover, and remove the driver cover.

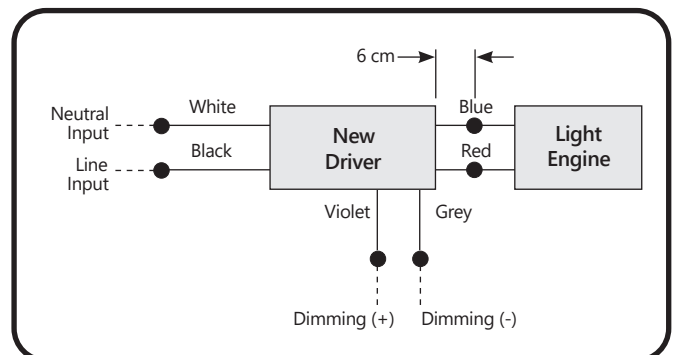
NOTE: See page 2 for wiring diagrams.

For Standard Version



4 First, disconnect the driver from the luminaire by cutting the wires at the distance of 2 cm (0.75 in.) from the old driver. Then, unscrew the screws and star washers which attach the driver to the luminaire and remove the old driver.

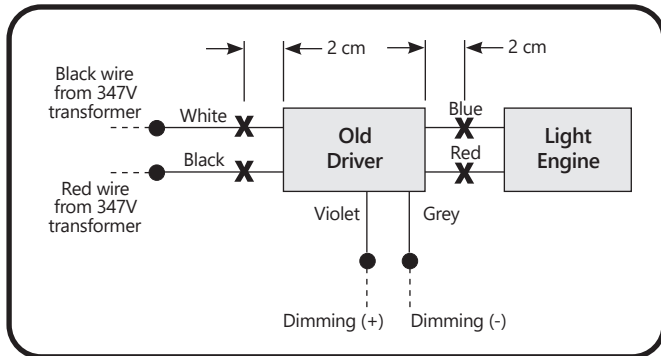
NOTE: Keep the screws and star washers for later use.



5 The length of wires from the new driver should be no less than 6 cm (2.36 in.). Reattach the new driver in the same location as the old driver using star washers and screws. Strip off 10 mm (0.4 in.) from all wires and reconnect the new driver to the luminaire with UL-listed connectors. Wires with the same color should be connected together.

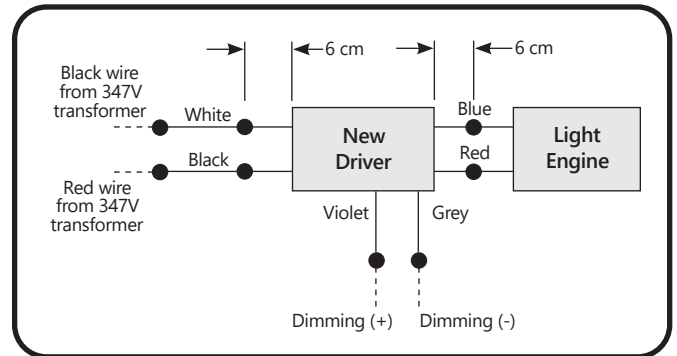
NOTE: Make sure star washers are installed to keep the grounding continuity.

For 347V Version



- ④ First, disconnect the driver from the luminaire by cutting the wires at the distance of 2 cm (0.75 in.) from the old driver. Then, unscrew the screws and star washers which attach the driver to the luminaire and remove the old driver.

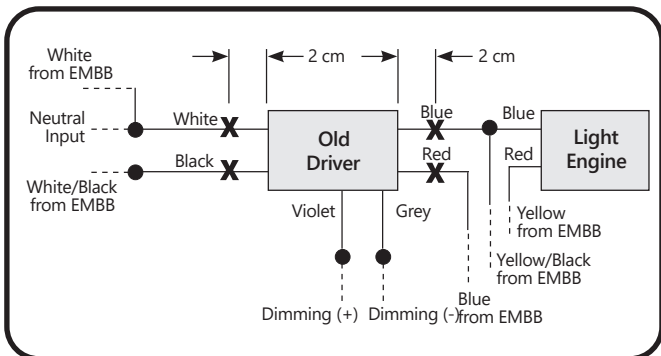
NOTE: Keep the screws and star washers for later use.



- ⑤ The length of wires from the new driver should be no less than 6 cm (2.36 in.). Reattach the new driver in the same location as the old driver using star washers and screws. Strip off 10 mm (0.4 in.) from all wires and reconnect the new driver to the luminaire with UL-listed connectors.

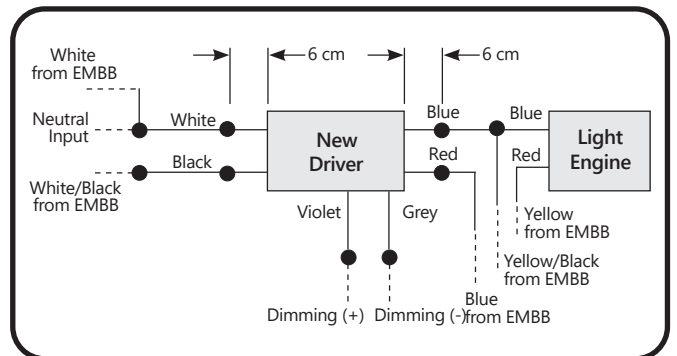
NOTE: Make sure star washers are installed to keep the grounding continuity.

For EMBB Version



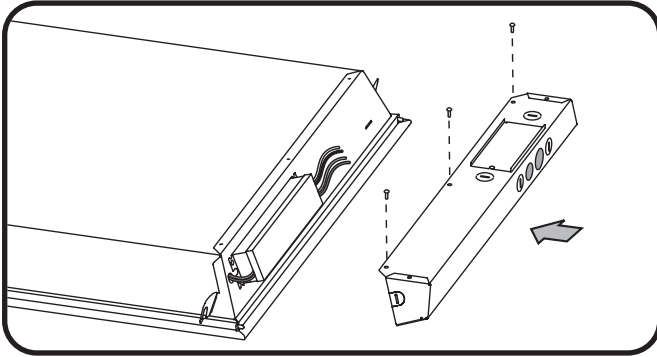
- ④ First, disconnect the driver from the luminaire by cutting the wires at the distance of 2 cm (0.75 in.) from the old driver. Then, unscrew the screws and star washers which attach the driver to the luminaire and remove the old driver.

NOTE: Keep the screws and star washers for later use.

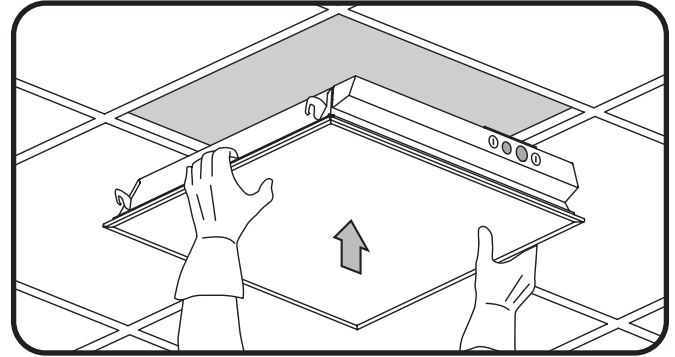


- ⑤ The length of wires from the new driver should be no less than 6 cm (2.36 in.). Reattach the new driver in the same location as the old driver using star washers and screws. Strip off 10 mm (0.4 in.) from all wires and reconnect the new driver to the luminaire with UL-listed connectors. Wires with the same color should be connected together.

NOTE: Make sure star washers are installed to keep the grounding continuity.



- ⑥ Install the driver cover and fasten it by screws and washers.



- ⑦ Install the fixture back to the ceiling. Connect the AC and dimming wires.

This device complies with Part 15 of the FCC Rules. Operation is subject to the following two conditions: (1) This device may not cause harmful interference, and (2) this device must accept any interference received, including interference that may cause undesired operation. This Class [A] RFLD complies with the Canadian standard ICES-003. Ce DEFR de la classe [A] est conforme à la NMB-003 du Canada.

Note: This equipment has been tested and found to comply with the limits for a Class A digital device, pursuant to part 15 of the FCC Rules. These limits are designed to provide reasonable protection against harmful interference when the equipment is operated in a commercial environment. This equipment generates, uses, and can radiate radio frequency energy and, if not installed and used in accordance with the instruction manual, may cause harmful interference to radio communications. Operation of this equipment in a residential area is likely to cause harmful interference in which case the user will be required to correct the interference at his own expense.