



## AHG Series

### LED Hazardous Location Luminaire

The **Albeo® AHG** LED fixture is an enclosed and gasketed hazardous location LED product. AHG is standard Class 1, Division 2, Groups A, B, C and D. It is offered in 4' and 8' lengths with lumen packages ranging from 5,000-16,000 lumens.

### Construction

**Housing:** Formed UL 5VA fiberglass.

**Lens:** Frosted acrylic

**Paint:** White painted parts

### Optical System

**Lumens:** 5000 – 16,000

**Wattage:** 47-136 Watts

**CCT:** 3000K, 3500K, 4000K, & 5000K

**CRI:** 80

### Electrical

**Input Voltage:** 120-277V, 347V, and 480V

### Features & Benefits

- QR code label affixed to housing for easy traceability.
- Shielding - Lineal ribbed frosted acrylic lens impact modified equivalent to 100% DR; modification adds flexibility to reduce impact breakage compared to standard acrylic formulations. Optional ribbed polycarbonate lens or deep acrylic. All lenses available in clear or frost.
- F1 weatherability rating, suitable for indoor or outdoor use with respect to exposure to UV light. Pour-in-place non-porous gasketing assures seal. LED affixed to removable heat sinked gear tray. 14 Latches per 8', 8 per 4'. Latches are provided tamper resistance ready, tamper resistant screws by others. Latches are standard polyacetal (POM), optional in stainless steel. Access openings are provided for electrical connection.
- Removable gear tray electrical access for modular replaceability

### Controls

**Dimming:** Continuous 0–10V Dimming option available

### Ambient Temperature

TYPE	TEMPERATURE RATE
OPERATING TEMPERATURE	-40°C to +40°C (-40°F to 104° F)

### Lumen Maintenance

LXX(10K) @ Hours 60,000 HR
L80

### Mounting

- **Typical Mounting:** Surface. Includes mounting brackets.

### Design Life & Warranty

- CSA tested to UL1598
- Class I, Division 2, Group A, B, C & D
- Ingress protection IP65 and IP67 standard. IP66 standard when polyacetal (POM) latches are used.
- **Current's Limited 5-year Warranty:**  
Please refer to document [IND599](#) for more information.



# AHG Series

LED Hazardous Location Luminaire

## CUSTOMER NAME

Project Name \_\_\_\_\_

Date \_\_\_\_\_ Type \_\_\_\_\_

Catalog Number \_\_\_\_\_

## Ordering Information

### AHG

PRODUCT ID	VOLTAGE	SIZE	CCT	LUMEN OUTPUT	OPTICS/LENS	OPTIONS
AHG = Hazardous LED Enclosed and Gasketed	0 = 120-277V	4 = 4ft	30 = 3000K	<b>4ft</b>	RA = Ribbed Diffused Acrylic	SS = Stainless Steel Tamper Resistance Ready Latches
	D = 347V	8 = 8ft	35 = 3500K	05 = 5000	RC = Ribbed Clear Acrylic	TP = Tamper Proof Latches
	5 = 480V		40 = 4000K	06 = 6000	DA = Diffused Acrylic	AA = 3 Wire 8' Wet Cord
			50 = 5000K	08 = 8000	DC = Clear Acrylic	AB = 3 Wire 15' Wet Cord
				<b>8ft</b>	RP <sup>1</sup> = Ribbed Diffused Polycarbonate	PB <sup>2</sup> = Dual Pendant Brackets (pendant by others)
				10 = 10000		EL14 <sup>3</sup> = Emergency Battery Pack, 1400 Lumens
				12 = 12000		
				16 = 16000		

1 4' only. 8' not available.

2 Requires 3/8" OD threaded rod by others.

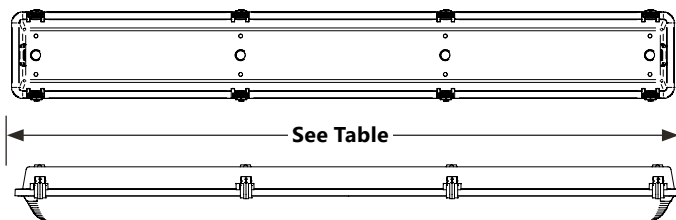
3 EL14 option uses Bodine BSL310HAZ emergency battery.

SIZE	LUMEN PACKAGE	NOMINAL LUMEN RANGE (DA LENS)	NOMINAL WATTS	LUMENS/WATT (HIGHEST)	MAX TEMP
4'	05	4850-5350	47	114	40° C
	06	5800-6400	52	123	40° C
	08	7350-8150	68	120	40° C
8'	10	9700-10700	94	114	40° C
	12	11600-12800	104	123	40° C
	16	14700-16300	136	120	40° C

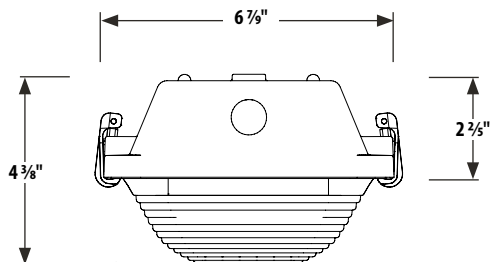
ACCESSORIES (ORDER SEPARATELY)	
CH	Chain Hanger Kit (Includes 14" Chain)
MB	45° Mounting Bracket
MBS	45° Stainless Steel Mounting Bracket

Lumens vary according to color temperatures and other factors. See specific photometric test(s). Output levels based on the DA lens option.

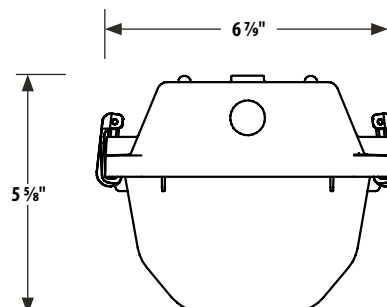
## Product Dimensions



AHG LENGTH DIMENSIONS					
SIZE	LENS	LENGTH	SIZE	LENS	LENGTH
4'	RC, RA	512 <sup>3</sup> / <sub>8</sub> "	8'	RC, RA	100"
	RP	512 <sup>3</sup> / <sub>8</sub> "		RP	N/A
	DA, DC	512 <sup>3</sup> / <sub>8</sub> "		DA, DC	100"



RC, RA Lens: 4', 8', RP Lens: 4'



DA, DC Lens: 4', 8'

NOTE: All dimensions are in inches; dimensions and specifications are subject to change without notice. Please consult factory or check sample for verification.

# AHG Series

LED Hazardous Location Luminaire

## CUSTOMER NAME

Project Name \_\_\_\_\_

Date \_\_\_\_\_ Type \_\_\_\_\_

Catalog Number \_\_\_\_\_

### Photometric Data:

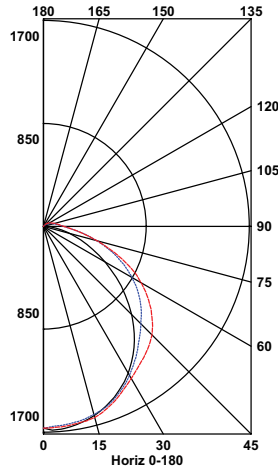
#### AHG 4' MED LUMEN

80 CRI

4000K

5427 LM

AHG04005DA



ZONE	LUMENS	% FIXT.
0-30	1306	24.1
0-40	2141	39.5
0-60	3846	70.9
0-90	5148	94.9
0-180	5427	100.0

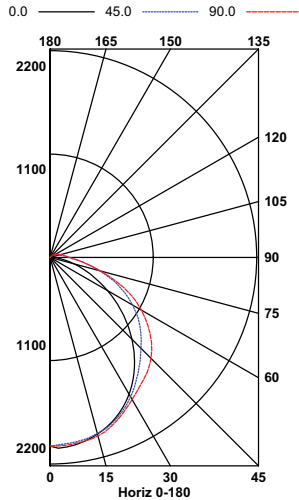
#### AHG 4' HIGH LUMEN

80 CRI

4000K

6535 LM

AHG04006DA



ZONE	LUMENS	% FIXT.
0-30	1575	24.1
0-40	2580	29.5
0-60	4638	70.8
0-90	6194	94.8
0-180	6535	100.0

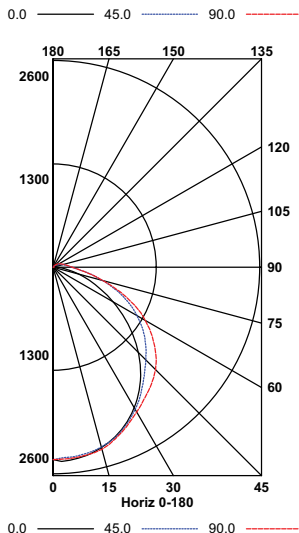
#### AHG 4' VERY HIGH LUMEN

80 CRI

4000K

7876 LM

AHG04008DA



ZONE	LUMENS	% FIXT.
0-30	1899	24.1
0-40	3114	39.5
0-60	5588	71.0
0-90	7461	94.7
0-180	7876	100.0