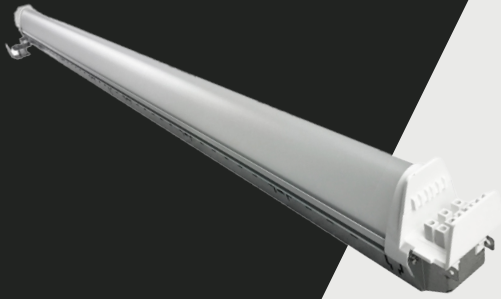


Lumination® LUR2 Series

LED Suspended Retrofit Kit



CUSTOMER NAME _____

Project Name _____

Date _____ Type _____

Catalog Number _____

Lumination® LUR2 Series retrofit kits are designed to offer lighting designers a high performance retrofit solution with excellent efficacy, reliability and quality of light matched with the Daintree Connected wireless dimming solution for fully independent control of all luminaire. Equipped with integrated electrical connections for continuous rows the LUR2 series offers unparalleled speed of installation.

CONSTRUCTION

Housing:	Extruded aluminum and steel
Lens:	Premium optical grade acrylic
Paint:	White powder paint, White connectors & endcaps
Weight:	<15lbs (8ft length)

OPTICAL SYSTEM

Lumens:	10,400lm
Distribution	Lambertian
Efficacy	142 LPW
Wattage:	73W
CCT:	4000K
CRI (Min):	85
R9 (Min):	25

ELECTRICAL

Input Voltage:	120V-277V
Input Frequency:	50/60Hz
Power Factor (PF)*:	> 90%
Total Harmonic Distortion (THD)*:	<20
Surge Protection:	ANSI C82.77 Compliant
Transient Protection:	100 kHz ring wave, 2.5kV level,
Electronic Vibration Testing:	Multi-axis, Vibration Profile: 2-2000 Hz, 0.5Gs on electronics

* PF and THD may vary with options

CONTROLS

Dimming:	0-10V 1%
Controls:	Daintree Wireless® Compatible

AMBIENT TEMPERATURE

Product ID	Operating Temperature	Storage Temperature
LUR2	-10°C TO +30° C	-40°C TO +70°C

LUMEN MAINTENANCE

Projected L70 per IES TM-21 at max 35°C

LXX(10K) @ Hours
60,000 HR
L70

MOUNTING

- Mounting:** Universal bracket design allows for retrofit into a multitude of existing suspended fixtures. Choose Cxxx option for custom retrofit bracket*
*Contact manufacturer for details and lead time

DESIGN LIFE & WARRANTY

- Reliability Testing:** Components and/or systems evaluation at extreme conditions and monitored during production.
- Damp Location Rated
- IP40 Rated
- Current's Limited 5-year Warranty**
Please refer to IND599 for more information

Lumination® LUR2 Series

LED Suspended Retrofit Kit

Catalog Logic

CUSTOMER NAME

Project Name _____

Date _____ Type _____

Catalog Number _____

1. FIXTURE

LUR2 **D8** **0** **A0** **V1** **840** **CS** **WHITE**

FAMILY	FIXTURE TYPE	VOLTAGE	LUMEN OUTPUT	DISTRIBUTION	CRI/CCT	CONTROL	MOUNTING	FINISH	BRACKETS
LUR2	D8 = 2x8FT	0 = 120-277V	A0 = 10400	V1 = Very Wide	840 = 85CRI, 4000K	V1 = 0-10V TQ = Daintree Connected	CS = Suspended	WHITE	MAIN = 3IN1 = Standard SIN = Single Tombstone CXXX = Custom

2. STARTER KITS

Required - 1 per row / electrical drop

SKU	ORDERING CAT	DESCRIPTION
93149313	AK-LUR-STARTER-3IN1	STARTER KIT FOR 3IN1 MOUNTING
93149315	AK-LUR-STARTER-SIN	STARTER KIT FOR SIN MOUNTING

3. ACCESSORIES KITS

SKU	ORDERING CAT	DESCRIPTION
93149311	AK-LUR2-CON-BRIDGE	B-BRIDGE KIT
93149312	AK-LUR2-CON-BRIDGE-EXT	EXTENDED B-BRIDGE KIT
93149240	AK-LUR2-BRKT-SAMPLER	SAMPLER KIT FOR MOUNTING BRACKETS (1 PAIR)

Lumination® LUR2 Series

LED Suspended Retrofit Kit

Dimensions

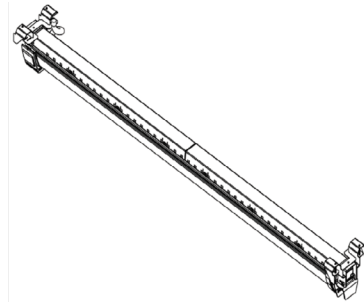
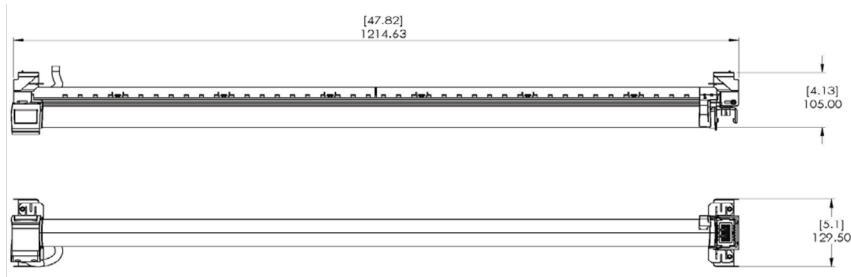
CUSTOMER NAME

Project Name _____

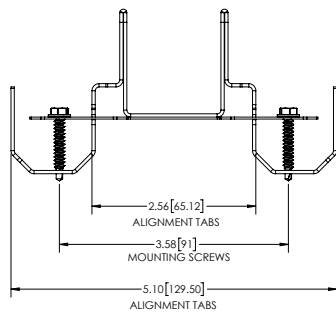
Date _____ Type _____

Catalog Number _____

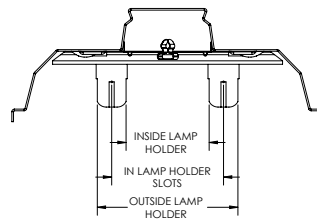
DIMENSIONS



3 in 1 BRACKET DIMENSIONS

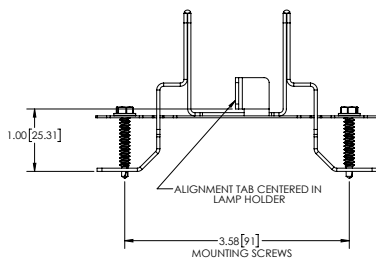


ALIGNMENT ON FIXTURE

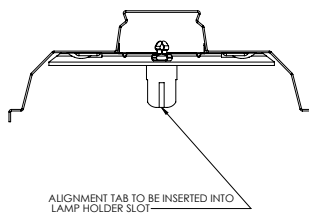


ONE SET OF ALIGNMENT TABS SHOULD LINE UP WITH THE INSIDE, OUTSIDE, OR SLOTS OF THE LAMP HOLDERS TO ENSURE STRAIGHT INSTALLATION

SIN BRACKET DIMENSIONS



ALIGNMENT ON FIXTURE



For Product or Technical Questions:

Email: lightingproinfo@gecurrent.com

Phone: +1 888 694 3533, option 2