

# Arize® Lynk<sup>2</sup>

## LED Lighting System



## BEFORE YOU BEGIN

Read these instructions completely and carefully.

- |  |  |  |
|--|--|--|
| <p><b>DA</b> Den danske version af installationsvejledningen og sikkerhedsoplysninger kan findes på følgende placering: <a href="https://gecurrent.com/eu-en">https://gecurrent.com/eu-en</a></p> <p><b>DE</b> Die deutsche Version der Installationsanleitung und Sicherheitsinformationen finden Sie in folgendem Verzeic: <a href="https://gecurrent.com/eu-en">https://gecurrent.com/eu-en</a></p> <p><b>ES</b> La versión española de las instrucciones de instalación y la información sobre seguridad puede encontrarse en la siguiente ubicación: <a href="https://gecurrent.com/eu-en">https://gecurrent.com/eu-en</a></p> <p><b>FI</b> Asennusohjeiden ja turvallisuustietojen suomenkielinen versio löytyy seuraavasta paikasta: <a href="https://gecurrent.com/eu-en">https://gecurrent.com/eu-en</a></p> <p><b>FR</b> La version française des instructions d'installations et information de sécurité est disponible à l'adresse suivante: <a href="https://gecurrent.com/eu-en">https://gecurrent.com/eu-en</a></p> | <p><b>HU</b> A telepítési útmutató és a biztosság információk magyar nyelvű változata az alábbi címen található: <a href="https://gecurrent.com/eu-en">https://gecurrent.com/eu-en</a></p> <p><b>IT</b> La versione italiana del manuale di installazione e sicurezza può essere reperita nella seguente sezione: <a href="https://gecurrent.com/eu-en">https://gecurrent.com/eu-en</a></p> <p><b>LT</b> Lietuvišką diegimo instrukcijos ir saugos informacijos versiją galima rasti šioje vietoje: <a href="https://gecurrent.com/eu-en">https://gecurrent.com/eu-en</a></p> <p><b>NL</b> De Nederlandse versie van de installatie-instructies en veiligheidsinformatie kan op de volgende locatie worden gevonden: <a href="https://gecurrent.com/eu-en">https://gecurrent.com/eu-en</a></p> <p><b>NO</b> Den norske versjonen av installasjonsinstruksjonene og sikkerhetsinformasjonen er tilgjengelig på: <a href="https://gecurrent.com/eu-en">https://gecurrent.com/eu-en</a></p> | <p><b>PL</b> Polską wersję instrukcji instalacji oraz informacje dotyczące bezpieczeństwa można znaleźć w następującej lokalizacji: <a href="https://gecurrent.com/eu-en">https://gecurrent.com/eu-en</a></p> <p><b>PT</b> A versão em Português das instruções de instalação e das informações de segurança pode ser encontrada na seguinte localização: <a href="https://gecurrent.com/eu-en">https://gecurrent.com/eu-en</a></p> <p><b>SV</b> Ni hittar den svenska versionen av installationsanvisningarna och säkerhetsinformationen på följande plats: <a href="https://gecurrent.com/eu-en">https://gecurrent.com/eu-en</a></p> |
|--|--|--|

For the latest North American install guides for your product go to: <https://products.gecurrent.com/horticulture/arize-lynk>

For the latest European install guides for your product go to: <https://gecurrent.com/eu-en>

## Save These Instructions

Use only in the manner intended by the manufacturer. If you have any questions, contact the manufacturer.

The light source of this luminaire is not replaceable; when the light source reaches its end of life the whole luminaire shall be replaced.

The external flexible cable or cord of this luminaire can not be replaced; if the cord is damaged, the luminaire shall be destroyed.

## Prepare Electrical Wiring FOR UL ONLY



### Electrical Requirements

- Acceptable for use in dry, damp and wet locations.
- Follow all National Electric Codes (NEC) and local codes.

This device complies with Part 15 of the FCC Rules. Operation is subject to the following two conditions: (1) This device may not cause harmful interference, and (2) this device must accept any interference received, including interference that may cause undesired operation.

CAN ICES-005 (A) / NMB-005 (A)

**Note:** This equipment has been tested and found to comply with the limits for a Class A digital device, pursuant to part 15 of the FCC Rules. These limits are designed to provide reasonable protection against harmful interference when the equipment is operated in a commercial environment. This equipment generates, uses, and can radiate radio frequency energy and, if not installed and used in accordance with the instruction manual, may cause harmful interference to radio communications. Operation of this equipment in a residential area is likely to cause harmful interference in which case the user will be required to correct the interference at his own expense.

**⚠ WARNING / AVERTISSEMENT**

**RISK OF ELECTRIC SHOCK**

- Turn power off before inspection, installation or removal.
- The electrical supply for each luminaire must always be connected to the male connector.
- Not to be submerged or used in a marine environment.

**RISK OF FIRE**

- Follow all local codes.

**RISQUES DE DÉCHARGES ÉLECTRIQUES**

- Coupez l'alimentation avant l'inspection, l'installation ou le déplacement.
- L'alimentation électrique pour chacun des luminaires doit toujours être branché du côté mâle de la prise.
- Ne pas submerger ou installer dans un environnement marin.

**RISQUES D'INCENDIE**

- Respectez tous les codes locaux.

**⚠ RISK GROUP 1 - CAUTION / ATTENTION - RAYONNEMENT LUMINEUX GROUPE 1**

**⚠ RISK GROUP 2 - CAUTION / ATTENTION - RAYONNEMENT LUMINEUX GROUPE 2\***

Possibly hazardous optical radiation emitted from this product. Do not stare at operating lamp. May be harmful to the eyes.

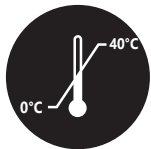
Le rayonnement lumineux émis par ce produit est potentiellement dangereux. Ne pas regarder la lumière émise directement car elle pourrait occasionner des dommages aux yeux.

\*See table below for risk groups by model.



These photobiological safety markings are based on testing of the light output characteristic of a single horticultural luminaire. Increased exposure risk to facility personnel may be present depending upon the number of horticultural luminaires and their placement and/or positioning within the plant growth facility.

It is the responsibility of the plant growth facility to address these risks at the facility level and to ensure that people entering the plant growth areas while the lights are on, are aware of these risks and that appropriate safeguards are in place.



**Suitable for operation in an ambient temperature between 32°F (0°C) and 104°F (40°C).**

A mechanical ventilation or cooling system is required to maintain the temperature within the growing space below 104°F (40°C) when the light module is in operation.

**Opération compatible avec un environnement à température ambiante contrôlée entre 32°F (0°C) et 104°F (40°C).**

L'utilisation d'un système de contrôle de la température sera nécessaire pour garder la serre sous les 104°F (40°C) lorsque le luminaire est en fonction.

Part Number	IEC 62471 UL Only	IEC 62778 CE/UKCA Only	
	Risk Group	Risk Group	Min viewing distance (mm)
GEHL48HPPR3	RG2 (Lb,Eb)	RG1	N/A
GEHL48HPPB3	RG2 (Lb)	RG2	447
GEHL48HPKR3	RG1	RG1	N/A
GEHL48HPPF3	RG2 (Eb)	RG2	352
GEHL48HPKB3	RG1	RG2	390
GEHL48HPKF3	RG1	RG1	N/A
GEHL48HBRI3	RG1	RG2	359
GEHL48HBRV3	RG1	RG2	420
GEHL48HPPV3	RG2 (Eb)	RG2	530
GEHL96HPPR3	RG0	RG2	325
GEHL96HPPB3	RG2 (Eb, Lb)	RG2	432
GEHL96HPKR3	RG0	RG2	257
GEHL96HPKB3	RG1	RG2	390
GEHL96HPPV3	RG2 (Eb, Lr)	RG2	482

Please contact support at [arize.support@gecurrent.com](mailto:arize.support@gecurrent.com) with regard to applications other than horizontal. In these applications, luminaires should not be directly interconnected and the male connector (power input) should be in the upward orientation with the female end facing down.



Electrical products must not be thrown out with domestic waste. They must be taken to a communal collecting point for environmentally friendly disposal in accordance with local regulations. Contact your local authorities or stockist for advice on recycling. The packaging material is recyclable. Dispose of the packaging in an environmentally friendly manner and make it available for the recyclable material collection-service.

Conforms to the following standards:  
IP66 rated



Visit [LED.com](http://LED.com)

Manufacturer:

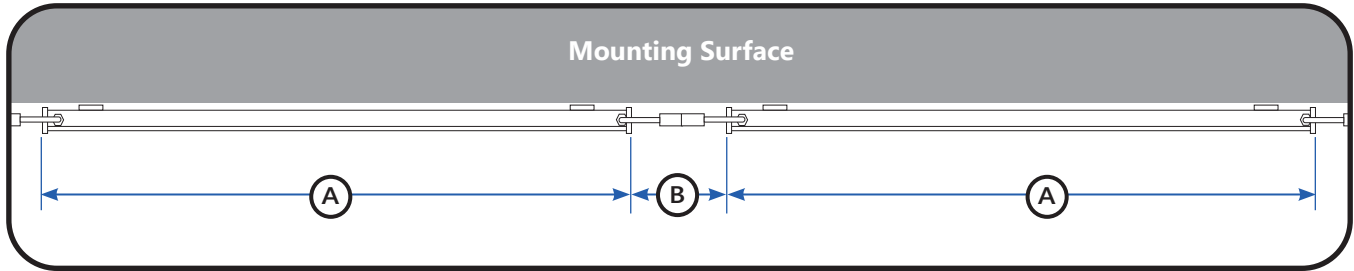
Current Lighting Solutions LLC, 1975 Noble Road, Cleveland, Ohio 44112 USA

Importer:

UK: Current Lighting Limited, 3rd Floor, 1 Ashley Road, Altrincham, UK, WA14 2DT

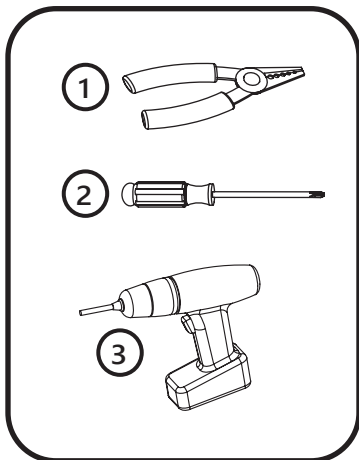
EU: Current Netherlands B.V., Programmeurstraat 6, 1033MT Amsterdam, Netherlands

### Product Length



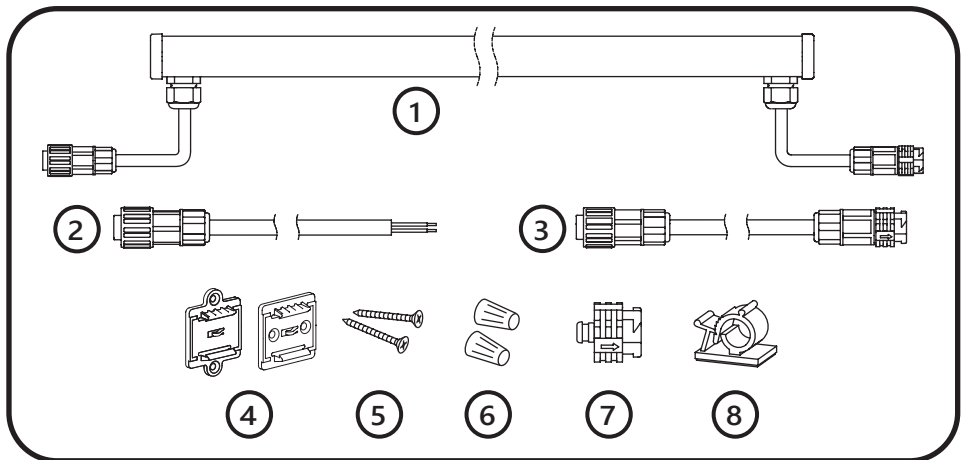
	<b>A</b> Luminaire length	<b>B</b> Minimum spacing / Leader cable length
4 ft.	47.3" (120 cm)	0.2" (5 mm) / 23.6" (600 mm)
8 ft.	95" (240 cm)	0.2" (5 mm) / 23.6" (600 mm)

### Tools Required



- ① Wire stripper/cutter
- ② Screwdriver
- ③ Cordless drill with driver bit

### Components Required



- ① Arize Lynk<sup>2</sup> fixtures (4 ft. or 8 ft.)
- ② Cable Accessories (GECaAbcc-deffg), see page 7
- ③ *Optional* - Jumper cable (93138395 – 2ft, with dimming wire)
- ④ Mounting clips (88818 – standard) or (10734 – slim)
- ⑤ #10 (M5) self-tapping flathead screws
- ⑥ UL approved 18-14 AWG (0.82-2.08 mm<sup>2</sup>) wire connectors, in-line splice connectors or alternative approved connectors.
- ⑦ End cap for connectors
- ⑧ *Optional* - Cable clamps

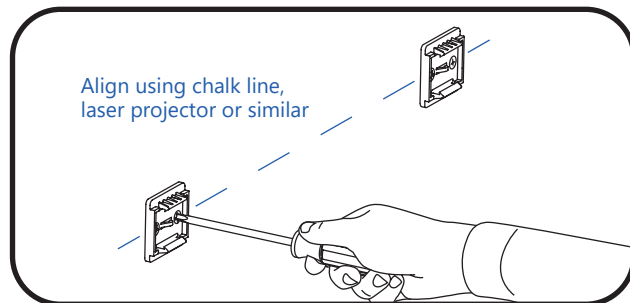
## METHOD 1

### Single Luminaire Installation

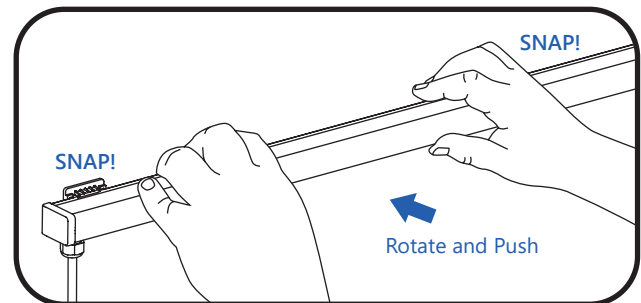
#### Before starting:

Luminaires must only be mounted using Current's standard or slim mounting clips (see *Components Required* on page 3).

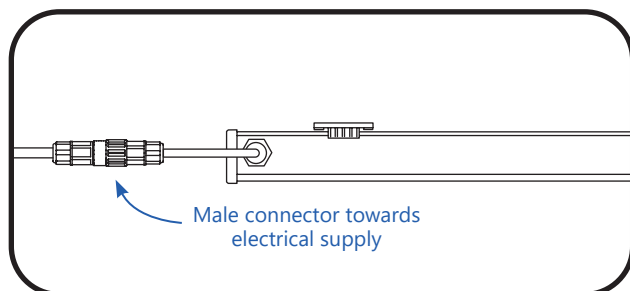
#### Mounting instructions using Current's standard and slim mounting clips.



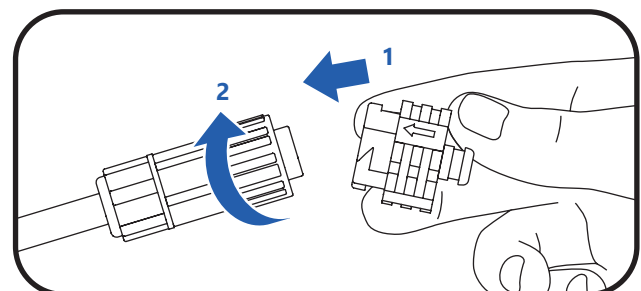
- Secure each luminaire mounting clip to a rigid flat mounting surface using two #10 (M5) self-tapping flathead screws along the intended run of luminaire. **To avoid stress and damage to luminaire the entire mounting surface should be flat and the mounting clips be properly aligned.** Refer to table on page 11 for required number of mounting clips per luminaire.



- Press the luminaire into its mounting clips so that the male connector is oriented towards the intended electrical supply. **TIP:** Align luminaire on one side of the mounting clips; then rotate the luminaire until it snaps into other side of the mounting clips.  
(Only for single luminaire installation)  
**Alternately:** The required mounting clips may first be pressed onto the luminaire, then the luminaire mounting clip assembly may be mounted on to the mounting surface using two #10 (M5) self-tapping flathead screws per mounting clip.



- Place the luminaire on the surface with the male connector oriented towards the intended electrical supply.



- If not already covered, insert an end cap into the female connector, and twist the end cap clockwise to secure.

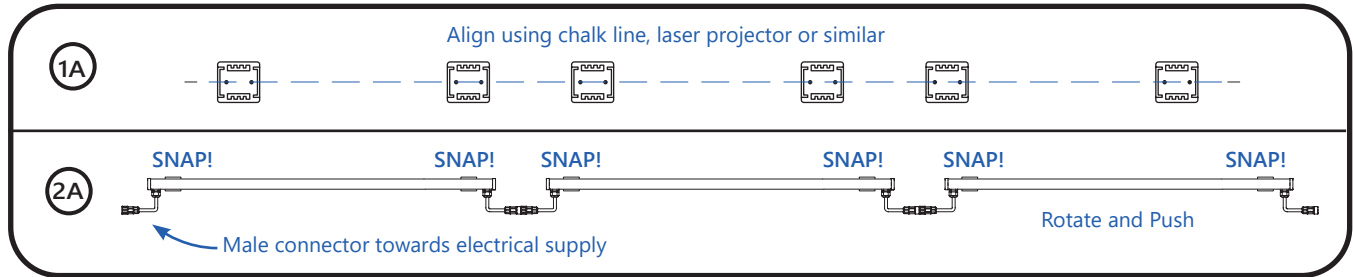
**Go to METHOD 3 on page 7**

## METHOD 2 Directly Interconnected Luminaires

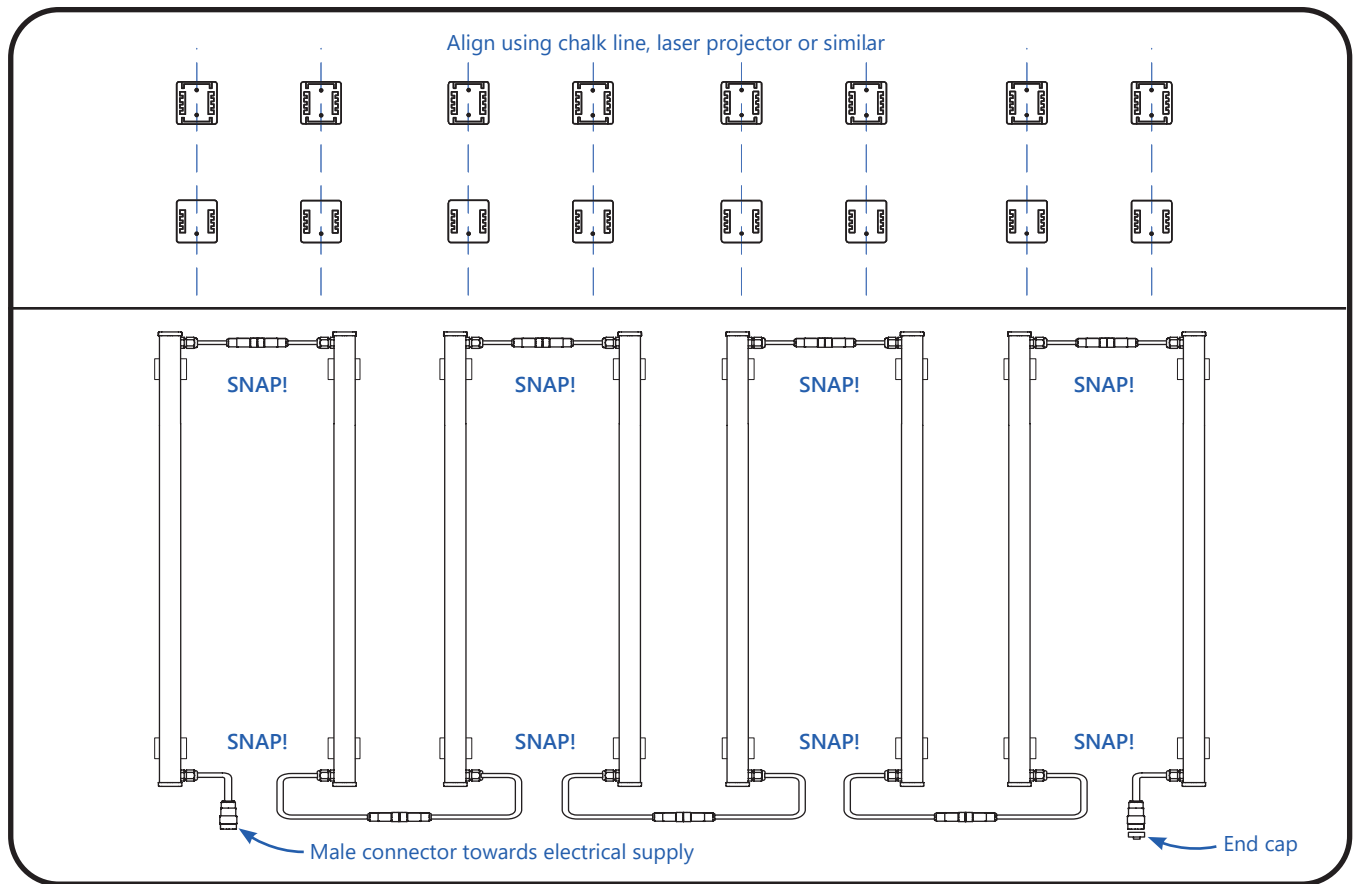
### Before starting:

See Multiple Bar Installation Details to ensure you won't exceed the maximum run length per leader cable. Luminaires must only be mounted using Current's standard or slim mounting clips (see *Components Required* on page 3).

**Linear Layout** *NOTE: the recommended distance between two ends should be no more than 0.8" (20mm) for better optical uniformity.*



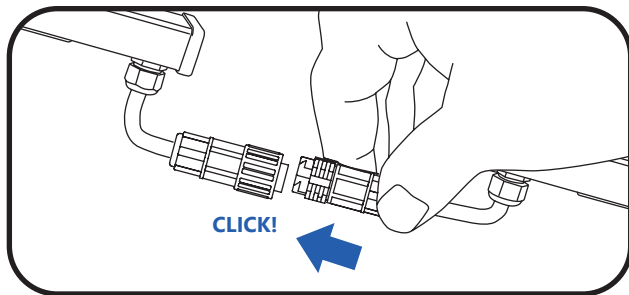
**Parallel Layout** *NOTE: the recommended maximum space between parallel luminaires is 10" (245mm) for better optical uniformity.*



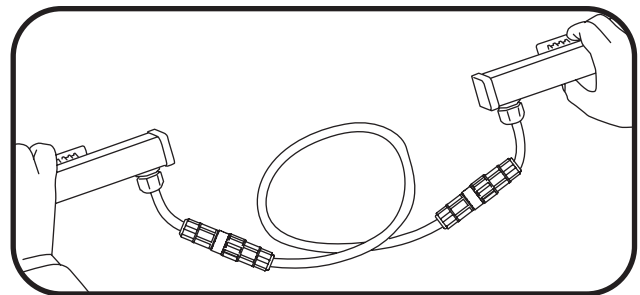
- 1 Secure each luminaire mounting clip to a rigid flat mounting surface using two #10 (M5) self-tapping flathead screws along the intended run of luminaire. **To avoid stress and damage to luminaire the entire mounting surface should be flat and the mounting clips properly aligned.** Refer to table on page 8 for the required number of mounting clips per luminaire.
- 2 Press the luminaire into its mounting clips so that the male connector is oriented towards the intended electrical supply. **TIP:** Align luminaire on one side of the mounting clips, then rotate the luminaire until it snaps into other side of the mounting clips.

## METHOD 2

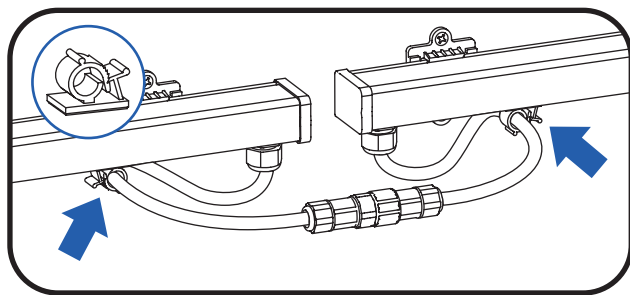
### Directly Interconnected Luminaires



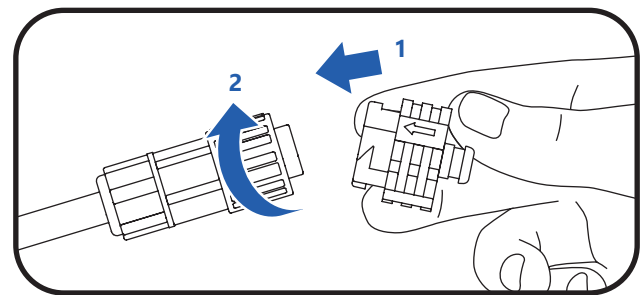
- 3A** Remove end cap from the female connector. Insert the male connector to the female connector. Make sure the connector is fully engaged as indicated by hearing a click.



- 3B** Use a jumper cable to connect luminaires if the distance between them is too long.



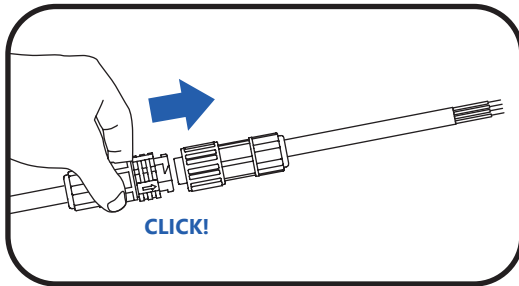
- 3C** *Optional:* Secure the cables using the optional cable clamp accessory.



- 4** Insert an end cap into the female connector on the last luminaire in the run, and twist the end cap clockwise to secure.

**Go to METHOD 3 on page 7**

### METHOD 3 Wiring Connections



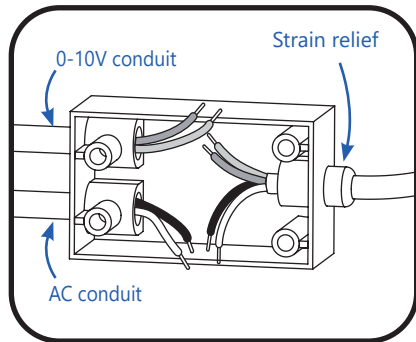
- 1 Insert the female connector of the leader cable so that it fully engages the male connector of the first luminaire in the run as indicated by hearing a click.

**NOTE:** the male connector can be cut off if there is no leader cable.

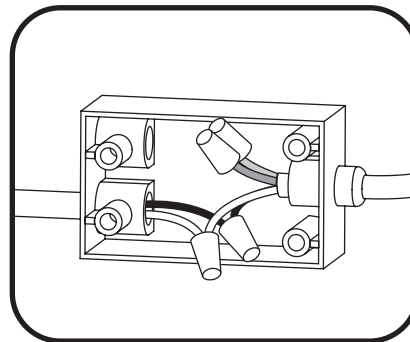
See **Multiple Bar Installation Details** to not exceed maximum run length for one leader.

To avoid damage, do not bend or otherwise exert excessive force on the connector during installation.

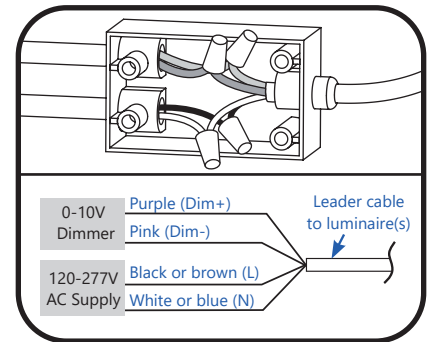
See *Components Required* on page 3 for leader cable part number.



- 2 Insert lead wire into junction box.



- 3 Inside the junction box, connect the line and neutral wires of the AC supply source to the line (black or brown) and neutral (white or blue) wires of the leader cable using suitable wire nuts. If 0-10V dimming will not be used, cap the dimming wires (purple and gray) with suitable wire nuts. Do not connect the dimming wires together or to line, neutral, or ground. If 0-10V dimming will be used, proceed to Step 4.



- 4 Connect the DIM + (purple) to the incoming dimmer circuit +. Connect the Dim - (pink) to the incoming dimmer circuit -.

**Warning:** The class 2 0-10V dimming circuit must be separated from the AC circuit as required by the applicable electric code.

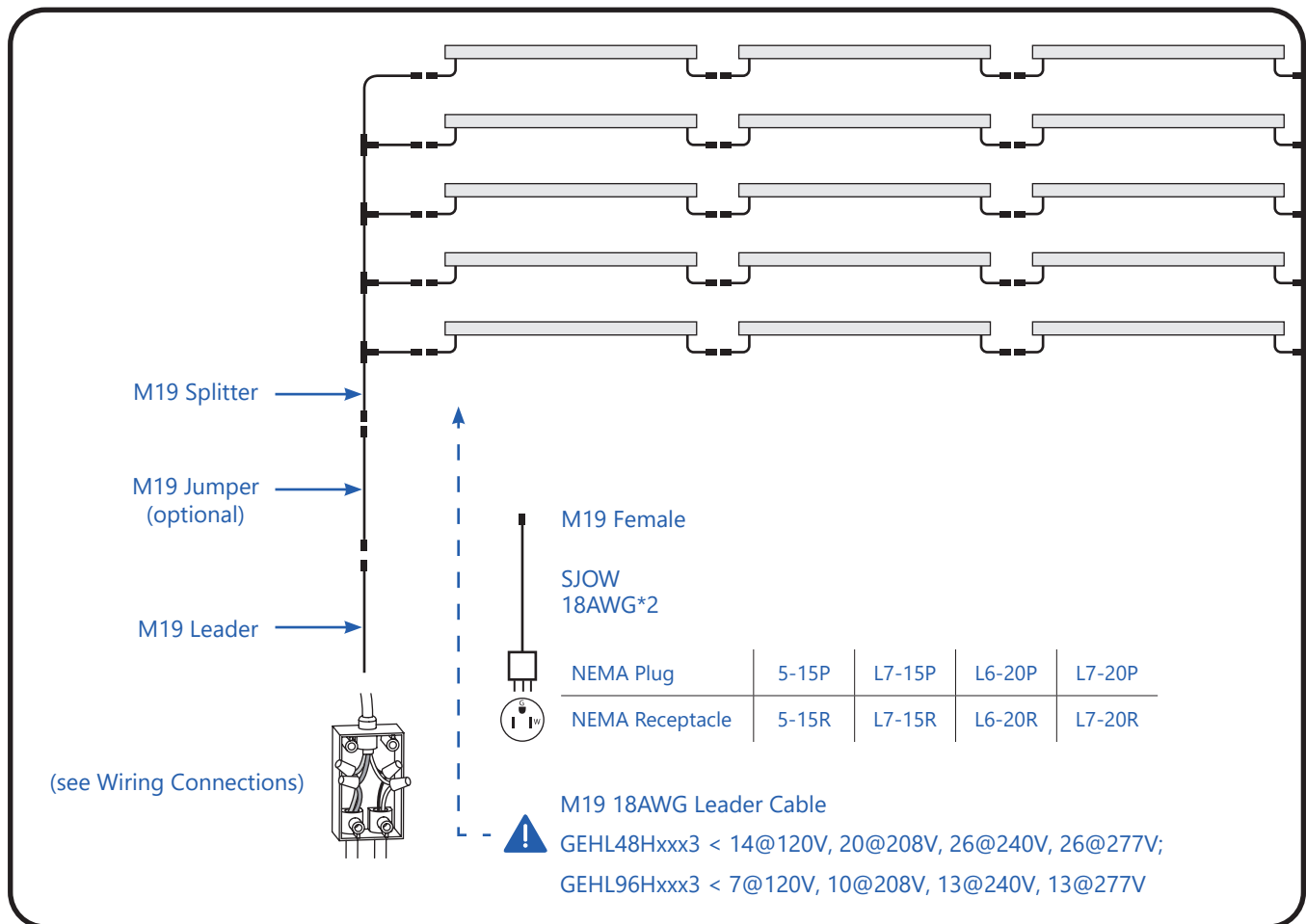
#### For UL Only **⚠ IMPORTANT GUIDELINES / CONSEILS IMPORTANTS**

- Cables shall not be concealed or extended through a wall, floor, ceiling, or other parts of the building structure; located above a suspended ceiling or dropped ceiling; permanently affixed to the building structure.
- Cables shall be routed so that they are not subject to strain and are protected from physical damage; visible over their entire length; and used within their rated ampacity as determined for the maximum temperature of the installed environment specified in the instructions.
- Before applying power, ensure that any open female connectors in the installation are sealed with an end cap. (see Method 1, step 4)
- Les câbles ne doivent pas être cachés à l'intérieur ou passer à travers un mur, un plancher, un plafond ou d'autres parties de la structure du bâtiment; ne doivent pas être placés au-dessus d'un plafond suspendu; ne doivent pas faire partie intégrante de la structure du bâtiment.
- Les câbles doivent être installés de façon à être protégés contre l'étirement et tout autre dommage; être visibles sur toute leur longueur; utilisés dans la limite de leur capacité électrique, déterminée pour les limites de température de l'environnement spécifiée dans ce document.
- Avant de mettre sous tension, assurez-vous que les connecteurs femelles ouverts du système sont scellés avec une butée de gaine. (consulter méthode 1, étape 4).

### METHOD 3 M19 Cable Accessories

Accessory Type	SKU	Model	Description
M19 Leader Cable (NA)	93142247	GECA30A18-CC10B	10ft (3.0m) Leader with dimming
M19 Leader Cable (EU/UK)	93142232	GECA30A18-BB06B	6ft (1.8m) Leader
	93142234	GECA30A18-BB10B	10ft (3.0m) Leader
	93142246	GECA30A18-BC06B	6ft (1.8m) Leader with dimming
	93142248	GECA30A18-BC10B	10ft (3.0m) Leader with dimming
	M19 Leader Cable with Plug (NA)	93142249	GECA30A18-CD06B
93142250		GECA30A18-CE06B	6ft (1.8m) Leader with L6-20P Plug
93148137		GECA30A18-CP06B	6ft (1.8m) Leader with L7-15P plug
93142251		GECA30A18-CK06B	6ft (1.8m) Leader with L7-20P Plug
M19 Jumper (NA/EU/UK)	93142252	GECA30A18-CF02B	2ft (0.6m) Jumper with dimming
M19 Splitter (NA/EU/UK)	93142256	GECA30A14-CI04B	4ft (1.2m) Splitter with 1 M19 male to 5 M19 female connectors with dimming.

### METHOD 3 M19 Cable Accessories Installation Example

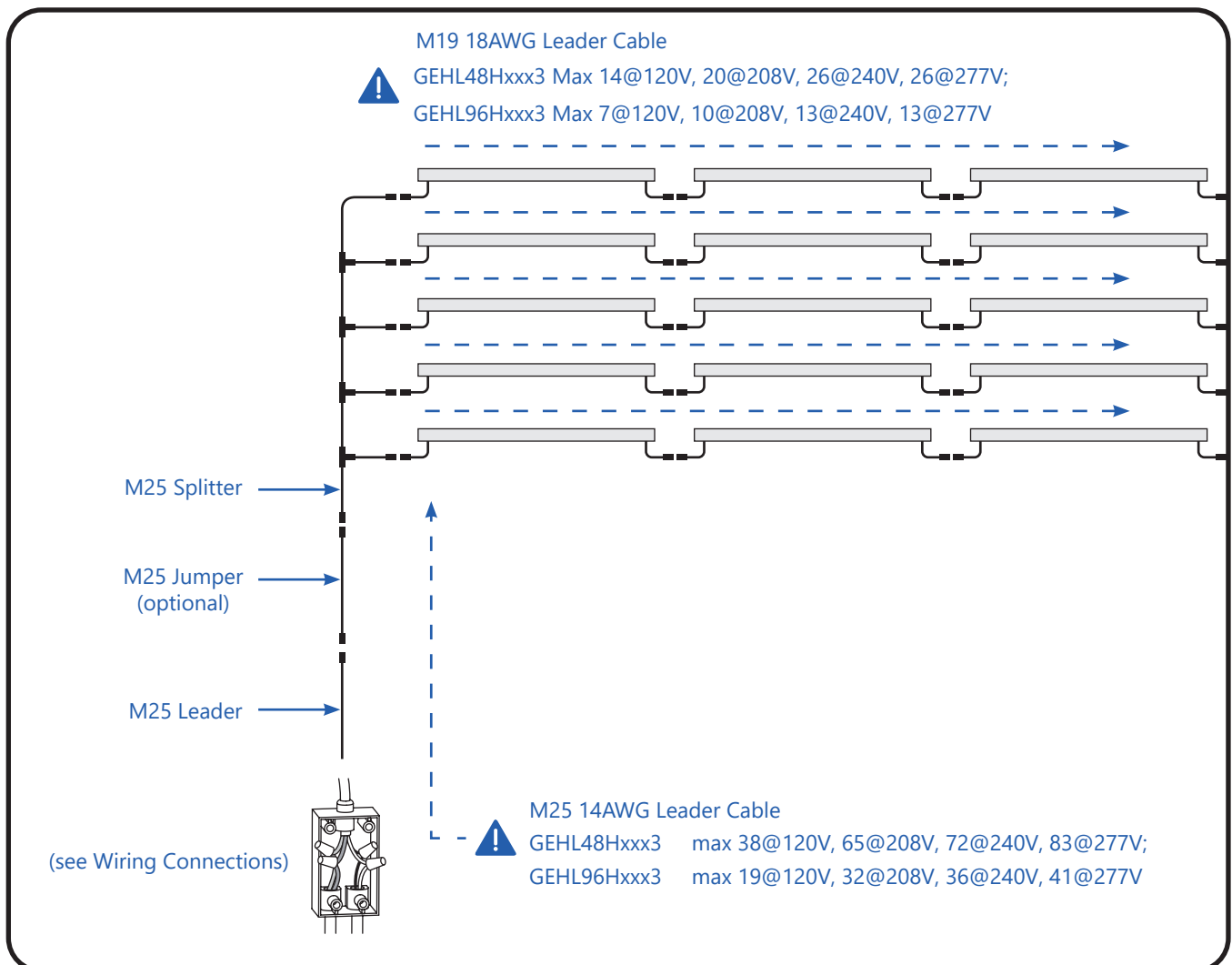




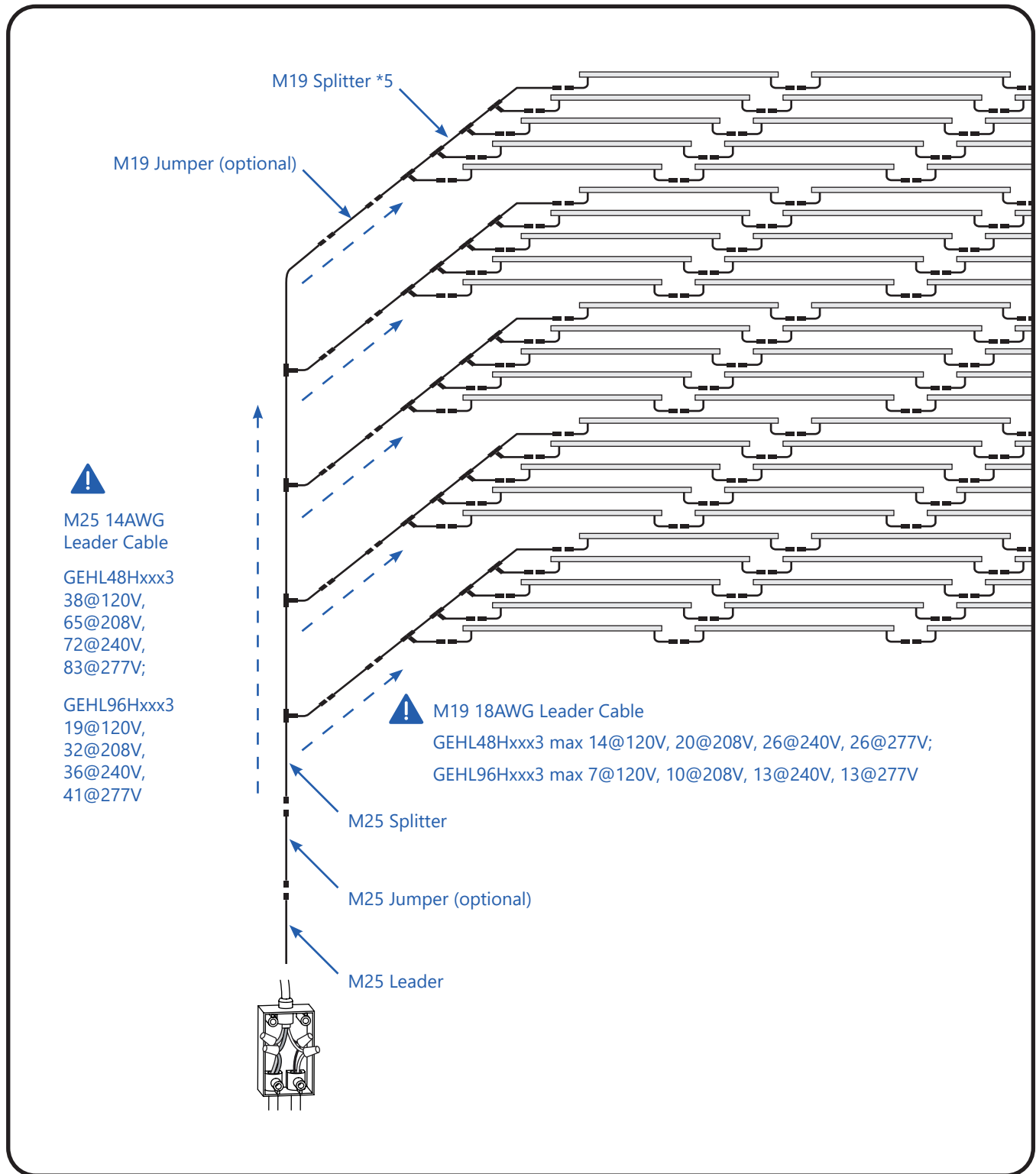
### METHOD 3 M25 Cable Accessories

Accessory Type	SKU	Model	Description
M25 Leader (EU/UK)	93142254	GECA30A14-BG06B	6ft (1.8m) Leader with dimming, 15A, EU
M25 Jumper (NA/EU/UK)	93142255	GECA30A14-CH02B	2ft (0.6m) Jumper with dimming
M25 Splitter (NA/EU/UK)	93142257	GECA30A14-CJ08B	8ft (2.4m) Splitter with 1 M25 male to 5 M19 female connectors with dimming.
M25 Leader (NA)	93142253	GECA30A14-CG06B	6ft (1.8m) Leader with dimming, 15A, NA

### METHOD 3 M25 Cable Accessories Installation Example A



### METHOD 3 M25 Cable Accessories Installation Example B



## Multiple Bar Installation Details

Input voltage : 120VAC - 277VAC, 50/60Hz

Lamp Length	Product Code (SKU)	Description Code	Maximum Bars Per M25 14AWG Leader Cable				Maximum Bars Per Interconnected run or M19 18AWG Leader Cable				Qty of Mounting Clips		Electrical Loading Detail Typical Current (A)			
			For 120VAC	For 208VAC	For 230VAC	For 277VAC	For 120VAC	For 208VAC	For 230VAC	For 277VAC	Plastic Clips	Metal Clips	For 120VAC	For 208VAC	For 230VAC	For 277VAC
4 ft.	93137762	GEHL48HPPR3	38	65	72	83	14	20	26	26	2	2	0.30	0.17	0.16	0.14
	93137763	GEHL48HPPF3														
	93137764	GEHL48HPPB3														
	93137765	GEHL48HPPV3														
	93137936	GEHL48HPKR3														
	93137937	GEHL48HPKF3														
	93137938	GEHL48HPKB3														
	93137939	GEHL48HBRI3														
93137940	GEHL48HBRV3															
8 ft.	93137941	GEHL96HPPR3	19	32	36	41	7	10	13	13	3	2	0.60	0.34	0.32	0.28
	93137942	GEHL96HPPB3														
	93137943	GEHL96HPPV3														
	93137944	GEHL96HPKR3														
	93137945	GEHL96HPKB3														

## Product Codes

GEHLxxHyyz3

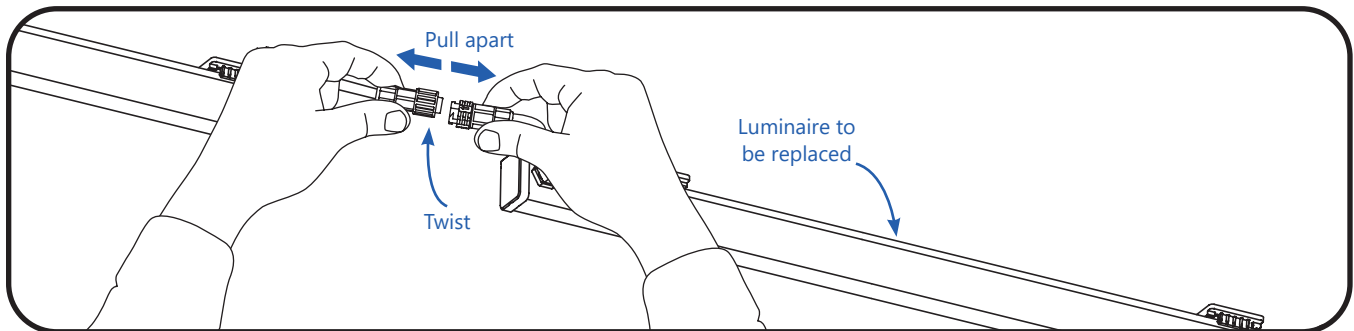
\*Key for xx: 48=48 in., 96=96 in.

\*Key for yy: PP=Purple, PK=Pink, BR=Broad Spectrum

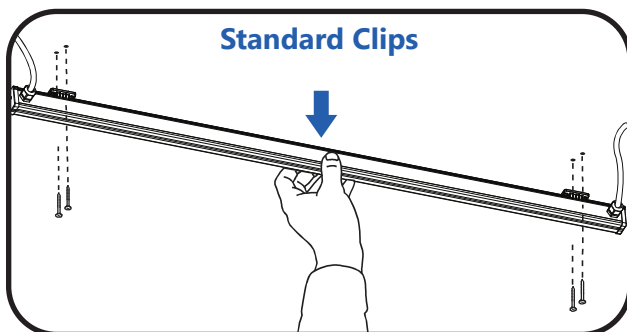
\*Key for z: Type "R", "B", "V", "I", "F"

## Troubleshooting

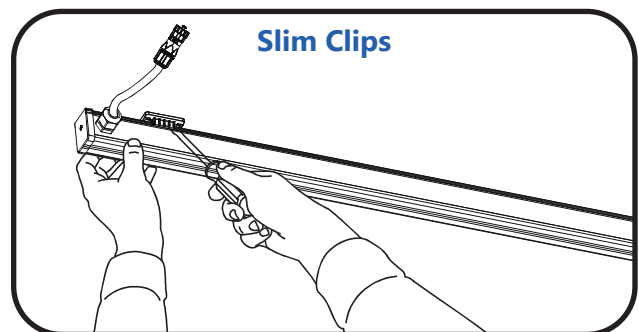
Symptom	Solution
All LED fixtures are not illuminated	<ul style="list-style-type: none"> <li>• Check leader cable connection and/or check circuit breaker.</li> <li>• Check plug connectors on the LED fixtures for improper connections or short circuits.</li> <li>• Ensure leader cable is securely connected to the female plug connector on the first LED luminaire.</li> </ul>
Some LED fixtures are not illuminated	<ul style="list-style-type: none"> <li>• Check plug connectors on the LED fixtures for improper connections or short circuits.</li> <li>• Ensure any jumper cables are securely connected between the male/female plug connectors of the LED fixtures.</li> </ul>

**METHOD 4****Replacement Instructions for Directly Interconnected Luminaires**

- ① Disconnect the connector on both sides of the luminaire.



- ②A Unscrew the mounting clips to completely remove the luminaire.



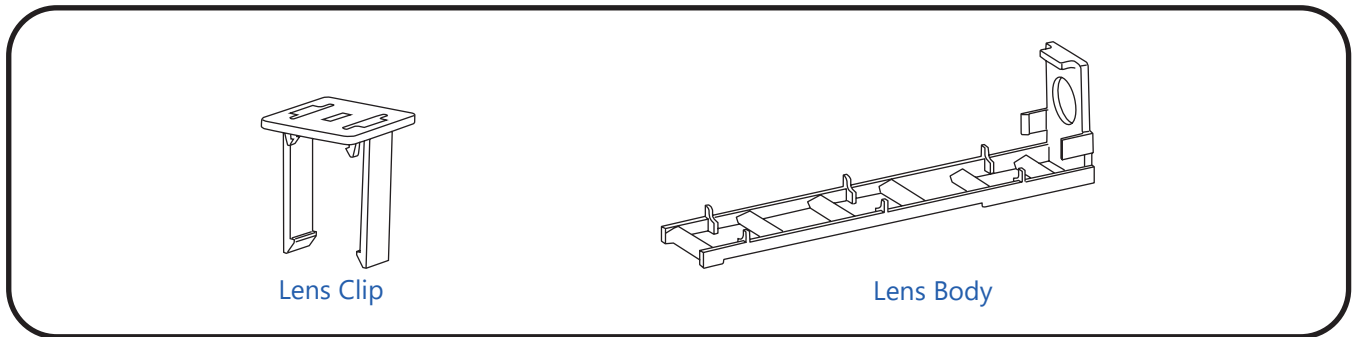
- ②B Using a screwdriver, gently pry the luminaire out of the mounting clips.

- ③ To insert a new luminaire, see Method 2.

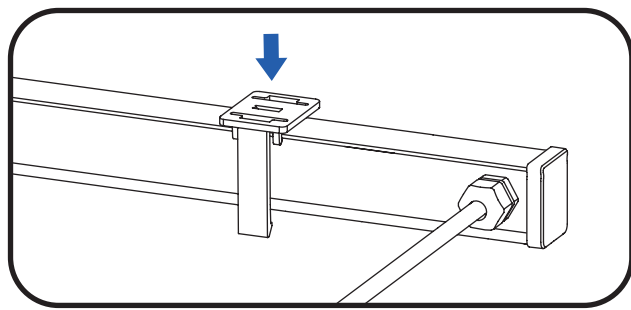
**To avoid damage, do not bend or otherwise exert excessive force on the connector during installation.**

### Installing the Optical Lens

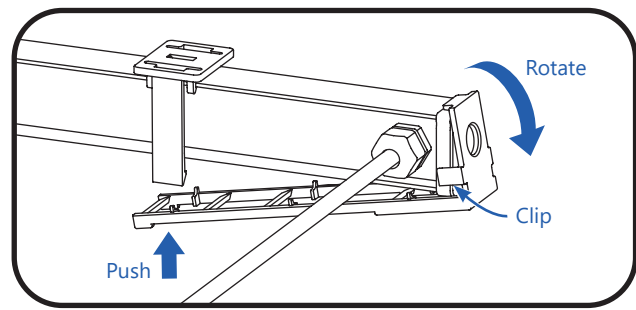
Accessory Type	SKU	Model	Description	Qty./box
LENS	93142258	CLIP-LENS-LYNK2	Clip lens for Batten Gen 3	100pcs/box



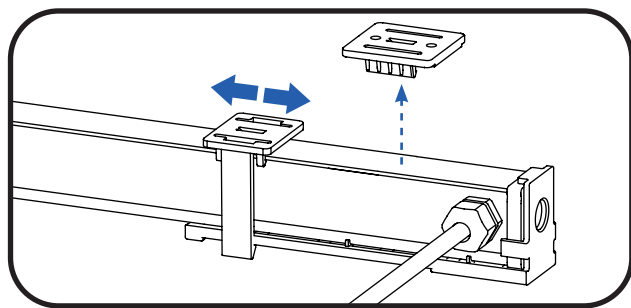
The optical lens has two parts: lens clip and lens body



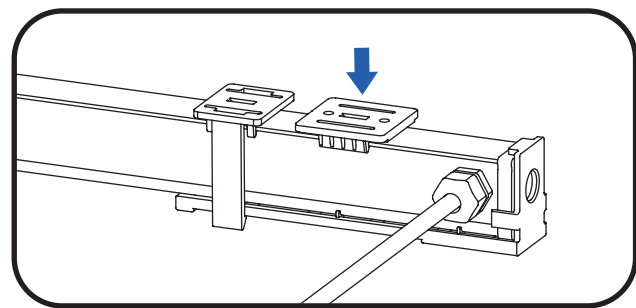
1 Press the lens clip into the luminaire enclosure.



2 Fix lens on end cap side first, then push the lens into the clip.



3 Slide the clip to the proper position so it will not interfere with the mounting clip.



4 Install the luminaire to the mounting clip.