

## USE & CARE

Place fire pit on level ground away from wind. Place two logs on the bottom of the base, then add three more logs in a cross pattern on top of them. Always use dry wood when possible. Wet wood will take longer to burn and will produce more smoke. The capacity of the fire pit is one pound logs or smaller.

Use paper or fire starter under the kindling and light with a match. Let the fire burn until the flames die down. When the flames die down, you should have white coals left. Be patient, as this could take up to 45 minutes, and you want the coals to be glowing.

Place Spark Guard on top of the Cleanburn Firepit to protect from sparks or embers flying out.

## REPLACEMENT PARTS

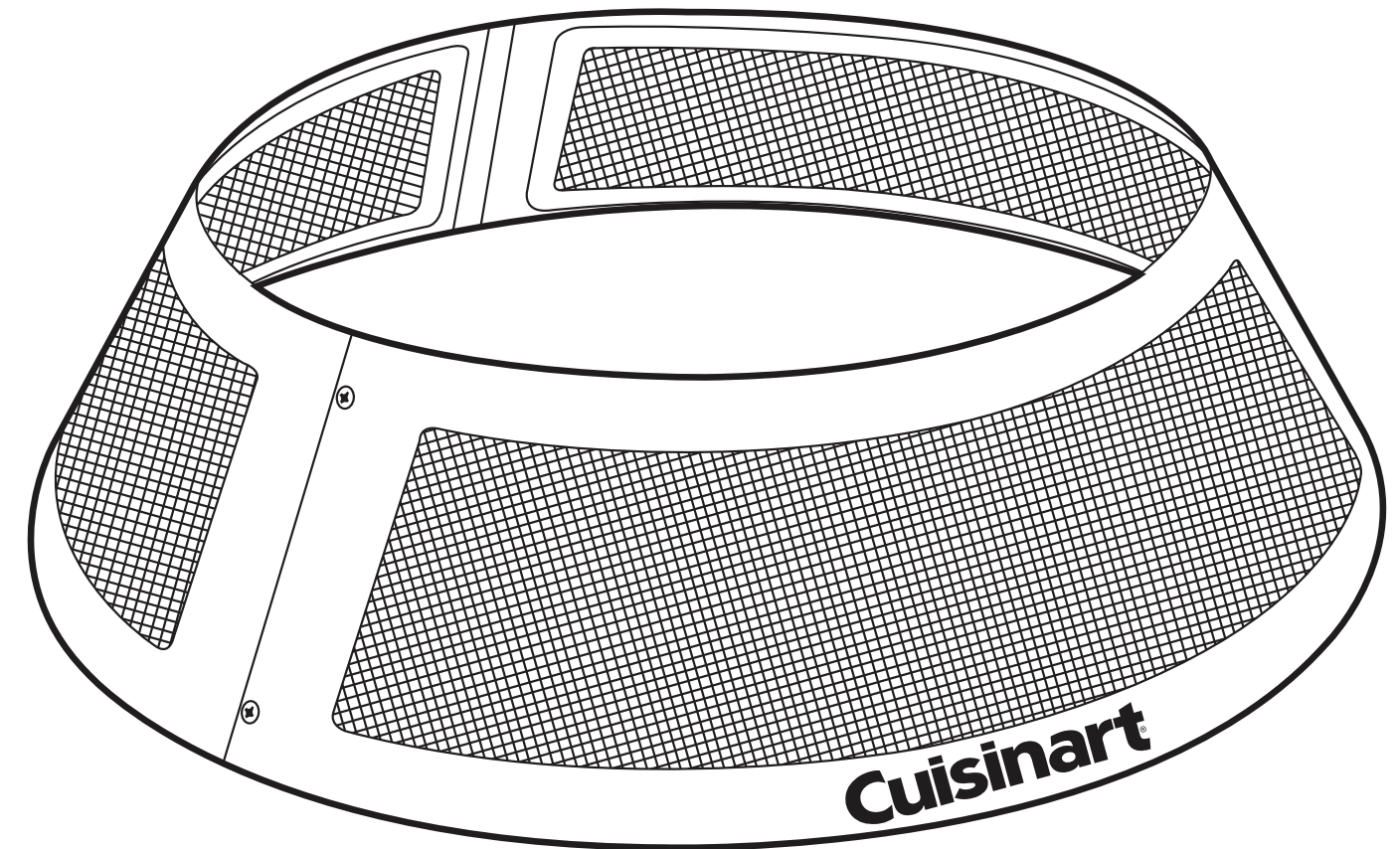
### PARTS LIST

PART #	DESCRIPTION	QTY
S60211	Spark Guard Section	(x3)
S60212	Hardware Pack	(x1)

**Cuisinart**<sup>®</sup>  
INSPIRED OUTDOOR LIVING

**CLEANBURN FIRE PIT  
SPARK GUARD  
MODEL NO: CHA-820**

OWNER'S MANUAL ASSEMBLY AND OPERATING INSTRUCTIONS



### **⚠ WARNING**

SAVE THIS OWNER'S MANUAL FOR FUTURE REFERENCE PLEASE READ THIS ENTIRE OWNER'S MANUAL BEFORE YOU INSTALL AND USE YOUR NEW FIRE PIT OR FIRE GRILL.

If this outdoor appliance is not properly installed, a house fire may result. To reduce the risk of fire, follow the installation instructions. Failure to follow these instructions can result in property damage, bodily injury, or even death.

**Customer Service Hotline**  
**1-866-994-6390**

### **DO NOT RETURN PRODUCT TO THE STORE**

Before visiting your local retailer, please email [consumercare@thefulhamgroup.com](mailto:consumercare@thefulhamgroup.com), call 1-866-994-6390, or visit [www.thefulhamgroup.com](http://www.thefulhamgroup.com) to online chat with a representative. To best serve you, our Representatives are available to answer your calls and live chats Monday to Friday, 9 AM - 5 PM EST.

Get Social With Us @CuisinartBBQ    YouTube

See our full line of premium Cuisinart<sup>®</sup> Outdoor Cooking Products at [www.cuisinart.com/outdoorgrilling](http://www.cuisinart.com/outdoorgrilling)

©2022 Cuisinart  
Cuisinart<sup>®</sup> is a registered trademark under license to The Fulham Group.  
Distributed by The Fulham Group, Newton, MA. 02466 U.S.A. MADE IN CHINA.  
Contact us at [consumercare@thefulhamgroup.com](mailto:consumercare@thefulhamgroup.com)  
One Year Limited Warranty.

Model # CHA-820  
North American Distributor:  
The Fulham Group  
Newton, MA 02466

**Cuisinart**  
SAVOR THE GOOD LIFE

**IMPORTANT SAFETY INFORMATION****⚠ WARNING:**

- For outdoor use only.
- Use only on level surfaces.
- Use only on brick, concrete, stone or other masonry surfaces.
- Do not use on lawns, wooden decks, artificial wood or asphalt.
- Keep the outdoor fire pit a minimum of 10 ft. away from buildings, structures, any flammable items and vehicles.
- Do not allow children to climb the product.
- Never leave fire pit unattended, especially when children and/or pets are nearby.
- When wood is burned slowly, it produces tar and other organic vapors that combine with expelled moisture to form creosote. The creosote vapors condense on relatively cooler surfaces like the exhaust vents. As a result, creosote residue accumulates on these surfaces. When ignited, this creosote makes an extremely hot fire. To prevent this do a deep clean on the internal components of the fire pit at least twice a year.
- Keep fire pit clean. When ash or creosote has accumulated, it should be cleaned to reduce risk of fire.

See Care and Maintenance section.

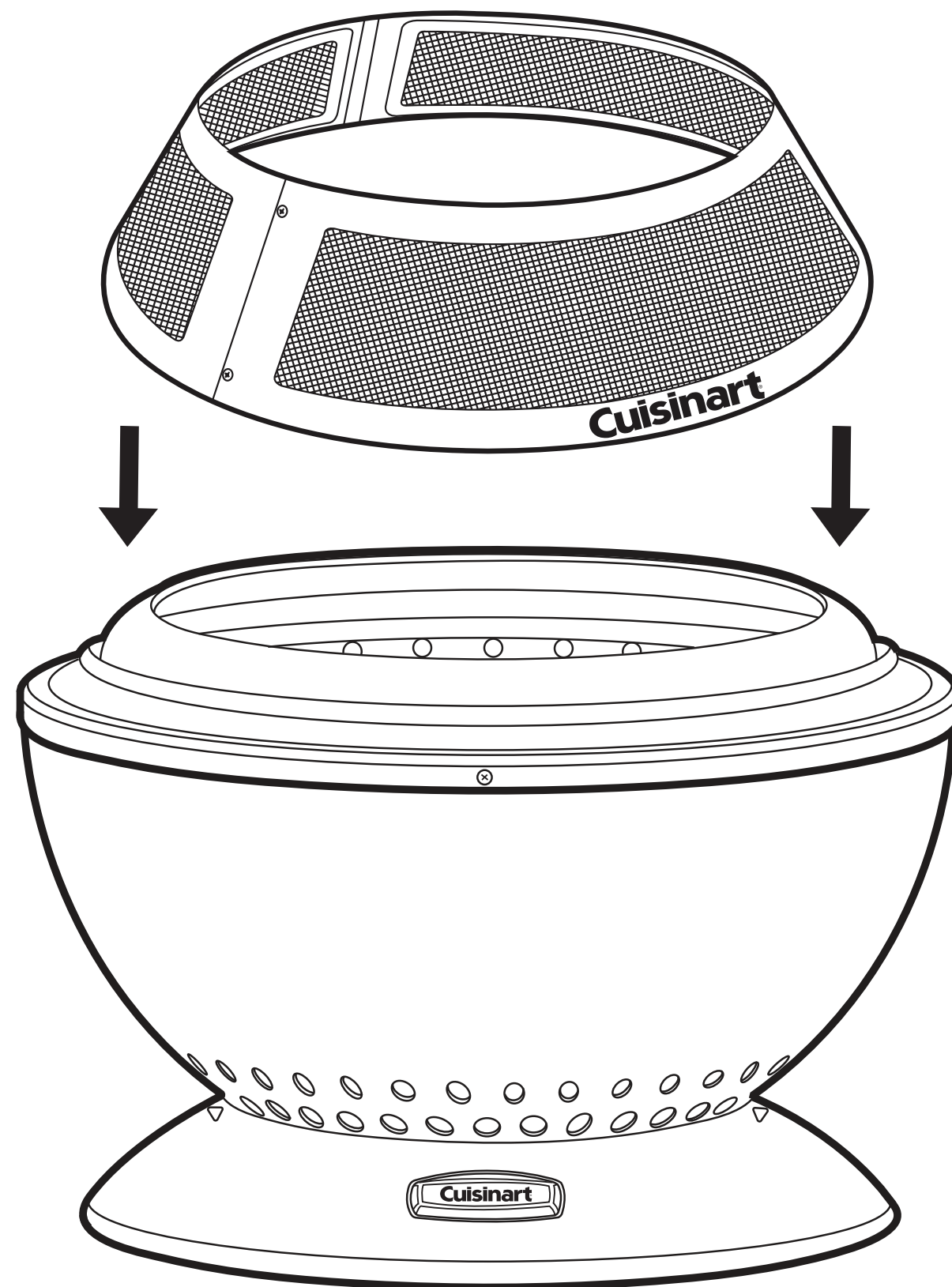
- The surfaces of the fire pit will get very hot during regular use and can be a burn hazard. Do not leave unattended when children are present and keep away from combustible materials.
- To avoid accidental burns wear heat resistant mitts, use long handled tools, handles, and knobs when operating the fire pit.
- NEVER use gasoline, gasoline-type lantern fuel, kerosene, charcoal lighter fluid, or similar liquids to start or "freshen up" a fire in this appliance. Keep all such liquids well away from the appliance when in use.
- Never attempt to touch or move the fire pit during use or before it has completely cooled down.
- After a period of storage, inspect the fire pit for abrasion, wear or damage.
- Before covering your fire pit, make sure it has cooled completely.
- Do not operate this fire pit while under the influence of drugs, alcohol, or while fatigued.
- Do not use this fire pit unless it is completely assembled, and all parts are securely fastened and tightened.
- Never use under low hanging tree branches, trellises or overhangs of any kind including covered porches.
- Always use fire pit in accordance with all applicable local, state, and national codes. Contact your local fire department for details.
- When using the fire pit, exercise the same precautions you would with any open fire.
- Do not use fire pit until you have read the operating instructions and user warnings
- Fire pit is designed for use with standard firewood logs and may not function properly with other fuel sources.
- Do not store or use gasoline or any other flammable vapors or liquids in the vicinity of the fire pit.
- Do not store LP gas cylinders within 30 ft of fire pit while in use.
- Do not use fire pits near automobiles, trucks, vans, or recreational vehicles.

**WARNINGS AND USAGE**

- Never use gasoline, alcohol or volatile fluids to start or restart fires.
- For longer product life, keep fires to a respectable size, do not overload.
- The outdoor fire pit is for adult use only.
- Before each use make sure the outdoor fire pit is in good working condition.
- Do not leave unattended at any time during use.
- Do not use in windy conditions.
- Do not load the wood above the ventilation holes at the top of the fire bowl.
- Use caution when tending the fire, as surfaces will become very hot while in use.
- Keep the wind guard in place while using as a fire pit.
- Use heat resistant gloves to remove the wind guard. The wind guard will become very hot.
- Use caution when removing the wind guard, as hot steam or a flare up could cause burns.
- Use caution after the fire has been extinguished. Surfaces will remain hot for some time.

**STEP 4**

Position the assembled Spark Guard onto your Clean Burn Fire Pit over the top of the wind guard ring.



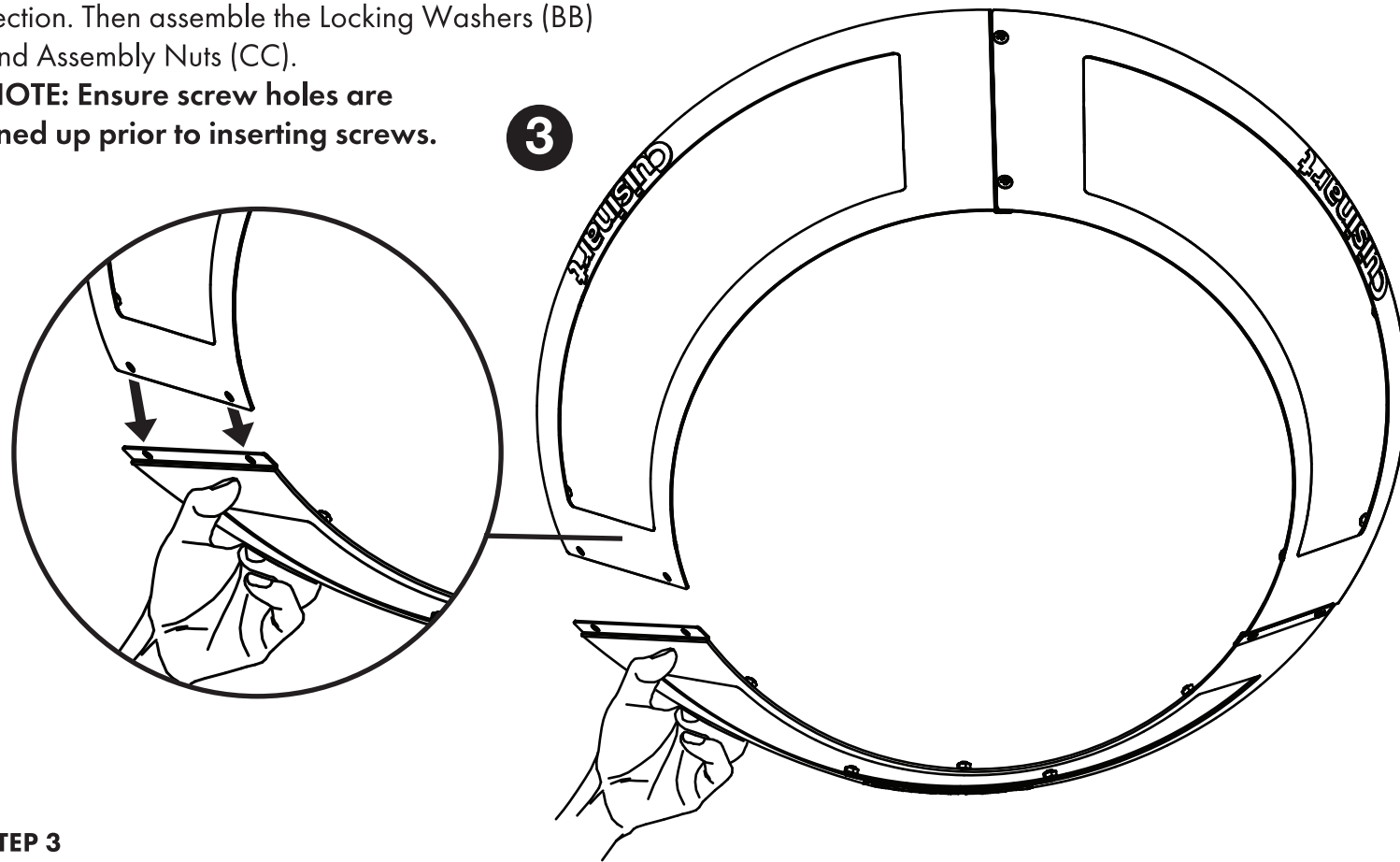


## ASSEMBLY INSTRUCTIONS

### STEP 2

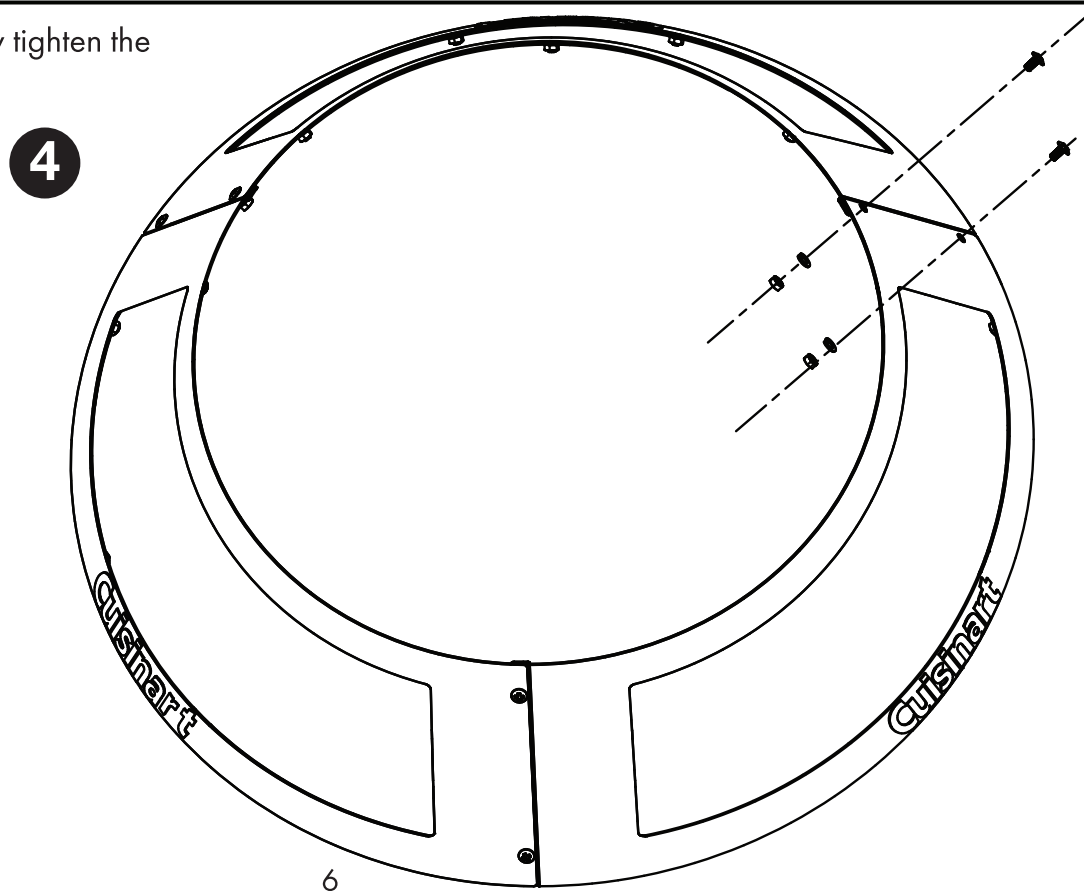
Pull sections together, use one hand to hold in place while inserting two Assembly Screws (AA) into each section. Then assemble the Locking Washers (BB) and Assembly Nuts (CC).

**NOTE: Ensure screw holes are lined up prior to inserting screws.**



### STEP 3

With all sections assembled, fully tighten the Assembly Nuts (CC).



## SAFETY INFORMATION

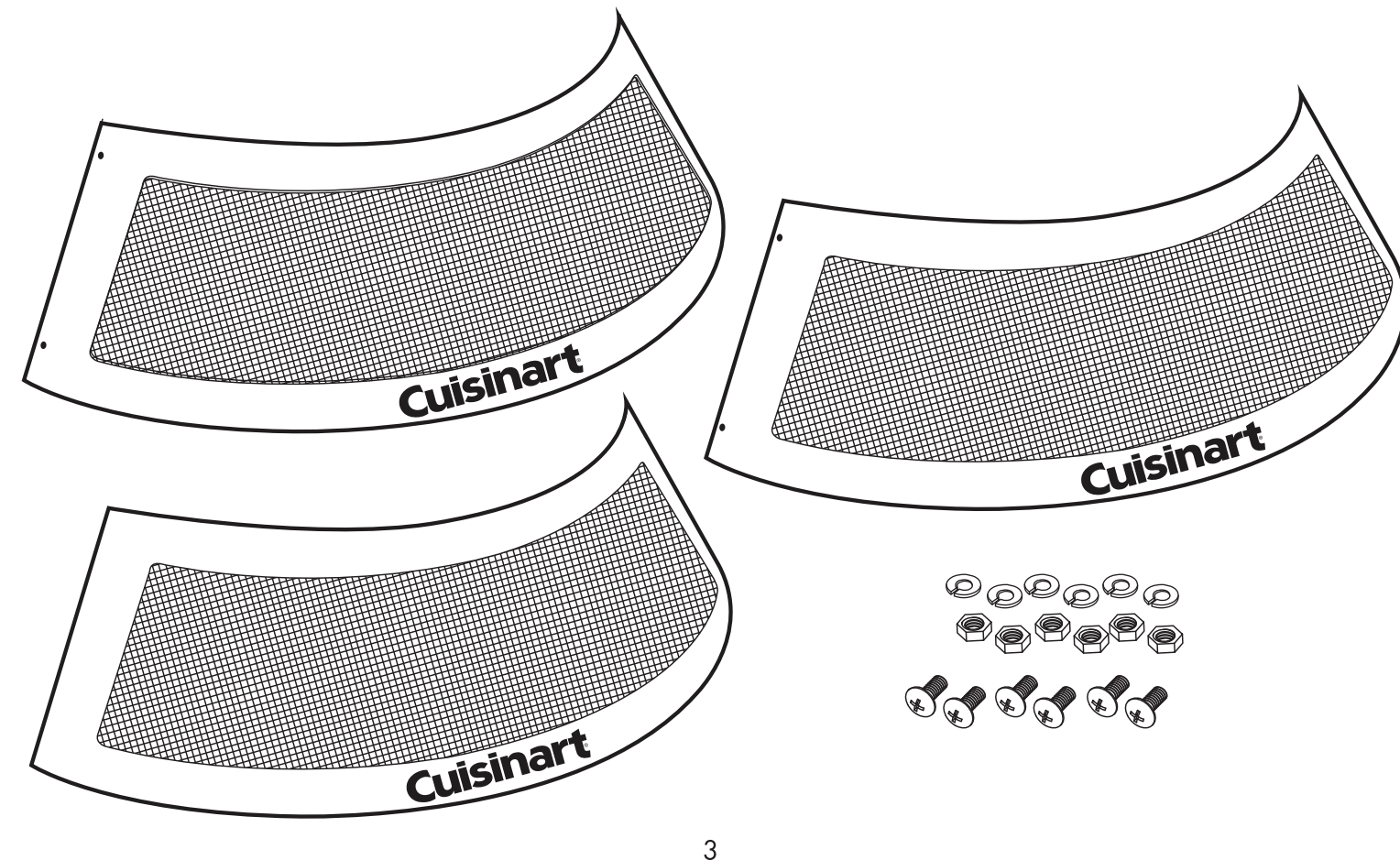
- The outdoor fire pit must be completely cooled off and all embers must be extinguished before any cover can be used.
- **CARBON MONOXIDE HAZARD!** Burning wood or charcoal produces carbon monoxide, which has no odor and can cause death if burned in enclosed areas. Never burn wood or charcoal inside homes, vehicles, tents or any other enclosed areas.

### GENERAL WARNINGS

- Keep the area around the fire pit clear and free of any combustible materials, gasoline, or any other flammable liquids. Do not use fire pit in an explosive environment.
- Do not wear flammable or loose clothing when operating the fire pit.
- Do not remove any coals or ash or clean the fire pit until the coals and ash are completely extinguished and the unit has completely cooled.
- Do not lean over fire pit when lighting or when in use.
- Avoid breathing smoke from the fire and avoid getting smoke in your eyes.
- Do not use water to extinguish the fire as it could cause damage to the fire pit as well as injury to the user.
- Serious injury, death, and/or property damage may occur if the above instructions are not followed exactly.

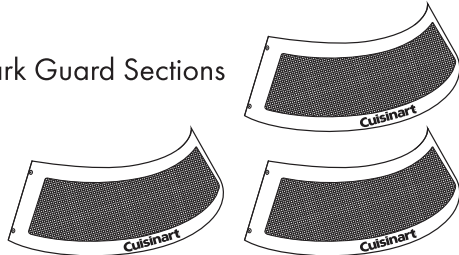
Before assembling, carefully remove all the packaging materials and check to make sure all the product parts are included. If anything is damaged or missing, please contact Consumer Cares at [customerservice@thefulhamgroup.com](mailto:customerservice@thefulhamgroup.com).

## WHAT'S IN THE BOX

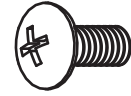




WHAT'S IN THE BOX

COMPONENTS

PART	DESCRIPTION	QTY
A	Spark Guard Sections 	(x3)

HARDWARE

PART	DESCRIPTION	QTY
AA	Assembly Screw 	(x6)
BB	Locking Washer 	(x6)
CC	Assembly Nut 	(x6)

ASSEMBLY INSTRUCTIONS

STEP 1

**TOOLS NEEDED: PHILLIPS HEAD SCREWDRIVER. KEEP INSTRUCTION MANUAL FOR FUTURE REFERENCE.**

**CONFIRM ALL PARTS ARE PRESENT.**

Gather the six Assembly Screws (AA), six Locking Washers (BB), and six Assembly Nuts (CC) to assemble the 3 Spark Guard sections.

**NOTE: Only tighten the Assembly Nuts (CC) half way for now.**

