



Fall Protection

Support from below for protection up top.

3M™ DBI-SALA® Flexiguard™ C-Frame

The C-Frame System is a mobile and versatile solution designed to be positioned manually, or with the use of a tow bar (optional) and service vehicle. The freestanding design utilizes protruding outriggers that extend below the work surface for stability. Available in adjustable height and fixed height models for a wide variety of applications.



Features:

- ▶ System contains a single rail rated for two users.
- ▶ User weight: 310 lbs. (141 kg) or less.
- ▶ Systems include heavy-duty leveling jacks.
- ▶ Lightweight aluminum construction.
- ▶ Designed to be moved manually or pulled using a tow bar.
- ▶ Designed to be positioned under equipment with minimal ground clearances.
- ▶ Adjustable Height Models.
- ▶ Adjustable in height using chain drive system.
- ▶ Four 16" (0.4m) foam filled rear swivel wheels, two 8" (0.2m) urethane front swivel wheels with swivel locks and breaks



Watch Video

Target Applications:



Transportation

- ▶ Buses/flatbed trailers
- ▶ Heavy equipment

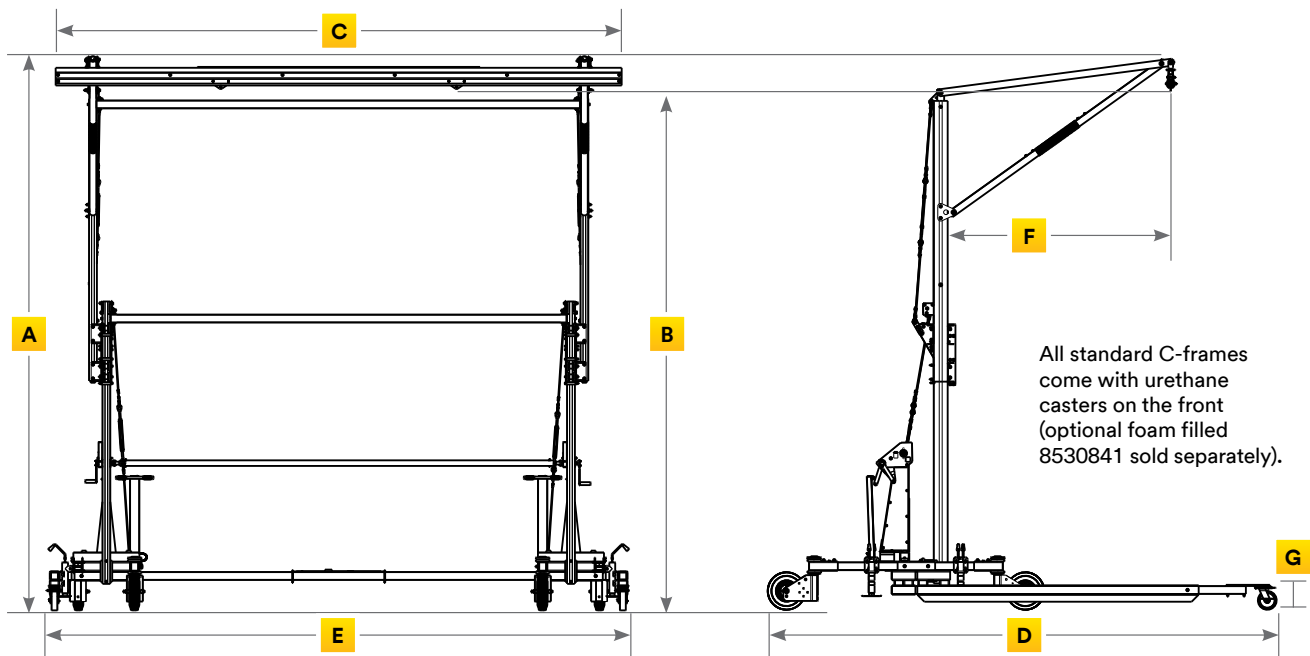


Defense

- ▶ Planes
- ▶ Helicopters



Conforms to the requirements of 29 CFR OSHA 1910.140 | 29 CFR OSHA 1926.502
For use in Canada, please review applicable provincial regulations.



Accessories



8518243
Tow bar with
pintle hitch
attachment.



8526761
Tow bar
storage
pocket.



8530841
16 in (0.4m)
foam filled
front wheels.



8547277
Grounding
reel and
bracket kit.

Fixed Height Models									
SKU	Weight	"A" Overall Height	"B" Anchor Height	"C" Rail Width	"D" Base Length	"E" Base Width	"F" Offset	"G" Outrigger Height	OSHA SRL Rating
8530842	1,450 lb (658 kg)	21' 1" (6.4m)	20' (6.1m)	15' (4.6m)	18' 1" (5.5m)	16' 6" (5.0m)	7' 11" (2.4m)	11" (0.28m)	≤ 1,350 lb. (6 kN) MAF & ≤ 900 lb. (4 kN) AAF
8530843	1,650 lb (893 kg)	26' 1" (7.9m)	25' (7.6m)	15' (4.6m)	18' 1" (5.5m)	16' 6" (5.0m)	7' 11" (2.4m)	11" (0.28m)	≤ 1,350 lb. (6 kN) MAF & ≤ 900 lb. (4 kN) AAF
8530844	1,600 lb (725 kg)	21' 1" (6.4m)	20' (6.1m)	20' (6.1m)	18' 1" (5.5m)	21' 6" (6.5m)	7' 11" (2.4m)	11" (0.28m)	≤ 1,350 lb. (6 kN) MAF & ≤ 900 lb. (4 kN) AAF
8530845	1,650 lb (893 kg)	26' 1" (7.9m)	25' (7.6m)	20' (6.1m)	18' 1" (5.5m)	21' 6" (6.5m)	7' 11" (2.4m)	11" (0.28m)	≤ 1,350 lb. (6 kN) MAF & ≤ 900 lb. (4 kN) AAF

Adjustable Height Models									
SKU	Weight	"A" Overall Height	"B" Anchor Height	"C" Rail Width	"D" Base Length	"E" Base Width	"F" Off- set	"G" Outrigger Height	OSHA SRL Rating
8517701	1,650 lb (749 kg)	13' 3"-9' 7" (4.0m-6.0m)	12' 4"-18' 8" (3.8m-5.7m)	10' (3.0m)	18' 1" (5.5m)	10' 7" (3.2m)	7' 11" (2.4m)	11" (0.28m)	≤ 1,350 lb. (6 kN) MAF & ≤ 900 lb. (4 kN) AAF
8517703	1,970 lb (893 kg)	13' 3"-9' 7" (4.0m-6.0m)	12' 4"-18' 8" (3.8m-5.7m)	15' (4.6m)	18' 1" (5.5m)	15' 6" (4.7m)	7' 11" (2.4m)	11" (0.28m)	≤ 1,350 lb. (6 kN) MAF & ≤ 900 lb. (4 kN) AAF
8517705	2,097 lb (951 kg)	13' 3"-9' 7" (4.0m-6.0m)	12' 4"-18' 8" (3.8m-5.7m)	20' (6.1m)	18' 1" (5.5m)	20' 6" (6.2m)	7' 11" (2.4m)	11" (0.28m)	≤ 1,350 lb. (6 kN) MAF & ≤ 900 lb. (4 kN) AAF
8517707	2,104 lb (954 kg)	18' 2"-29' 8" (5.6m-9.0m)	17' 2"-28' 7" (5.2m-8.7m)	15' (4.6m)	18' 1" (5.5m)	15' 6" (4.7m)	7' 11" (2.4m)	11" (0.28m)	≤ 1,350 lb. (6 kN) MAF & ≤ 900 lb. (4 kN) AAF
8517709	2,232 lb (1012 kg)	18' 2"-29' 8" (5.6m-9.0m)	17' 2"-28' 7" (5.2m-8.7m)	20' (6.1m)	18' 1" (5.5m)	20' 6" (6.2m)	7' 11" (2.4m)	11" (0.28m)	≤ 1,350 lb. (6 kN) MAF & ≤ 900 lb. (4 kN) AAF
8517711	2,238 lb (1015 kg)	23' 4"-39' 8" (7.1m-12.1m)	22' 2"-38' 6" (6.8m-11.8m)	15' (4.6m)	18' 1" (5.5m)	15' 6" (4.7m)	7' 11" (2.4m)	11" (0.28m)	≤ 1,350 lb. (6 kN) MAF & ≤ 900 lb. (4 kN) AAF
8517713	2,366 lb (1073 kg)	23' 4"-39' 8" (7.1m-12.1m)	22' 2"-38' 6" (6.8m-11.8m)	20' (6.1m)	18' 1" (5.5m)	20' 6" (6.2m)	7' 11" (2.4m)	11" (0.28m)	≤ 1,350 lb. (6 kN) MAF & ≤ 900 lb. (4 kN) AAF

Find complete product information
at [3M.com/FallProtection](https://www.3m.com/FallProtection).



3M Fall Protection
3833 SALA Way
Red Wing, MN 55066 USA

Phone 800.328.6146
Email 3mfallprotection@mmm.com
Web [3M.com/FallProtection](https://www.3m.com/FallProtection)

3M, DBI-SALA and Flexiguard are trademarks of 3M.
Please recycle. Printed in USA.
© 3M 2022. All rights reserved. 70-0717-6961-2