

Cuisinart®

Can Opener

CCO-55 SERIES



Instruction
& Recipe
Booklet

For your safety and continued enjoyment
of this product, always read the instruction
book carefully before using.

IMPORTANT SAFEGUARDS

When using electrical appliances, basic safety precautions should always be followed including the following:

1. **READ ALL INSTRUCTIONS.**
2. **Unplug from the outlet when not in use, before assembling or disassembling parts and before cleaning. To unplug, grasp the plug and pull from the outlet. Never pull from the power cord.**
3. To protect against risk of electrical shock, do not immerse cord, plug or can opener in water or other liquid.
4. This appliance is not intended for use by persons (including children) with reduced physical, sensory, or mental capabilities, or lack of experience and knowledge, unless they are closely supervised and instructed concerning use of the appliance by a person responsible for their safety. Close supervision is necessary when any appliance is used by or near children. Children should be supervised to ensure that they do not play with the appliance.
5. Avoid contact with moving parts.
6. Do not operate any appliance with a damaged cord or plug or after the appliance malfunctions, or is dropped or damaged in any manner. Contact the manufacturer at their customer service telephone number for information on examination, repair, or adjustment.
7. The use of attachments not recommended or sold by Cuisinart may cause fire, electrical shock, or risk of injury.
8. Do not use outdoors.
9. Do not let cord hang over edge of table or counter, or touch hot surfaces.
10. Do not open pressured (aerosol type) cans.
11. Do not open cans of flammable liquids such as lighter fluid.
12. Do not use can opener for other than intended use.
13. Do not leave unattended while in use.
14. This appliance is intended for household use only and not for commercial or industrial use.

-
15. **Caution:** Do not immerse in water.
 16. Do not operate your appliance in an appliance garage or under a wall cabinet. **When storing in an appliance garage always unplug the unit from the electrical outlet.** Not doing so could create a risk of fire, especially if the appliance touches the walls of the garage or the door touches the unit as it closes.

FOR HOUSEHOLD USE ONLY

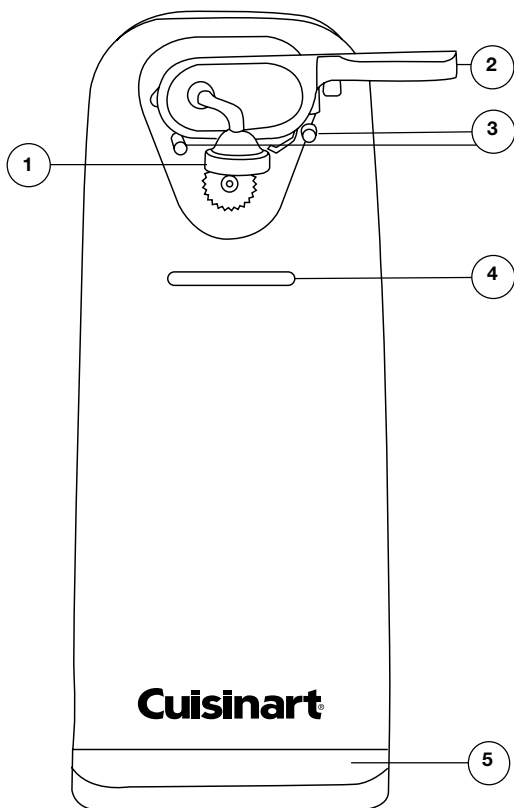
SAVE THESE INSTRUCTIONS

NOTICE

This appliance has a polarized plug (one blade is wider than the other). As a safety feature, this plug will fit in a polarized outlet only one way. If the plug does not fit fully in the outlet, reverse the plug. If it still does not fit, contact a qualified electrician. Do not attempt to defeat this safety feature.

OPERATING INSTRUCTIONS

1. Plug cord into outlet.
2. Raise lever.
3. Position your can under the guiding posts and lower the lever, making sure the Power Cut® blade is positioned inside the rim of the can.
4. Once the Power Cut® blade pierces the can, cutting begins. There is no need to hold the can or the lever down during cutting.
5. Cutting action will automatically stop, once the can is completely open.
6. The can will remain in position until lever is lifted.
7. To remove can, hold can firmly with one hand while lifting lever with other hand.
8. Carefully remove the lid from the magnet.



1. Power Cut® Blade Assembly

2. Can Opener Lever

3. Guide Posts

4. Can Rest

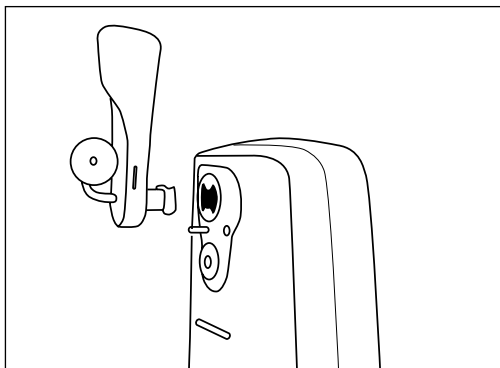
5. Base

6. Cord Storage (not shown)

7. BPA-Free (not shown): All parts that come in contact with food are BPA-Free.

CLEANING & MAINTENANCE

1. Be sure plug has been removed from outlet.
2. Remove can opener lever by lifting and pulling toward you. **Use caution, as the blade will be sharp.**
3. Wash by hand with hot, soapy water or place in the top shelf of a dishwasher. Dry thoroughly.
4. Wipe body of can opener with damp cloth. (Caution: Do not immerse in water.)
5. Replace can opener lever by holding in the raised position and pushing back into place. Be sure the lever is pushed all the way in before lowering lever.
6. **Maintenance:** Any other servicing should be performed by an authorized service representative.



SUGGESTIONS

This can opener will open all standard size cans. It should not be used on cans that have alternate methods of opening (including but not limited to pull-tabs, rolling key and peel-off foil). It also should not be used with rimless cans or cans with angled corners.

Cans with aluminum lids will not adhere to magnet.

If there is a dent in the rim of the can, open other side or place the Power Cut® blade beyond the dent. If the can opener stalls, use a light touch to turn the can to aid the cutting process.

Limited Warranty

Subject to the exclusions and limitations contained herein, Conair LLC dba Cuisinart (“Cuisinart”) warrants that the Cuisinart® Can Opener (“Product”) will be free from material defects in materials and workmanship under normal home use conditions for a period of THREE (3) years beginning on the date the Product was purchased in its original, sealed packaging, unless otherwise specified in this Limited Warranty. This Limited Warranty is only for U.S. consumers (defined herein as purchasers at retail for personal, family, or household use) who originally purchase the Product from Cuisinart or an authorized Cuisinart® reseller (if you are unsure whether a retailer or other point of sale is an authorized or unauthorized Cuisinart reseller, contact Cuisinart).

This Limited Warranty does NOT cover:

- Normal wear and tear;
- Any Product purchased by commercial purchasers or for commercial or non-household uses;
- Accessories, parts, or software added to the Product after the system is shipped from Cuisinart;
- Any costs associated with the replacement or repair of the Product, including labor, installation, or other costs incurred by you without prior Cuisinart approval;
- Damage to the Product, defective conditions, or nonconformities due to: (1) external causes, including shipping, accidents, problems with electrical power (Product designed only for use with 120-volt outlets), abnormal conditions (such as mechanical or environmental); (2) usage not in accordance with Product instructions; (3) misuse, neglect, unauthorized alteration, unauthorized repair; and (4) acts of god or other events beyond Cuisinart’s control;
- Though necessary repairs and maintenance might be performed by any company, damage caused by you or any nonauthorized third party, may void, this Limited Warranty;
- Damage caused by accessories or replacement parts not specifically authorized by Cuisinart, may void, this Limited Warranty; and
- Any Product where the original Product identification markings (trademark or serial number) have been removed, altered, or obliterated from the Product.

It is recommended that you visit the website, <https://cuisinart.registria.com>, for a fast, efficient way to complete your product registration. However, product registration does not eliminate the need for the consumer to maintain the original proof of purchase in order to obtain the warranty benefits. In the event that you do not have proof of purchase date, the purchase date for purposes of this Limited Warranty will be the date of manufacture.

Hassle-free warranty

If the Product that is the subject of this Limited Warranty fails during the warranty period for reasons covered by this Limited Warranty, Cuisinart will, at its option, repair the Product, replace the Product with another identical or reasonably equivalent product, or if Cuisinart is unable to repair or replace the Product, refund the purchase price, less the amount directly attributable to the consumer's prior usage of the Product. To obtain a return shipping label, email us at <https://www.cuisinart.com/customer-care/product-assistance/product-inquiry/>, or call our Consumer Service Center toll-free at **1-800-726-0190** to speak with a representative.

Upon receipt of the Product, Cuisinart will inspect the Product and, if required under this Limited Warranty, attempt to repair, replace, or refund the Product within thirty (30) days. However, there may be delays beyond Cuisinart's control, in which case that time period may be extended as reasonably necessary.

IMPORTANT: If the nonconforming Product is to be serviced by someone other than Cuisinart's Authorized Service Center, please remind the servicer to call our Consumer Service Center at 1-800-726-0190 to ensure that the problem is properly diagnosed, the Product is serviced with the correct parts, and the product is still under warranty.

California Residents Only

The three (3) year Limited Warranty period begins on the date the Product was delivered, which may be different than the date the Product was purchased. California residents also have the option of obtaining the benefits of this Limited Warranty by bringing the Product to (A) the store where it was purchased or (B) another retail store that sells Cuisinart products of the same type. The retail store shall then, according to its preference, either repair the Product, refer the consumer to an independent repair facility, replace the Product with another identical or reasonably equivalent product, or refund the purchase price less the amount directly attributable to the consumer's prior usage of the Product. California residents may also, according to their preference, return nonconforming products directly to Cuisinart for repair or, if necessary, replacement with another identical or reasonably equivalent product by calling our Consumer Service Center toll-free at 1-800-726-0190. Cuisinart will be responsible for the cost of such repair, replacement, and/or shipping and handling for such nonconforming products under warranty.

THIS LIMITED WARRANTY GIVES YOU SPECIFIC LEGAL RIGHTS, AND YOU MAY ALSO HAVE OTHER RIGHTS THAT VARY FROM STATE TO STATE OR BY JURISDICTION. IN THE EVENT THIS LIMITED WARRANTY IS BREACHED, YOU MAY HAVE CLAIMS FOR REPLACEMENT, DAMAGES, OR OTHER PENALTIES

LIMITATIONS OF LIABILITY/ADDITIONAL LIMITATIONS AND EXCLUSIONS

ALL EXPRESS AND IMPLIED WARRANTIES ARE LIMITED IN DURATION TO THE LIMITED WARRANTY PERIOD. NO WARRANTIES APPLY AFTER THAT PERIOD. SOME STATES DO NOT ALLOW LIMITATIONS ON HOW LONG AN IMPLIED WARRANTY LASTS, SO THIS LIMITATION MAY NOT APPLY TO YOU. CUISINART'S RESPONSIBILITY UNDER THIS OR ANY OTHER WARRANTY, IMPLIED OR EXPRESS, IS LIMITED TO REPAIR, REPLACEMENT, OR REFUND, AS SET FORTH ABOVE. THESE REMEDIES ARE THE SOLE AND EXCLUSIVE REMEDIES FOR ANY BREACH OF WARRANTY. TO THE MAXIMUM EXTENT PERMITTED BY LAW, CUISINART IS NOT RESPONSIBLE FOR ANY DIRECT, INDIRECT, SPECIAL, INCIDENTAL, OR CONSEQUENTIAL DAMAGES RESULTING FROM ANY BREACH OF WARRANTY OR UNDER ANY OTHER LEGAL THEORY (INCLUDING, BUT NOT LIMITED TO, LOST PROFITS, DOWNTIME, GOODWILL, DAMAGE TO OR REPLACEMENT OF EQUIPMENT AND PROPERTY, AND ANY COSTS OF RECOVERING, REPROGRAMMING, OR REPRODUCING ANY PROGRAM OR DATA STORED IN OR USED WITH A SYSTEM CONTAINING THE PRODUCT), EVEN IF CUISINART HAS BEEN ADVISED OF THE POSSIBILITY OF SUCH DAMAGES. SOME STATES DO NOT ALLOW THE EXCLUSION OR LIMITATION OF INCIDENTAL OR CONSEQUENTIAL DAMAGES, SO THE ABOVE LIMITATIONS OR EXCLUSIONS MAY NOT APPLY TO YOU. ALL EXPRESS AND IMPLIED WARRANTIES ARE LIMITED IN DURATION TO THE LIMITED WARRANTY PERIOD. NO WARRANTIES APPLY AFTER THAT PERIOD. SOME STATES (OR JURISDICTIONS) DO NOT ALLOW LIMITATIONS ON HOW LONG AN IMPLIED WARRANTY LASTS, SO THIS LIMITATION MAY NOT APPLY TO YOU.

This Limited Warranty is issued by:

**Conair LLC
1 Cummings Point Road
Stamford, CT 06902
1-800-726-0190**

©2024 Cuisinart
Glendale, AZ 85307
Printed in China
24CE93937

IB-12644-ESP-E

Cuisinart®

Abrelatas Eléctrico

SERIE CCO-55



Manual de
Instrucciones

Para su seguridad y para disfrutar plenamente de este producto, siempre lea atentamente las instrucciones antes del uso.

MEDIDAS DE SEGURIDAD IMPORTANTES

Siempre que use aparatos eléctricos, debe tomar precauciones básicas de seguridad, entre las cuales las siguientes:

1. **LEA TODAS LAS INSTRUCCIONES.**
2. **Desenchufe el aparato cuando no esté en uso, antes de instalar/sacar piezas y antes de limpiarlo. Para desenchufar, agarre el enchufe y jálelo para sacarlo de la toma de corriente. Nunca jale el cable.**
3. Para reducir el riesgo de electrocución, no sumerja el cable, la clavija o el cuerpo del aparato en agua u otro líquido.
4. Los niños o las personas que carezcan de la experiencia o de los conocimientos necesarios para manipular el aparato, o aquellas cuyas capacidades físicas, sensoriales, o mentales estén limitadas, no deben usar el aparato sin la supervisión o la dirección de una persona responsable por su seguridad. Supervise el uso de este aparato cuidadosamente cuando sea usado por o cerca de niños. No permita que los niños jueguen con este aparato.
5. Evite el contacto con las piezas móviles.
6. No use este aparato si el cable o el enchufe están dañados, si no funciona correctamente, si está dañado, o después de que se haya caído, incluso en el agua; Llame al servicio de atención al cliente del fabricante para obtener información sobre cómo hacer revisar, reparar o ajustar el aparato.
7. El uso de accesorios no recomendados o vendidos por Cuisinart presenta un riesgo de incendio, electrocución o herida.
8. No lo utilice en exteriores.
9. No permita que el cable cuelgue del borde de la encimera o de la mesa, ni que haga contacto con superficies calientes.
10. No lo utilice para abrir latas presurizadas (en aerosol).
11. No lo utilice para abrir latas que contengan líquidos inflamables como líquido para encendedor/
12. No lo utilice para ningún otro fin que no sea el indicado.
13. No deje el aparato desatendido mientras esté funcionando.
14. Para uso doméstico solamente. No aprobado para uso comercial o industrial.

-
15. **Precaución:** No lo sumerja en agua.
 16. No haga funcionar el aparato bajo o adentro de un armario. **Siempre desconecte el aparato antes de guardarlo en un armario.**

Dejar el aparato conectado presenta un riesgo de incendio, especialmente si éste toca las paredes o la puerta del armario cuando cierra.

PARA USO DOMÉSTICO SOLAMENTE

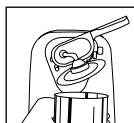
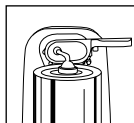
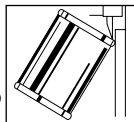
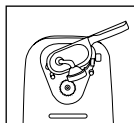
GUARDE ESTAS INSTRUCCIONES

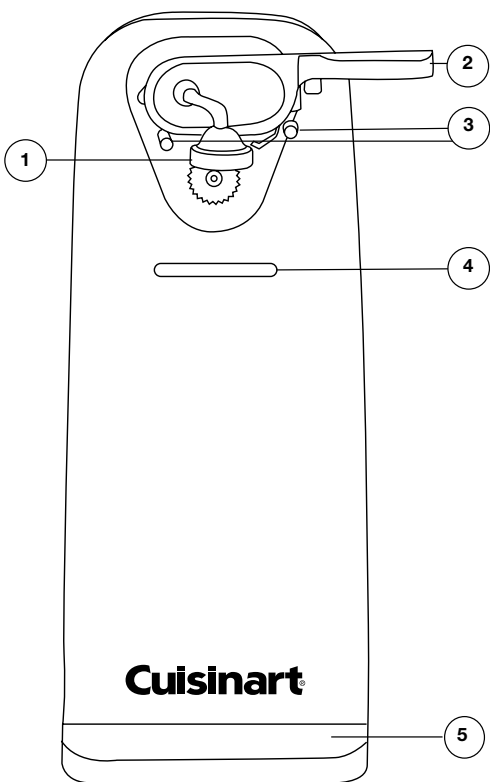
AVISO

El cable de este aparato está dotado de una clavija polarizada (una pata es más ancha que otra). Como medida de seguridad, se podrá enchufar de una sola manera en la toma de corriente polarizada. Si no entrara en la toma de corriente, invírtala. Si aún no entrara completamente, comuníquese con un electricista. No intente ir en contra de esta función de seguridad.

INSTRUCCIONES DE OPERACIÓN

1. Conecte el cable a la toma de corriente.
2. Alce la palanca.
3. Posicione la lata debajo de las guías y baje la palanca de perforación, asegurándose de que la cuchilla Power Cut® esté adentro de la orilla de la lata.
4. La cuchilla Power Cut® empezará a abrir la lata. No es necesario sostener la lata o la palanca durante el corte.
5. El motor se detendrá automáticamente tras abrir la lata.
6. La lata permanecerá sujeta hasta que alce la palanca.
7. Para retirar la lata, sostenga firmemente la lata con una mano mientras alza la palanca con la otra.
8. Retire cuidadosamente la tapa del sujetatapas magnético.

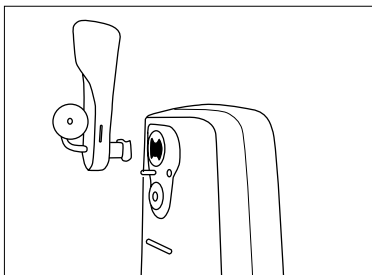




1. Cuchilla Power Cut®
 2. Palanca de perforación
 3. Guías
 4. Soporte para la lata
 5. Base
 6. Espacio para guardar el cable (no ilustrado)
 7. Sin BPA (no ilustrado): Ninguna de las piezas en contacto con los alimentos contiene bisfenol A (BPA).
-

LIMPIEZA Y MANTENIMIENTO

1. Desconecte el aparato.
2. Retire la palanca de perforación, alzando ésta y jalando hacia su cuerpo. **Tenga cuidado, ya que la cuchilla es muy filosa.**
3. Lave la palanca en agua jabonosa tibia, o en la bandeja superior del lavavajillas. Seque bien.
4. Limpie el cuerpo del aparato con un paño ligeramente humedecido. Precaución:
No lo sumerja en agua.
5. Vuelva a instalar la palanca, manteniéndola recta y presionando hasta que encaje en su lugar. Cerciórese de introducir la palanca hasta el fondo antes de bajarla.
6. **Mantenimiento:** Cualquier otro servicio debe ser realizado por un técnico autorizado.



SUGESTIONES

Este abrelatas es capaz de abrir cualquier lata de tamaño estándar.

No debe usarse para abrir latas con sistema de apertura especial (anilla, llave, etc.). Tampoco debe usarse para abrir latas que no tengan bordes resaltados o que tengan bordes angulares.

Las tapas de aluminio no adherirán al sujetatapas magnético.

Si el borde de la lata presenta una abolladura, abra la lata por el fondo o posicione la lata de tal manera que la cuchilla no tenga que cortar la lata en este sitio. Si el abrelatas se atrancara, gire la lata ligeramente con la mano.

Garantía Limitada

En este documento, Conair LLC/Cuisinart (“Cuisinart”) garantiza que este Producto Cuisinart® estará libre de defectos de materiales y fabricación en condiciones normales de uso doméstico durante un período de TRES (3) años a partir de la fecha de compra del Producto en su embalaje original sellado, a menos que se especifique lo contrario en esta Garantía Limitada. Esta Garantía Limitada es solo para consumidores de Estados Unidos (definidos aquí como compradores al por menor para uso personal, familiar o doméstico) que compren originalmente el Producto a Cuisinart o a un revendedor autorizado de Cuisinart. Si no está seguro de si un minorista u otro punto de venta es un revendedor autorizado de Cuisinart, póngase en contacto con Cuisinart.

Esta Garantía Limitada NO cubre:

- El desgaste normal;
- Cualquier Producto adquirido por compradores comerciales o para usos comerciales o no domésticos;
- Accesorios, piezas o programas añadidos al Producto después de que Cuisinart lo haya enviado;
- Cualquier costo asociado con el reemplazo o reparación del Producto, incluyendo mano de obra, instalación u otros costos incurridos por usted sin previa aprobación de Cuisinart;
- Daños, defectos y fallas debidos a: (1) causas externas, incluyendo el envío, accidentes, problemas con el suministro eléctrico (el Producto está diseñado para su uso exclusivo con enchufes de 120 V), condiciones anormales (como mecánicas o medioambientales); (2) uso no conforme a las instrucciones del Producto; (3) uso indebido, negligencia, alteración no autorizada, reparación no autorizada; y (4) casos fortuitos u otros acontecimientos fuera del control de Cuisinart;
- Aunque cualquier empresa puede realizar las reparaciones y el mantenimiento necesarios, los daños causados por usted o por terceros no autorizados pueden anular esta Garantía Limitada;
- Los daños causados por accesorios o repuestos no autorizados específicamente por Cuisinart pueden anular esta Garantía Limitada; y
- Cualquier Producto cuyas marcas de identificación originales (marca comercial o número de serie) hayan sido retiradas, alteradas o borradas del Producto.

Se recomienda llenar el formulario de registro disponible en <https://cuisinart.registria.com> a fin de facilitar la verificación de la fecha de compra original de este producto. Sin embargo, no es necesario registrar el producto para recibir servicio bajo esta garantía. En ausencia de prueba de la fecha de compra, el período de garantía será calculado a partir de la fecha de fabricación del producto.

Garantía de sin dificultades

Si el Producto objeto de esta Garantía Limitada falla durante el período de garantía por razones cubiertas por esta Garantía

Limitada, Cuisinart, a su elección, reparará el Producto, sustituirá el Producto por otro idéntico o razonablemente equivalente, o si Conair no puede reparar o sustituir el Producto, reembolsará al consumidor el precio de compra, menos la cantidad directamente atribuible al uso anterior del Producto por parte del consumidor. Para obtener una etiqueta de devolución, contáctenos, visitando <https://www.cuisinart.com/customer-care/product-assistance/product-inquiry//> o llamando a nuestro servicio de atención al cliente, al 1-800-726-0190, para hablar con un representante.

Tras la recepción del Producto, Conair inspeccionará el Producto y, si lo requiere esta Garantía Limitada, intentará reparar, reemplazar o reembolsar el Producto en un plazo de treinta (30) días. No obstante, pueden producirse retrasos fuera del control de Cuisinart, en cuyo caso dicho plazo podrá ampliarse en la medida en que sea razonablemente necesario.

IMPORTANTE: Si debe llevar el producto defectuoso a un centro de servicio no autorizado, por favor informe al personal del centro de servicio que deben llamar al servicio de atención al cliente Cuisinart, al 1-800-726-0190, a fin de diagnosticar el problema correctamente, usar las piezas correctas para repararlo y comprobar que el producto aún esté bajo garantía.

Residentes de California

El período de Garantía Limitada de TRES (3) años comienza en la fecha de entrega del Producto, que puede ser diferente de la fecha de compra del Producto. Los residentes en California también tienen la opción de obtener los beneficios de esta Garantía Limitada devolviendo el producto defectuoso (A) a la tienda donde lo compraron, o (B) a otra tienda que venda productos Cuisinart® del mismo tipo. La tienda podrá, a su elección, reparar el producto, referir al consumidor a un centro de servicio independiente, sustituir el producto por uno idéntico o razonablemente equivalente, o reembolsar al consumidor el precio de compra menos la cantidad directamente atribuible al uso anterior del producto por el consumidor. Los residentes de California también pueden, si lo desean, enviar el producto defectuoso directamente a Cuisinart para que sea reparado o sustituido por uno idéntico o razonablemente equivalente. Para esto, deben llamar a nuestro servicio de atención al cliente al 1-800-726-0190. Cuisinart será responsable por los gastos de reparación, reemplazo, manejo y envío de los productos defectuosos durante el período de garantía.

ESTA GARANTÍA LIMITADA LE OTORGA DERECHOS LEGALES ESPECÍFICOS, Y TAMBIÉN PUEDE TENER OTROS DERECHOS QUE VARIAN DE UN ESTADO A OTRO O EN FUNCIÓN DE LA JURISDICCIÓN. EN CASO DE INCUMPLIMIENTO DE ESTA GARANTÍA LIMITADA, USTED PUEDE RECLAMAR LA SUSTITUCIÓN, UNA INDEMNIZACIÓN POR DAÑOS Y PERJUICIOS U OTRAS SANCIONES.

LIMITACIONES DE RESPONSABILIDAD/LIMITACIONES Y EXCLUSIONES ADICIONALES

TODAS LAS GARANTÍAS EXPRESAS E IMPLÍCITAS TIENEN UNA DURACIÓN LIMITADA AL PERÍODO DE GARANTÍA LIMITADA. NO SE APLICARÁ NINGUNA GARANTÍA DESPUÉS DE ESTE PERÍODO. ALGUNOS ESTADOS NO PERMITEN LIMITACIONES EN LA DURACIÓN DE UNA GARANTÍA IMPLÍCITA, DE MODO QUE LAS LIMITACIONES

MENCIONADAS PUEDEN NO REGIR PARA USTED. LA RESPONSABILIDAD DE CUISINART BAJO ESTA O CUALQUIER OTRA GARANTÍA, IMPLÍCITA O EXPRESA, SE LIMITA A LA REPARACIÓN, SUSTITUCIÓN O REEMBOLSO, SEGÚN LO ESTABLECIDO ANTERIORMENTE. ESTOS RECURSOS SON LOS ÚNICOS Y EXCLUSIVOS EN CASO DE INCUMPLIMIENTO DE LA GARANTÍA. EN LA MEDIDA MÁXIMA PERMITIDA POR LA LEY, CUISINART NO SE HACE RESPONSABLE DE NINGÚN DAÑO DIRECTO, INDIRECTO, ESPECIAL, INCIDENTAL O CONSECUENTE RESULTANTE DE CUALQUIER INCUMPLIMIENTO DE LA GARANTÍA O BAJO CUALQUIER OTRA TEORÍA LEGAL (INCLUYENDO, PERO NO LIMITADO A, LUCRO CESANTE, TIEMPO DE INACTIVIDAD, PÉRDIDA DEL FONDO DE COMERCIO, DAÑOS O SUSTITUCIÓN DE EQUIPOS Y BIENES, Y CUALQUIER COSTE DE RECUPERACIÓN, REPROGRAMACIÓN O REPRODUCCIÓN DE CUALQUIER PROGRAMA O DATOS ALMACENADOS EN O UTILIZADOS CON UN SISTEMA QUE CONTENGA EL PRODUCTO), INCLUSO SI CONAIR HA SIDO ADVERTIDO DE LA POSIBILIDAD DE TALES DAÑOS. ALGUNOS ESTADOS NO PERMITEN LA EXCLUSIÓN O LIMITACIÓN DE DAÑOS ESPECIALES, INCIDENTALES O CONSECUENTES, DE MODO QUE LAS LIMITACIONES MENCIONADAS PUEDEN NO REGIR PARA USTED. TODAS LAS GARANTÍAS EXPRESAS E IMPLÍCITAS TIENEN UNA DURACIÓN LIMITADA AL PERÍODO DE GARANTÍA LIMITADA. NO SE APLICARÁ NINGUNA GARANTÍA DESPUÉS DE ESTE PERÍODO. ALGUNOS ESTADOS (O JURISDICCIONES) NO PERMITEN LIMITACIONES EN LA DURACIÓN DE UNA GARANTÍA IMPLÍCITA, DE MODO QUE LAS LIMITACIONES MENCIONADAS PUEDEN NO REGIR PARA USTED.

Esta Garantía Limitada es emitida por:

Conair LLC
1 Cummings Point Road
Stamford, CT 06902
1-800-726-0190

©2024 Cuisinart
Glendale, AZ 85307
Printed in China
24CE93713

IB-14337-ESP-E