

IMPORTANT SAFEGUARDS

READ AND FOLLOW ALL SAFETY INSTRUCTIONS

When using electrical equipment, basic safety precautions should always be followed including the following:

This equipment is designed for use with germicidal UV radiation sources and must be installed in compliance with competent technical directions to prevent risk of personal injury from UV radiation.

UV radiation can pose a risk of personal injury. Overexposure can result in damage to eyes and bare skin. To reduce the risk of overexposure this equipment must be installed in accordance with the manufacturer's site planning recommendations. This may include instructions on the relative location of each germicidal system component, the minimum distances between UV-generating devices and other objects or surfaces, and protection from line-of-sight exposure to UV radiation in occupied spaces located above the equipment mounting area (e.g. upper floor balconies, open staircases, etc.)

UV and optical radiation can be reflected by surrounding surfaces such as ceilings and walls. Since the reflective properties of surfaces can vary widely, it should be considered as part of site planning. Follow the manufacturer's recommendations for selecting appropriate ceiling and wall finishes.

IT IS THE RESPONSIBILITY OF THE INSTALLER TO ENSURE THAT PERSONS WILL NOT BE EXPOSED TO EXCESSIVE UV OR OPTICAL RADIATION DURING EQUIPMENT OPERATION. THIS WILL REQUIRE THE INSTALLER TO CONDUCT AN ASSESSMENT OF IRRADIANCE OR ILLUMINANCE LEVELS IN THE SURROUNDING OCCUPIED SPACES PRIOR TO OCCUPANCY.

Equipment should be mounted in locations and at heights where it will not readily be subjected to tampering by unauthorized personnel.

Maintenance and servicing of this UV generating equipment shall be performed by authorized personnel. Service personnel must wear appropriate Personal Protective Equipment (PPE) if the equipment will be in operation during the maintenance or servicing work. Contact the equipment manufacturer for PPE recommendations and guidance.

The use of accessory equipment not recommended by the manufacturer may cause an unsafe condition.

Do not use this equipment for other than intended use.

Device using Current's 365DisInFx™ technology are not intended to be used as medical devices and are not registered as such under any applicable laws. They provide an added layer of protection along with masks, hygiene, and social distancing.

SAVE THESE INSTRUCTIONS

365DisInFx™ LPU Series-UVC (120-277V)



BEFORE YOU BEGIN

Read these instructions completely and carefully.



Save These Instruction

Use only in the manner intended by the manufacturer.

If you have any questions, contact the manufacturer.

Installation and servicing should be performed by qualified personnel.

⚠ WARNING

RISK OF ELECTRICAL SHOCK

- Turn power off before inspection, installation or removal.
- Properly ground electrical enclosure.

⚠ WARNING

RISK OF FIRE

- Follow all NEC and local codes.
- Use only UL approved wire for input/output connections. Minimum size 18 AWG (0.75mm2).

⚠ CAUTION

- Turn power off prior to installation; risk of UV exposure.
- Wear appropriate Personal Protective Equipment (PPE).
- This product contains components that may be susceptible to Electrostatic Discharge (ESD) under certain conditions. As a precaution avoid touching the LEDs that are exposed through the plastic cover.

⚠ CAUTION

- DO NOT OPERATE WITHOUT REFLECTOR/OPTIC FULLY INSERTED.
- UV radiation can pose a risk of personal injury. Overexposure can result in damage to eyes and bare skin. To reduce the risk of overexposure this equipment must be installed in accordance with the manufacturer's site planning recommendations. This may include instructions on the relative location of each germicidal system component, the minimum distances between UV-generating devices and other objects or surfaces, and protection from line-of-sight exposure to UV radiation in occupied spaces located above the equipment mounting area (e.g. upper floor balconies, open staircases, etc.)

NOTICE

A UVC device has a potential to emit ozone. Prior to install and operation, consideration should be made to verify safe ozone concentrations for the installation, taking into account the number of products in the given volume space, the characteristics of the ventilation system, access, and other relevant factors.

365DisInFx™ LPU devices meet California ozone emissions limit: CARB certified.

Tools and Components Required:

- Slot or Phillips head screwdriver
- UL Listed conduit connections per NEC/CEC for nominal conduit trade sizes 1/2" or 3/4"
- UL Listed wire connectors
- Wire cutters
- Appropriate Personal Protective Equipment (PPE)

Components Supplied:

- (1) LPU Device UVC LED module
- (1) BZ50 Power Pack
- (1) Mounting Plate
- (1) Plenum Rated Cables
- (2) #8-32 x 3/4in Screws
- Tamper resistant screws not provided

Prepare Electrical Wiring

Electrical Requirements

- The LPU device must be connected to the mains supply according to its ratings on the product label.



Grounding Instructions

- The grounding and bonding of the overall system shall be done in accordance with National Electric Code (NEC) and local codes.



For Technical Support, Please Contact:

- By phone: **1-888-694-3533**
- By Email: **lightingproinfo@gecurrent.com**

IMPORTANT NOTES — PLEASE READ Before Installing

Minimum Ceiling Height:

- LPU20-XX-QQ-YY-ZZ-WHTE-AA, where ZZ defines the minimum ceiling height for installation.
- This product can only be installed as part of an indoor ceiling.

Diagram:

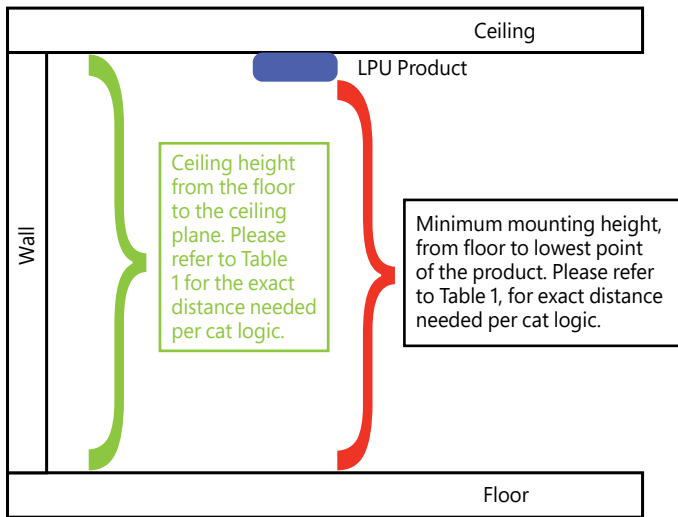


Table 1 "ZZ" Catlogic	Minimum Installation Height Mounting Height	Ceiling Height
76	7'4"	7'6"
78	7'6"	7'8"
80	7'10"	8'0"

⚠ CAUTION/ATTENTION

RISK OF PERSONAL INJURIES FROM UV RADIATION & RISK OF REDUCED PATHOGEN INACTIVATION

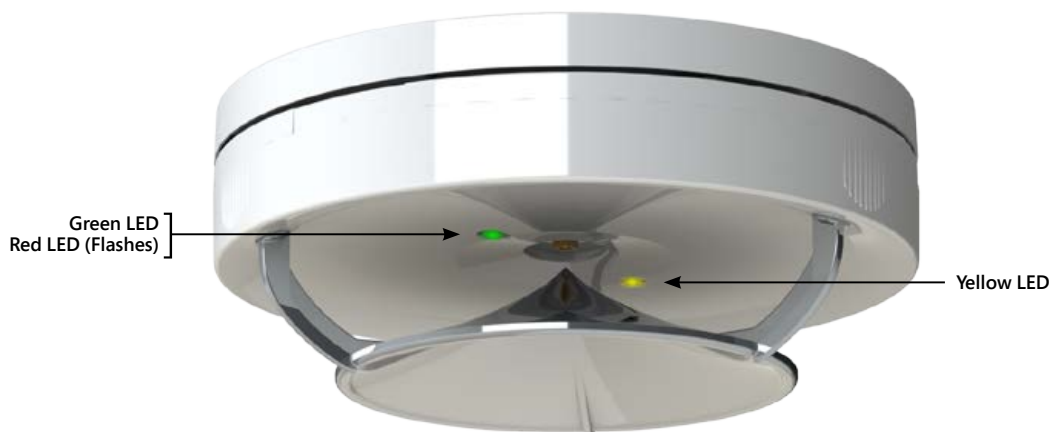
- Risk of UV radiation overexposure if installed lower than minimum height and risk of reduced effectiveness if installed above intended height range.
- Install according to Current's site planning recommendations.

NOTICE

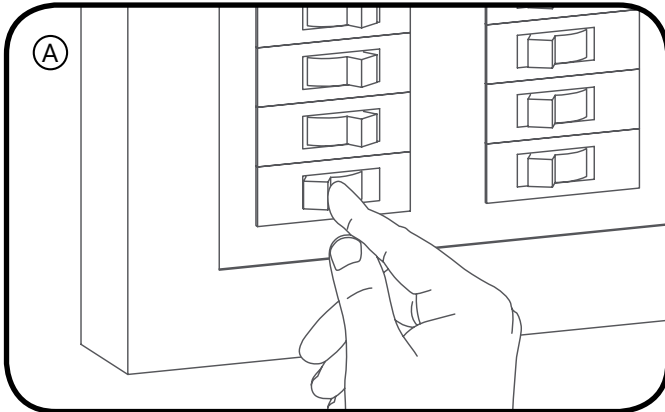
- Product must be inspected once a month to verify normal operation and confirm the device is properly secured to the ceiling per these install instructions.
- Ensure power to LPU device is shut off prior to performing any maintenance near or around the ceiling where the LPU device is installed.
- For cleaning maintenance, please use dry paper towel or Air spray (no oil or chemical base) or a fabric duster to wipe down any dust that might be gathered on the LPU device. Please do not touch the center LED. For further guidelines please consult guidelines from NEMA GD 4-2020

GENERAL VISUAL AND AUDIBLE INDICATOR OPERATION

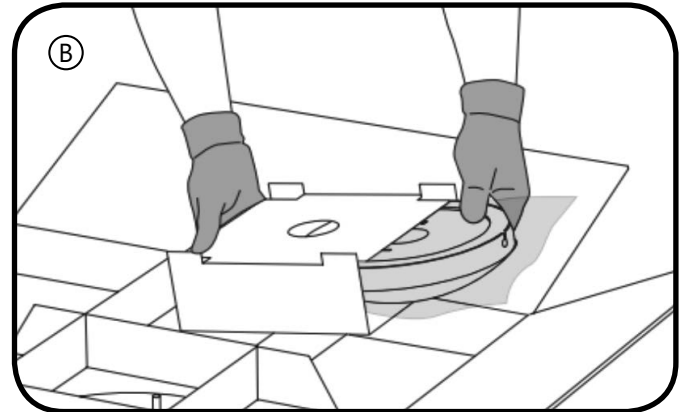
LED Indicator	Green	Yellow	Red
Status	On = Power On	On = UV On	Flashing and audible alarm = Fault
Action	Normal Operation	Normal Operation	Perform a Power Cycle, if Fault continues replace unit



① Installation



For safety, turn off main power prior to installation.



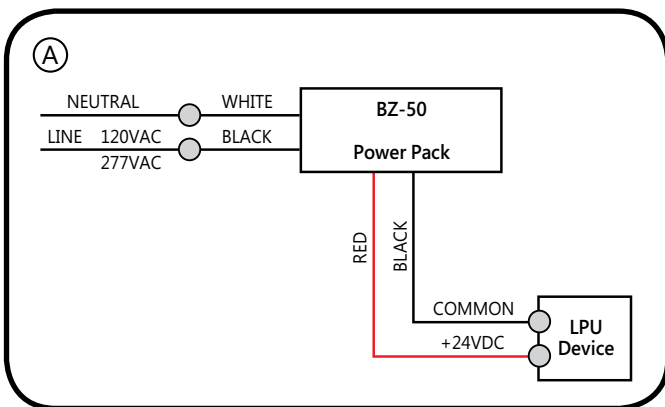
Carefully unpack unit from its packaging. Properly inspect for defects before installing. Wear work gloves to prevent dirt and oil from being transferred to the unit.

CAUTION: DO NOT GRIP REFLECTOR/OPTIC DURING INSTALL OR MAINTENANCE.

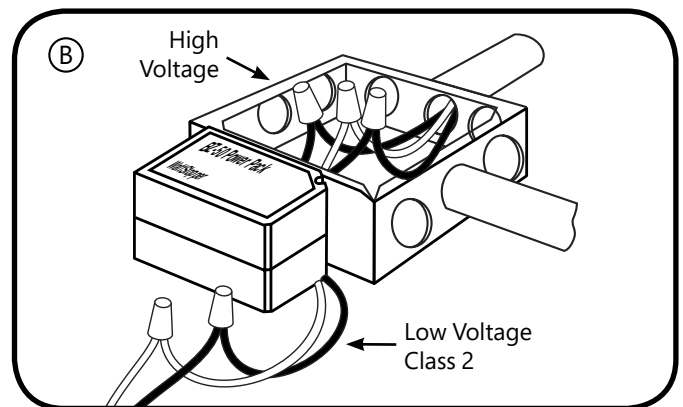
② Electrical Connections

⚠ WARNING/AVERTISSEMENT

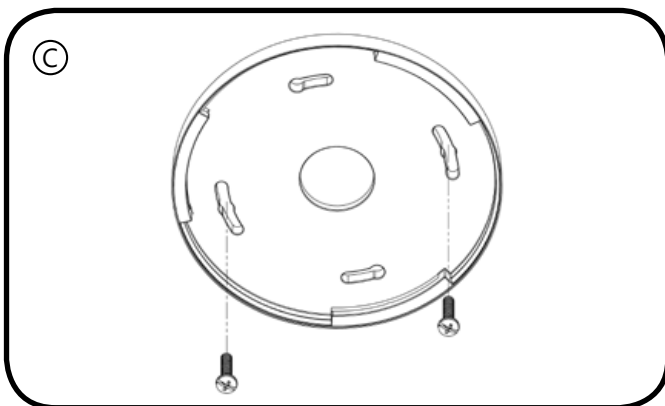
RISK OF ELECTRICAL SHOCK: Disconnect power before servicing or installing product.



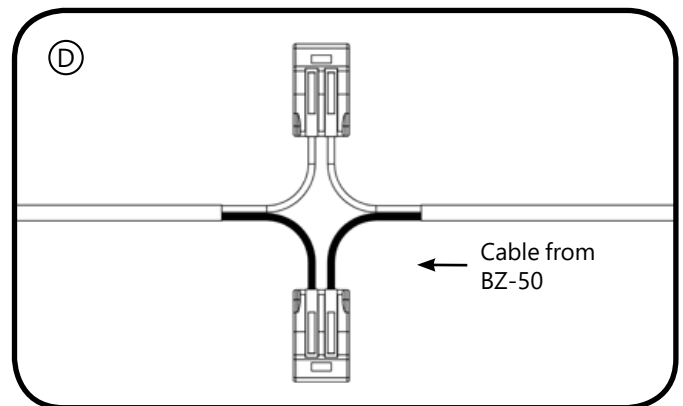
Notes: The LED Module must be used with BZ50, as Provided.



Install the BZ50 to a junction box and make the appropriate AC connection. (Junction box and connectors not provided. Please ensure UL listed connectors are being used.)

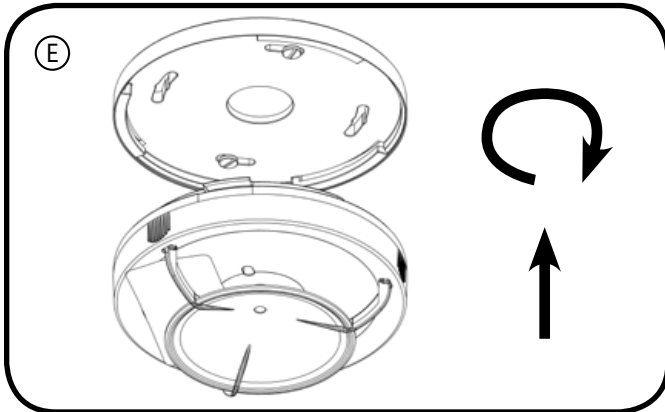


Install the mounting plate. If installing to a junction box, ensure that no AC / Class 1 circuitry is present. (Junction box not provided.)

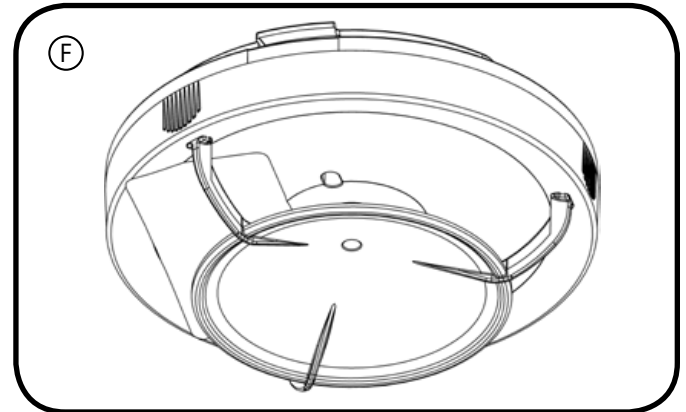


Connect the Plenum Rated Cable provided to the Power pack's low voltage wires and the LPU LED module.

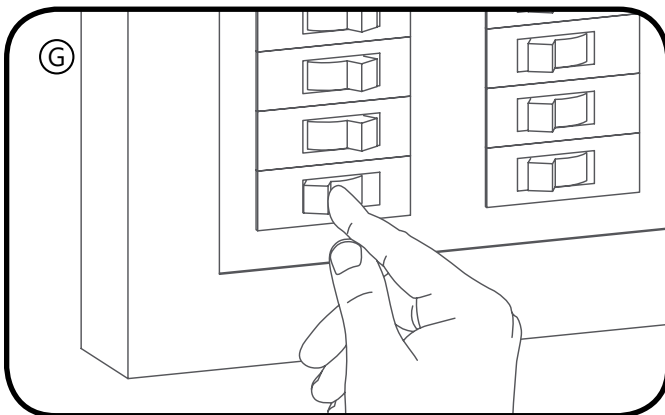
② Electrical Connections



Insert the LED module into the mounting plate, twist LED module clockwise until a 'click' sound is made, locking the LED module in place. Not applicable to T-Grid installation and the tamper-resistant mount.

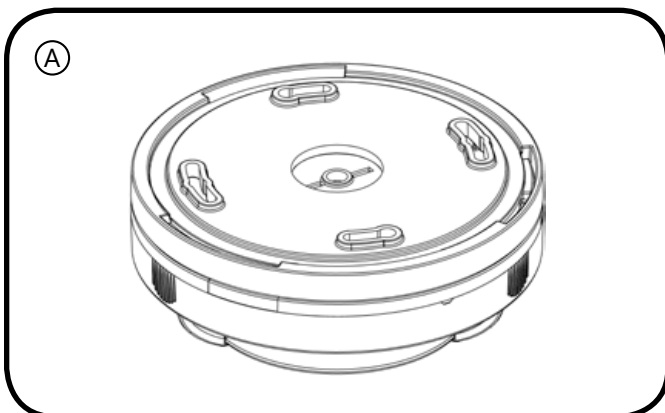


Upon completing the installation of LPU module in ceiling, please remove label located across LEDs.

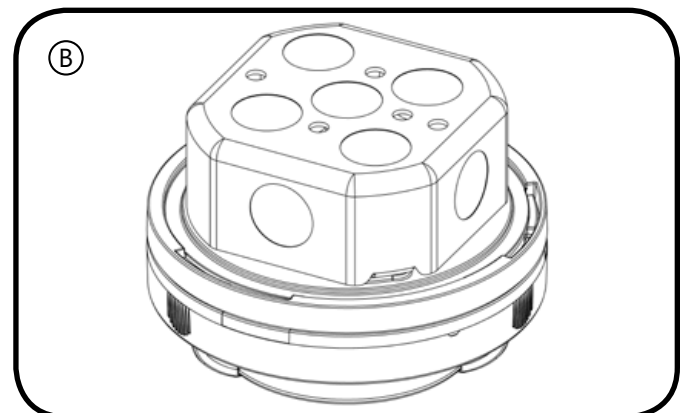


Turn on the breaker and ensure the Green and Yellow LED are on. Only turn on unit once all personnel are located in the occupied space. Occupied space is defined as the area in a room within 7ft of the floor.

③ Mounting Options

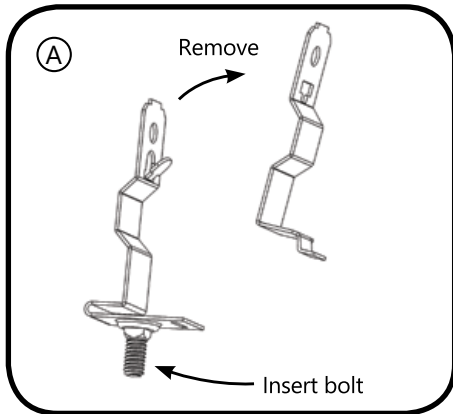


Direct install on Drywall.

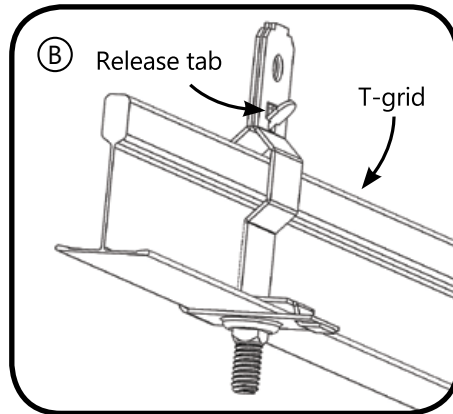


Direct install on Junction box. **Note:** junction box not provided.

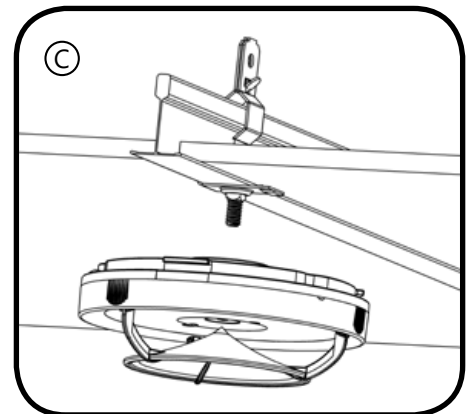
3c T-Grid Install



Break T-grid mounting clip into two pieces. Insert ¼-20 carriage bolt into lower half.

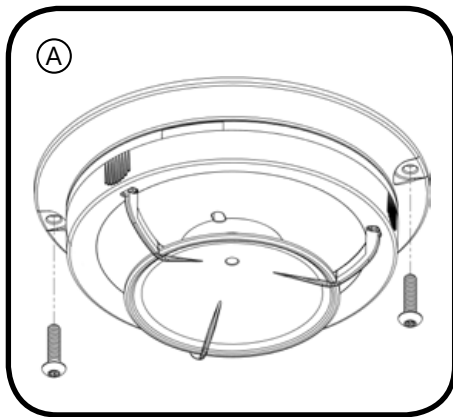


Insert lower half onto T-grid. Insert tab of upper half into slot of lower half and click release tab into place.



Screw on the UVC LED module. The mounting plate used for Drywall or Junction Box installation is not required and provided. Complete install by following step D, F & G under Electrical connections. (Step E not required.)

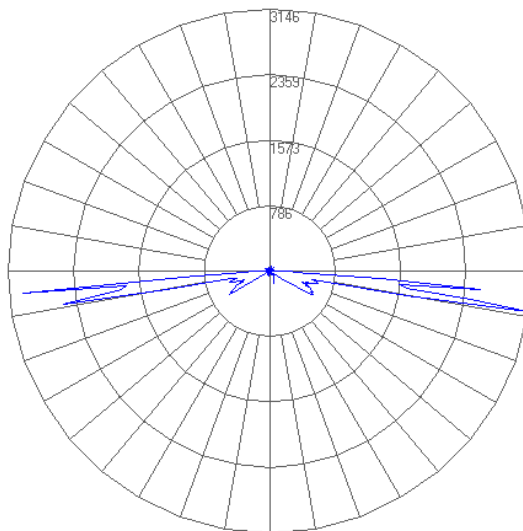
3d Tamper-Resistant Install



Tamper resistant option comes completely assembled. Mount securely to ceiling via screw holes in mounting plate.

Note: Screws Not Provided.

UVC Light Output (µW/sr)



4 Make An Informed Decision

1. UV radiation can pose a risk of personal injury. Overexposure can result in damage to eyes and bare skin. To reduce risk of overexposure, equipment must be installed in accordance with manufacturer’s site planning and application recommendations, including minimum ceiling height restrictions.
2. UV solutions are intended for common high traffic spaces and not recommended for dwellings or home use.
3. Installation of the devices should be performed by qualified professionals as detailed in Current’s installation guide.
4. To allow for occupancy during use, Current products comply with UL 8802 Outline of Investigation for UV Germicidal Equipment and Systems, IEC 62471 Photobiological Safety of Lamps and Lamp Systems standards, and American Conference of Governmental Industrial Hygienists (ACGIH®) TLVs® guidelines over an 8-hour period when installed as directed.
5. Current’s UV products are meant to be used in conjunction with other protective measures like manual cleaning and the use of proper PPE. They are not a substitute for other measures.
6. Current products are not intended for use as a medical device.
7. If combining two or more UV solutions, whether from GE Current, a Daintree company and/or other manufacturers, please consult a trained product application representative to ensure the total irradiance (UV dose) does not exceed recommended human exposure limits. To the extent UV solutions are combined, it may impact inactivation rates.

FCC Statements:

This device complies with Part 15 of the FCC Rules. Operation is subject to the following two conditions: (1) This device may not cause harmful interference, and (2) this device must accept any interference received, including interference that may cause undesired operation. CAN ICES-005 (A) / NMB-005 (A)

Note: This equipment has been tested and found to comply with the limits for a Class A digital device, pursuant to part 15 of the FCC Rules. These limits are designed to provide reasonable protection against harmful interference when the equipment is operated in a commercial environment. This equipment generates, uses, and can radiate radio frequency energy and, if not installed and used in accordance with the instruction manual, may cause harmful interference to radio communications. Operation of this equipment in a residential area is likely to cause harmful interference in which case the user will be required to correct the interference at their own expense.

Questions:

Web: products.gecurrent.com | **Phone:** 1-888-694-3533

All product and company names are trademarks™ or registered® trademarks of their respective holders. Use of them does not imply any affiliation with or endorsement by them. All specifications are subject to change without notice.

These instructions do not purport to cover all details or variations in equipment nor to provide for every possible contingency to be met in connection with installation, operation or maintenance. Should further information be desired or should particular problems arise which are not covered sufficiently for the purchaser's purposes, the matter should be referred to GE Current, a Daintree company. Ces instructions ne prétendent pas couvrir tous les détails ou variantes de l'équipement ni couvrir toutes les conditions possibles à satisfaire en rapport avec l'installation, l'opération ou l'entretien. Si des informations supplémentaires sont souhaitées sur des aspects qui ne sont pas suffisamment couverts pour satisfaire les besoins du client, ou si des problèmes particuliers se présentent, veuillez adresser ces questions à GE Current, une entreprise Daintree.