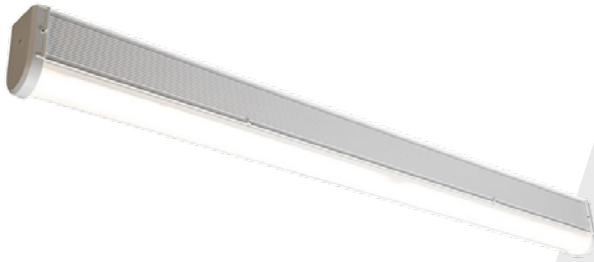


ALC6 Series

LED Linear Industrial Low Bay

The **Albeo® ALC6** Series is an efficient alternative to less decorative linear fixtures for a variety of commercial and industrial lighting uses. The sleek, extruded design is also attractive for retail and commercial settings as well. ALC6 can be matched with Daintree® controls. Designed to meet recommended luminance and illuminance requirements for low bay and task level lighting applications, a wide diffuser option is available for parking garage & general lighting applications as well.



Construction

Housing:	Aluminum extruded body
Lens:	Polycarbonate diffused, acrylic clear
Paint:	Powder coat post painted <i>No glass in housing or lenses</i>
Weight:	4 ft. - 11lbs max; 8 ft. - 19lbs max

Optical System

Lumens:	2000–20000
Distribution:	120° Diffused Lens & 160° Wide Clear Lens
Efficacy:	Up to 160 LPW
CCT:	3000K, 3500K, 4000K, 5000K
CRI:	80 CRI Standard (90CRI Contact factory for lead-times)

Electrical

Input Voltage:	120–277 V, 347 V, & 480 V
Input Frequency:	50/60Hz
Power Factor (PF)*:	>90%*
Total Harmonic Distortion (THD)*:	<20%*
EMI:	FCC CFR Title 47 Part 15, Class A
LED Driver Type:	Class 2, 3kV surge protection

* PF and THD may vary with options

Controls

Sensors: High-end trim, occupancy and ambient light detection with dimming available. Wireless Daintree® options available.

Ambient Temperature

TYPE	TEMPERATURE RATE
OPERATING TEMPERATURE	–30°C to +50°C (–22°F to 122° F)
STORAGE TEMPERATURE	–40°C to +70°C (–40°F to 158° F)

Lumen Maintenance

LXX(10K) @ Hours	100,000 HR
L70	
TM-21 Calculation at 25°C: L90 @ 100,000 hrs	

Mounting

- **Typical Mounting:** Standard Chain/Cable or Surface mount ready
- **Standard: knockout access (no cord, no plug)**
 - 6 ft. 18-3 – Cord A
 - 12 ft. 18-3 – Cord B
 - 15A, 20A, Straight or twist lock plug – Plug A, B, C, or D

Design Life & Warranty

- **Reliability Testing:** Components and/or systems evaluation at extreme conditions and monitored during production.
- Please refer to the DLC QPL website for the latest and most complete information: <http://www.designlights.org/QPL>
- UL 1598 Suitable for Damp Locations
- RoHS compliant
- **Current's Limited 5-year Warranty:**
Please refer to document [ALB048](#) for more information.

ALC6 Series

LED Linear Industrial Low Bay

CUSTOMER NAME

Project Name _____

Date _____ Type _____

Catalog Number _____

Ordering Information

ALC6

T

W

PRODUCT ID	VOLTAGE	FIXTURE LENGTH	LUMEN OUTPUT	PERFORMANCE LEVEL	LED COLOR TEMP	OPTICS BEAM	FIXTURE TYPE	SENSOR/WIRELESS	CONTROL WIRING	EMERGENCY	MOUNTING	CORD	PLUG	FINISH	OPTIONS		
ALC6 = Albeo Linear ALC Series 6th Gen	0 = 120-277	4T = 4 ft	02 = 2,000	T = Standard Efficiency	80 Plus CRI	Diffused Lens = Maximum Glare Reduction	S' = Stand Alone C' = Continuous Runs Note = For Continuous Runs, Starter Kit 93094637 must be ordered for each run.	Q = None A = Occ Sense On/Off 360° LSXR B = Occ Sense High-Low Dimming 360° LSXR P = Daylight Sense W/ Occupancy On/Off LSXR W = Bi-Level Dimming/ Stairwell Setting Sensor Full Featured 1 = 20' Motion Sensor FSP221 W/Daylight & High/Low Dimming 2 = 40' Motion Sensor FSP221 W/Daylight & High/Low Dimming (Requires remote to modify default settings sold separately)	Q = No 0-10V dimming E = Battery Backup V = External 0-10V Control Wires Note = V option not available with dimming & ZigBee sensors	Q = None E = Battery Backup Note = Battery Backup not available at 347/480V	ST = Standard 51 = Cable/Tongle 5ft. 52 = Cable/Tongle 10ft. 53 = Cable/Tongle 15ft.	K = Knockout A = 6ft. 18ga cord B = 12ft. 18ga cord	Q = None A = 15A Straight Plug B = 20A Straight Plug C = 15A Twistlock Plug D = 20A Twistlock Plug	W = White Powder Coat	Blank = No Special Options 1PK = Single Pack (For distributor stocking. Default is job pack not 1PK).		
	1 = 120*		03 = 3,000		38 = 3000K											1D = 120° Diffused Lens WC = Wide Clear 160° Parking Garage Optic	90 Plus CRI 39 = 3000K C9 = 3500K 49 = 4000K 59 = 5000K
	4 = 277*		04 = 4,000		48 = 4000K												
	D = 347*		05 = 5,000		58 = 5000K												
	5 = 480*		06 = 6,000		90 Plus CRI												
			08 = 8,000		39 = 3000K												
			10 = 10,000		C9 = 3500K												
			12 = 12,000		49 = 4000K												
			16 = 16,000		59 = 5000K												
			20 = 20,000														
			8T = 8 ft	04 = 4,000													
				06 = 6,000													
			08 = 8,000														
			10 = 10,000														
			12 = 12,000														
			16 = 16,000														
			20 = 20,000														

80 CRI @ 5000K CCT					
FIXTURE LENGTH	OUTPUT LUMENS	TYPICAL DELIVERED LUMENS	TYPICAL POWER		TYPICAL LPW 120-277V
			120-277V	347/480V	
4 ft	2,000	2,000	14	16	143
4 ft	3,000	3,000	20	22	150
4 ft	4,000	4,000	27	29	148
4 ft	5,000	4,900	34	36	144
4 ft	6,000	5,900	42	44	140
4 ft	8,000	7,800	59	67	132
4 ft	10,000	9,600	80	87	120
8 ft	4,000	4,000	25	28	160
8 ft	6,000	6,000	38	41	158
8 ft	8,000	7,900	52	60	152
8 ft	10,000	9,900	67	75	148
8 ft	12,000	11,800	83	91	142
8 ft	16,000	15,600	118	129	132
8 ft	20,000	19,200	159	173	121

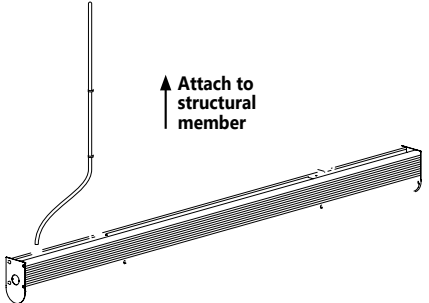
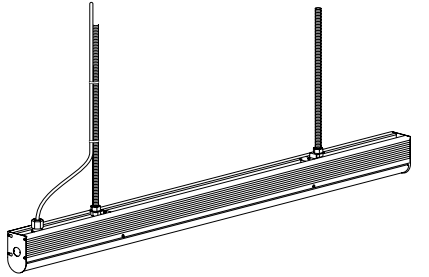
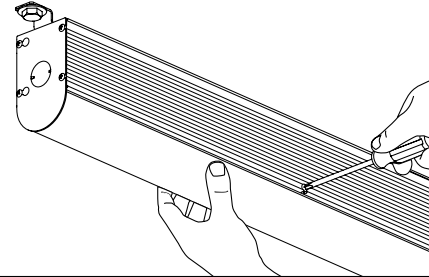

ORDERING NOTES:

- DF, FB, and NA only available for Stand Alone fixture type. For Continuous Row fixture type, QQ or QV sensor and control wiring is available, or TQ wireless sensor

CRI	CCT	T OUTPUT
80 CRI	5000K	100%
	4000K	98%
	3500K	97%
	3000K	93%
90 CRI	5000K	89%
	4000K	85%
	3000K	81%

ACCESSORIES, OPTIONS & PACKAGING	
Emergency Battery:	Integral EM battery option provides 90-minutes of emergency lighting. Design lumen output: 2000lm at 5000K 80CRI.
Packaging:	Standard packaging is job pack/bulk pack consisting of 1 to 4 fixtures per package reducing un-pack time at the job site. Single Pack (for stocking)—Option 1PK
Wire guards:	White painted wire guard for added protection. Easy field installation. SKU# 93095697 <i>Two kits needed for 8ft fixtures</i>
Continuous Run:	One starter kit needed per run. SKU# 93094637. Each kit includes endcaps, starter whip, and male/female orientation adapter.

Mounting and Accessory Options

MOUNTING OPTIONS	IMAGE	ORDER LOGIC CODE
<p>Standard Chain/Cable Mount Available on all fixture configurations (chain not included). Cable w/ hook can be ordered as an accessory.</p>		<p>ST = Standard</p>
<p>Rod Mount (Optional) Available with all fixture configurations. Standard mounting option is rod mount ready. Attaches to 1/2" threaded rod (rod and nuts not included)</p>		<p>ST = Standard</p>
<p>Surface Mount (Optional) Available on all fixture configurations. Standard mounting option is surface mount ready.</p>		<p>ST = Standard</p>
<p>Cable with Toggle (Optional) Order separately. 5 ft., 10 ft., 15 ft., lengths available.</p>		<p>51 = Cable/Toggle 5 ft. - Pair 52 = Cable/Toggle 10 ft. - Pair 53 = Cable/Toggle 15 ft. - Pair Max Load 200 lbs. Per Pair</p>

CUSTOMER NAME

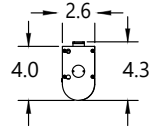
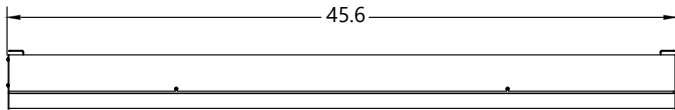
Project Name _____

Date _____ Type _____

Catalog Number _____

Product Dimensions

4 Ft.



8 Ft.

