

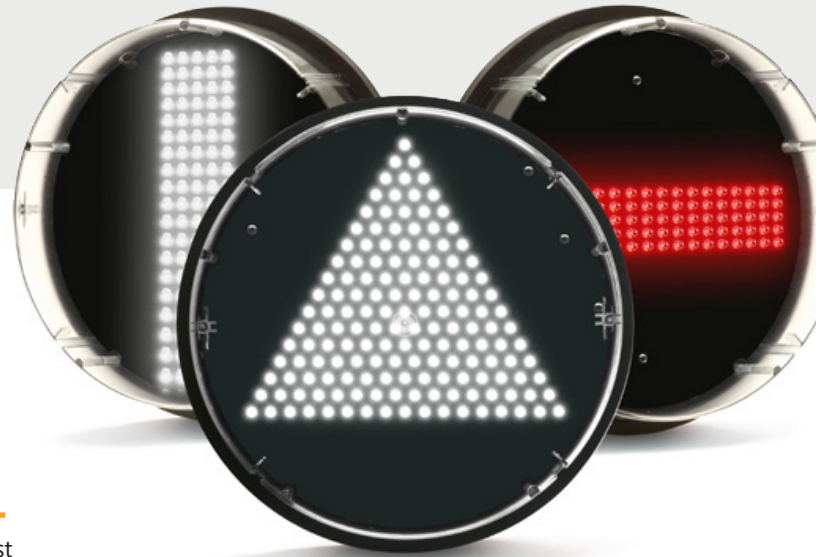
# TR6 LED Transit Symbol Signal Modules

12 inch (300 mm)

Project Name \_\_\_\_\_

Date \_\_\_\_\_ Type \_\_\_\_\_

Notes \_\_\_\_\_



## OUTSTANDING RELIABILITY

- Self-contained design provides protection against moisture and dust
- Robust LED system design enables high luminous intensity over long product life

## EXCELLENT APPEARANCE & VISIBILITY

- Uniform illumination
- Photocell-activated dimming for night time viewing
- Bars may be installed horizontally or vertically, reducing products required

## MEETS RIGOROUS TESTING STANDARDS

- All lamps undergo comprehensive testing in the manufacturing plant

**New or retrofit use**  
**Night time dimming**

# TR6 LED Transit Symbol Signal Modules

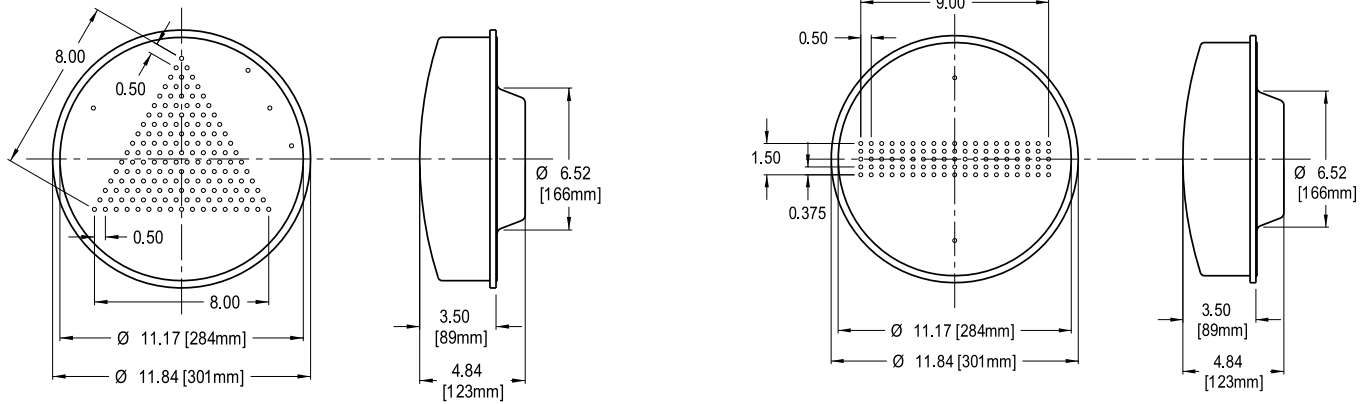
12 inch (300 mm)

Project Name \_\_\_\_\_

Date \_\_\_\_\_ Type \_\_\_\_\_

Notes \_\_\_\_\_

## Mechanical Outline Dimensions in inches (mm)



## Operating Specifications

Parameter	Rating
Operating Temperature Range	-40 to 70°C (-40 to 158°F)
Operating Voltage	85 to 135 V AC
Voltage Turn-Off (VTO)	45 V AC
Dimming Level LED current	50%
Total Harmonic Distortion (THD)	< 20%t



## Product Information

Model Number	Figure	Description	Nominal Current (mA)	Nominal Power (W)	Minimum on-Axis Intensity <sup>1</sup> (cd)
<b>Mid-Range and Outdoor Applications</b>					
TR6-WC5H-01A-51	A	120V White bar with dimming	44	5.2	400
TR6-RC5H-01A-51	B	120V Red bar with dimming	52	6.3	225
TR6-WCTS-01A-51	C	120V White triangle with dimming	76	9	550

### Options:

<sup>1</sup> Measured out of factory at 25°C and stabilized at 100% duty cycle for 1 hour.

Distributed by: