

# Cuisinart Outdoors™

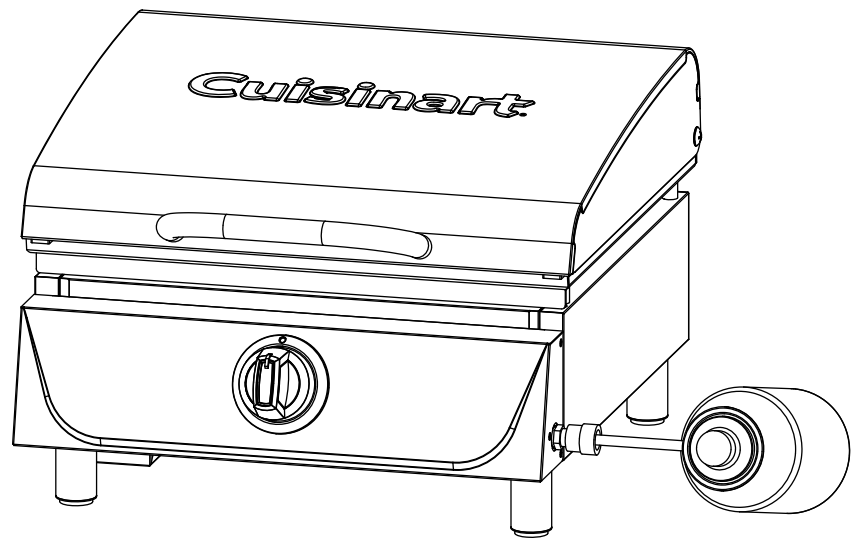
17" Tabletop Gas Griddle  
MODEL NO: CGG-9236

## ⚠ WARNING

- For Outdoor Use Only (outside any enclosure).
- This instruction manual contains important information necessary for proper assembly and safe use of this appliance.
- Read and follow all warnings and instructions before assembling and using the appliance.
- Follow all warnings and instructions when using the appliance.
- Keep this manual for future reference.

## ⚠ DANGER

- If you smell gas:
  1. Shut off gas supply to the appliance.
  2. Extinguish any open flames.
  3. Open the lid.
  4. If the odor continues, keep away from the appliance and immediately call your fire department.Failure to follow these instructions could result in fire or explosion which could cause property damage, personal injury, or death.
- Never operate this appliance unattended.
- Do not store or use gasoline or other flammable liquids or vapors in the vicinity of this or any other appliance.
- An LP cylinder not connected for use shall not be stored in the vicinity of this or any other appliance.
- Check for leaks every time prior to lighting the Griddle, even if purchased fully assembled. Gas leaks may cause a fire or explosion. Please read the instructions on page 15.



Customer Service Hotline

**1-866-994-6390**



ANSI Z21.89-2017 - CSA 1.18-2017

### **DO NOT RETURN PRODUCT TO THE STORE**

Before visiting your local retailer, please email [outdoors@cuisinart.com](mailto:outdoors@cuisinart.com) or call our customer service department at 1-866-994-6390 to chat with a representative. To best serve you, our representatives are available to answer calls Monday to Friday 9 AM to 5 PM EST.

## Table of Contents

<b>Table of Contents</b>	<b>2</b>
<b>Safety Information</b>	<b>3</b>
<b>What's In The Box</b>	<b>5</b>
<b>Assembly Instructions</b>	<b>6</b>
<b>Operating Instructions For Griddle</b>	<b>13</b>
<b>Care and Maintenance</b>	<b>16</b>
<b>Trouble Shooting</b>	<b>17</b>
<b>Match Light Instructions</b>	<b>18</b>
<b>Exploded View</b>	<b>19</b>
<b>Parts List</b>	<b>19</b>
<b>Warranty &amp; Replacement Parts</b>	<b>Back Cover</b>

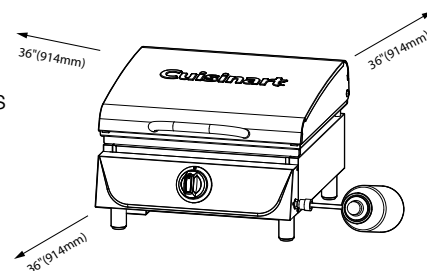
# SAFETY INFORMATION

## SAVE THESE INSTRUCTIONS FOR OUTDOOR HOUSEHOLD USE ONLY

Please read the following instructions carefully before attempting to assemble, operate or install the product. Failure to follow these instructions may result in serious bodily injury and/or property damage. If you have questions regarding the product please call customer service at 866-994-6390, 9 a.m.-5 p.m., EST, Monday-Friday or email outdoors@cuisinart.com.

LP- gas supply cylinder to be used must be constructed and marked in accordance with the specifications for LP-gas cylinders of the U.S Department of Transportation (DOT) or the National Standard of Canada, CAN-B339, Cylinders, Spheres and Tubes for the Transportation of Dangerous Goods.

1. The installation must conform with local codes or, in the absence of local codes, with the National Fuel Gas Codes, with the National Fuel Gas Code, ANSI Z223.1/NFPA 54, Storage and Handling of Liquefied Petroleum Gases, ANSI/NFPA 58.
2. Tabletop Griddle is for outdoor use only. Griddle should be operated in a well-ventilated space. Never operate in an enclosed space, garage or building. Your Griddle is not intended to be installed in or on recreational vehicles and/or boats.
3. Do not move the appliance when in use. Allow the appliance to cool to below 115F(45C) before moving or storing.
4. Do not install or use Griddle within 36" of combustible materials from back and sides of Griddle. Griddle shall not be located under overhead surfaces (closed carport, garage, porch, patio) that can catch fire.
5. Never attempt to attach this Griddle to the self-contained LP gas system of a camper trailer or motor home.
6. It is the responsibility of the assembler/owner to assemble, install and maintain gas Griddle. Do not let children and pets operate or play near your table top Griddle. Failure to follow these instructions could result in serious personal injury and/or property damage.
7. Carefully follow instructions in this manual for proper assembly and leak testing of your Griddle. Do not use Griddle until leak checked. If leak is detected at any time, it must be stopped and corrected before using Griddle further.
8. Appliance area should be kept clear and free from combustible materials, gasoline, bottled gas in any form and other flammable vapors and liquids. Do not obstruct flow of combustion and ventilation air.
9. Never try to light Griddle with lid closed! Buildup of gases is very dangerous and could cause an explosion.
10. Keep any electrical cord or fuel supply hose away from any heated surfaces.
11. Propane is a flammable gas and improper handling may result in explosion and/or fire and serious accident or injury.
12. This appliance will be hot during and after use. Use insulated oven mitts or gloves for protection from hot surfaces or splatter from cooking liquids.
13. Do not leave your Griddle unattended while in operation.
14. Do not use while under the influence of drugs or alcohol.
15. Do not store any spare LP (propane) cylinder, full or empty, under or near your Griddle.
16. Appliance is not intended for commercial use or rental.
17. The cylinder must be disconnected when the appliance is not in use.
18. This appliance is not intended for and should never be used as a heater.



### NATURAL HAZARD • SPIDERS

FACT: Sometimes spiders and other small insects climb into the burner tube. The spiders spin webs, build nests and lay eggs. The webs or nests can be very small, but they are very strong and can block the flow of gas. Clean burner prior to use after storing, at the beginning of griddling season or after a period of one month not being used.

## SAFETY INFORMATION

### The Fuel System

Gas Griddles are used safely by millions of people when following simple safety precautions.

The items in the fuel system are designed for operation with this Griddle. They must not be replaced with any other brand. (See parts list for replacement items.)

**GAS BURNER:** The gas burner is constructed of stainless steel and should not require maintenance other than inspection for insects/nests inside the air intake slots.

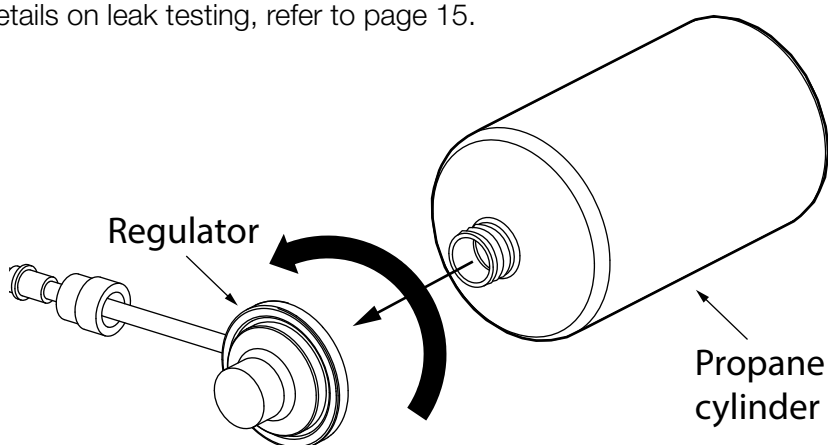
**PROPANE FUEL:** Warning - propane is a flammable gas. Improper handling may result in an explosion and/or fire and serious accident or injury. Your Griddle is designed to operate with propane (LP) gas only and is equipped with the proper orifice for propane gas.

**Caution:** Do not connect this Griddle with any gas supply other than propane. Propane gas is heavier than air and settles in lower areas. Make certain adequate ventilation is available when using your Griddle. The gas cylinder may be stored outside in a well-ventilated area out of the reach of children when the Griddle is not in use. If the appliance is not in use, the gas must be turned off at the supply cylinder.

The LP gas cylinder shall be used only outdoors in a well-ventilated space and not in a building, garage, or any other enclosed area. Tabletop Griddle may be stored indoor if the LP gas cylinder is removed and stored outdoor. The LP gas cylinder (not included) is threaded for connection directly to the gas regulator supplied with this appliance. Care should be taken when threading the cylinder to the regulator to engage threads correctly to achieve the proper and intended connection. When disconnecting or connecting the gas cylinder, be careful that the regulator does not strike the Griddle, the ground, or any other surfaces. Replace the protective cap over the threaded cylinder connection when removed from Griddle. If any difficulty occurs when connecting or disconnecting the cylinder to the regulator assembly, contact your local gas supplier for assistance.

When re-connecting the LP gas cylinder to the regulator, be sure to hand-tighten until snug. This connection should be inspected for damage and leak tested after each re-connection.

**To Leak Test,** Make 2-3 oz. of leak solution by mixing one part liquid dishwashing soap with three parts water. You will need a spray bottle, brush, or rag to apply the solution to the fitting. Bubbles indicate leaks. For more details on leak testing, refer to page 15.

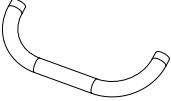

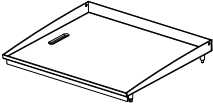
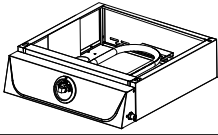
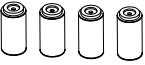




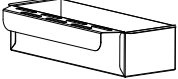
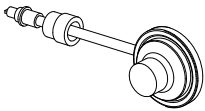
Check all gas supply fittings for leaks before each use. Do not use the Griddle until all connections have been checked and do not leak.

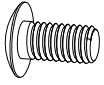
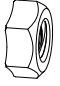
### **⚠ WARNING:**

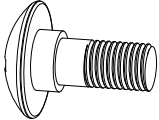

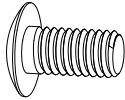
- Always operate the Griddle on a tabletop, no higher than 32 inches.
- Place the propane tank on the ground immediately adjacent to the Griddle, no less than 24 inches from the Griddle.
- Failure to follow these instructions could cause the propane tank to overheat and vent propane which could ignite causing serious personal injuries or property damage and/or a tripping hazard over the gas hose or propane tank.

# WHAT'S IN THE BOX

PART	DESCRIPTION	QTY
1	 Griddle lid handle	1pc
2	 Griddle lid	1pc
3	 Griddle plate	1pc
4	 Griddle body	1pc
5	 Legs	4pc

PART	DESCRIPTION	QTY
6	 Grease cup brackets	2pc
7	 Control knob	1pc
8	 Grease cup	1pc
9	 Propane regulator	1pc

PART	DESCRIPTION	QTY
A	 Grease cup bracket truss head screw M4x8	4pc
B	 Grease cup bracket nut M4	4pc

PART	DESCRIPTION	QTY
C	 Griddle lid screw M6	2pc
D	 Grill lid nut M4	2pc
E	 Handle screw M6x12	2pc

## ASSEMBLY INSTRUCTIONS

Before beginning assembly, installation or operation of product, make sure all parts are present. Compare parts with package contents list. If any part is missing or damaged, do not attempt to assemble, install or operate the product. Contact customer service for replacement parts.

**Estimated assembly time:**  
**15 minutes**

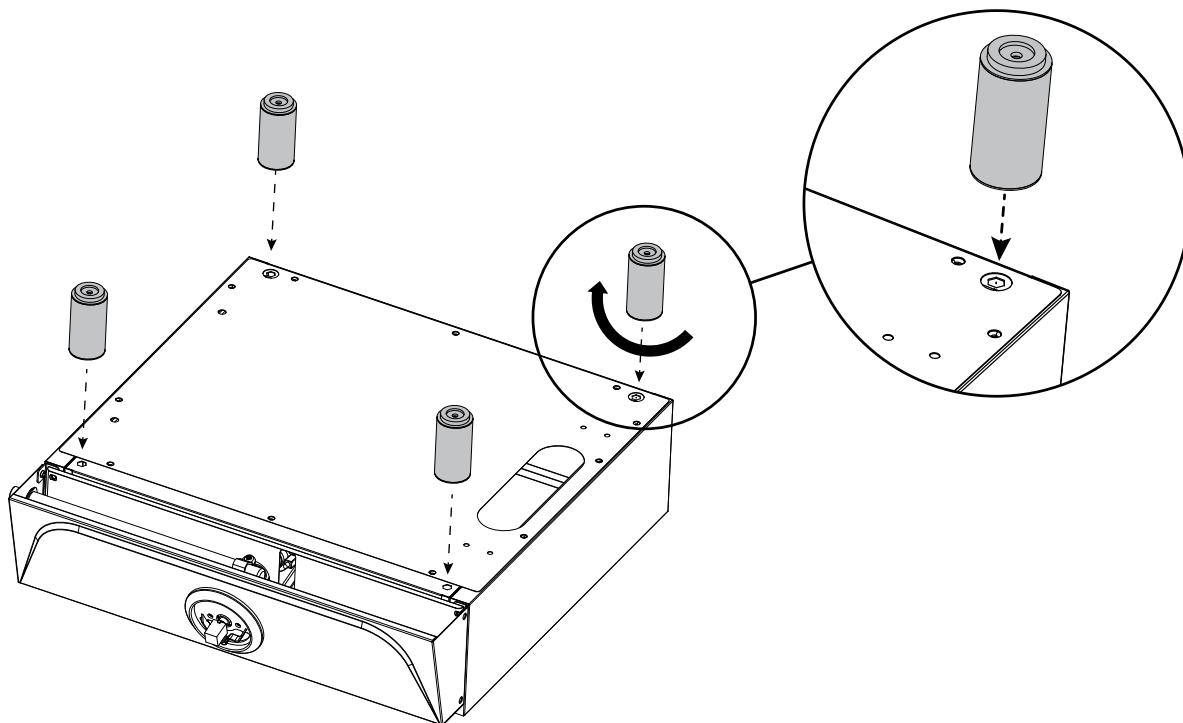
**Tools you will need:**

- **Phillips Head Screwdriver**
- **Adjustable Wrench**

### STEP 1

---

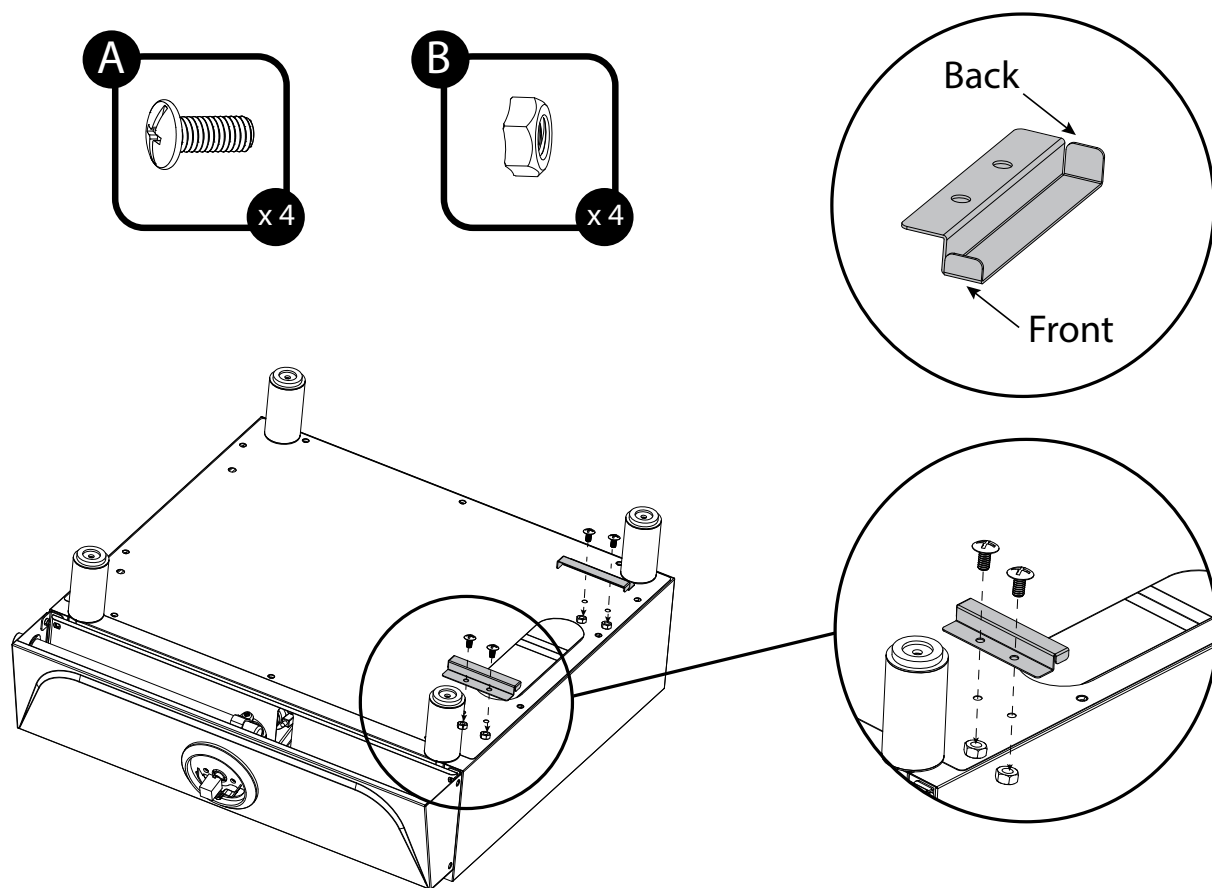
- Insert Legs (5) and rotate clockwise until fully tightened.



# ASSEMBLY INSTRUCTIONS

## STEP 2

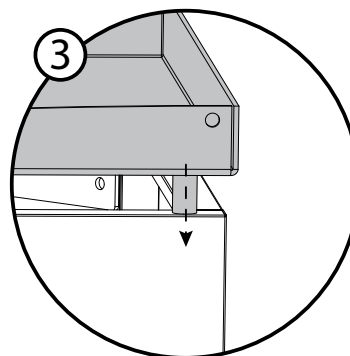
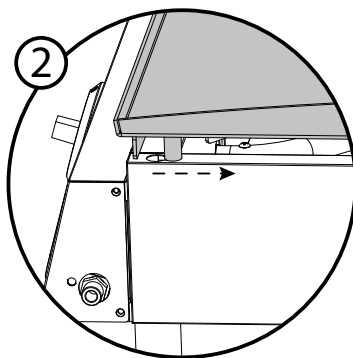
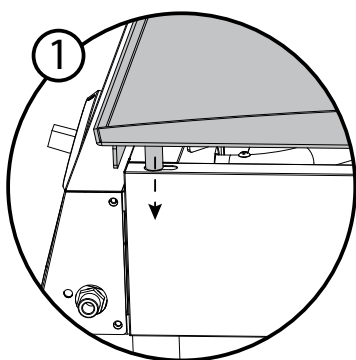
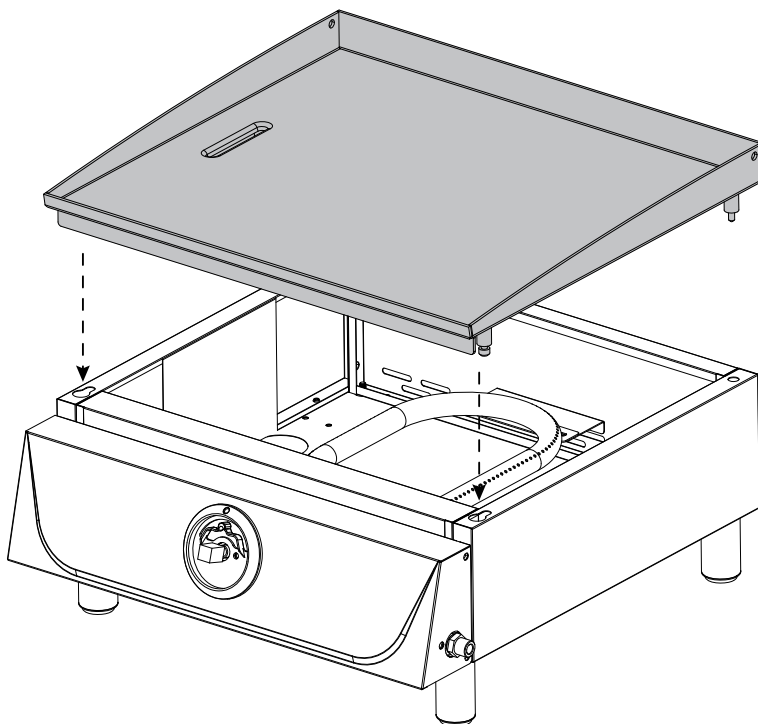
- Screw in Grease cup holder brackets (6) with 4 A Screws and 4 A nuts.



# ASSEMBLY INSTRUCTIONS

## STEP 3

- Line up the front posts on the Griddle plate (3) with the large keyhole slot.
- Insert the front posts and push Griddle plate (3) back.
- Insert back posts into place.

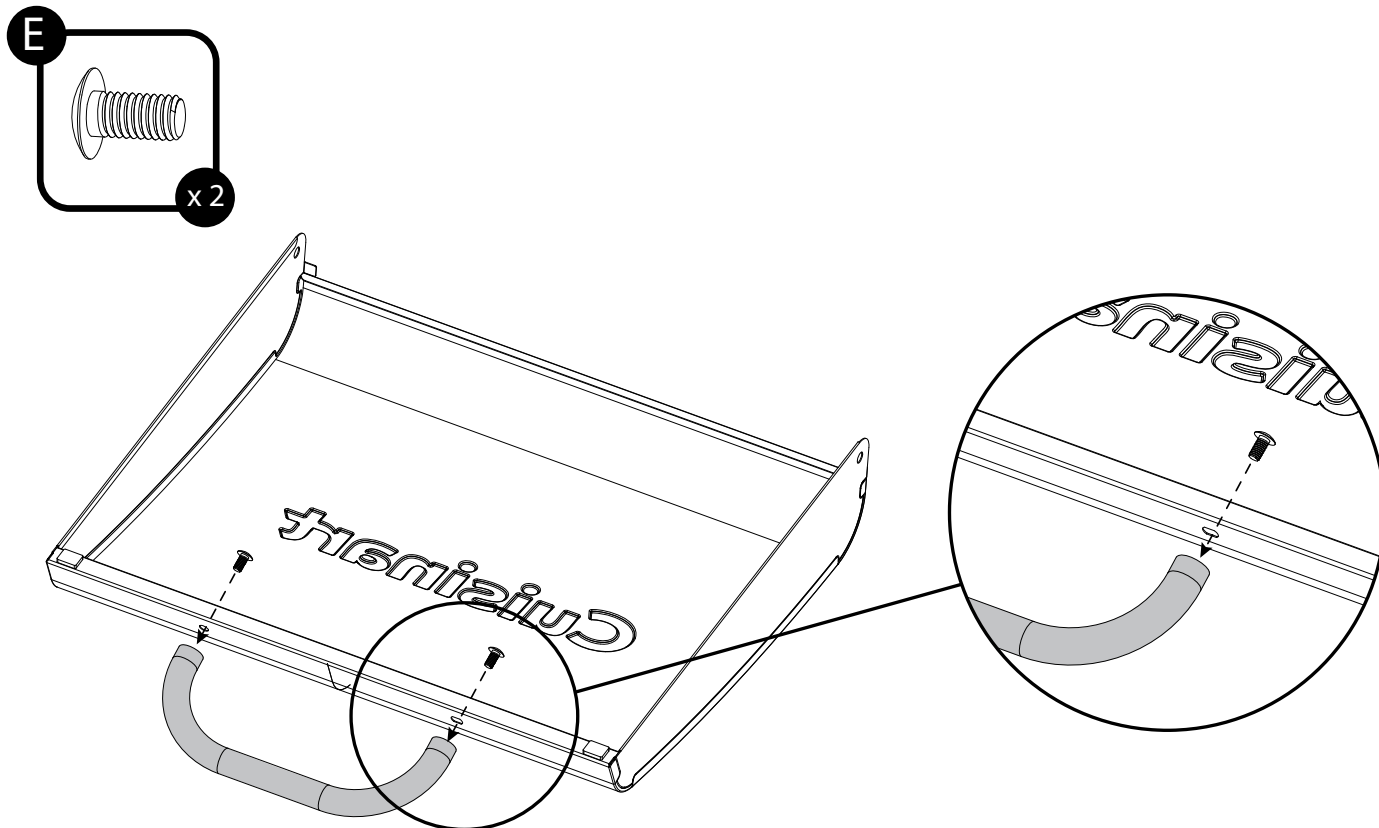




# ASSEMBLY INSTRUCTIONS

## STEP 4

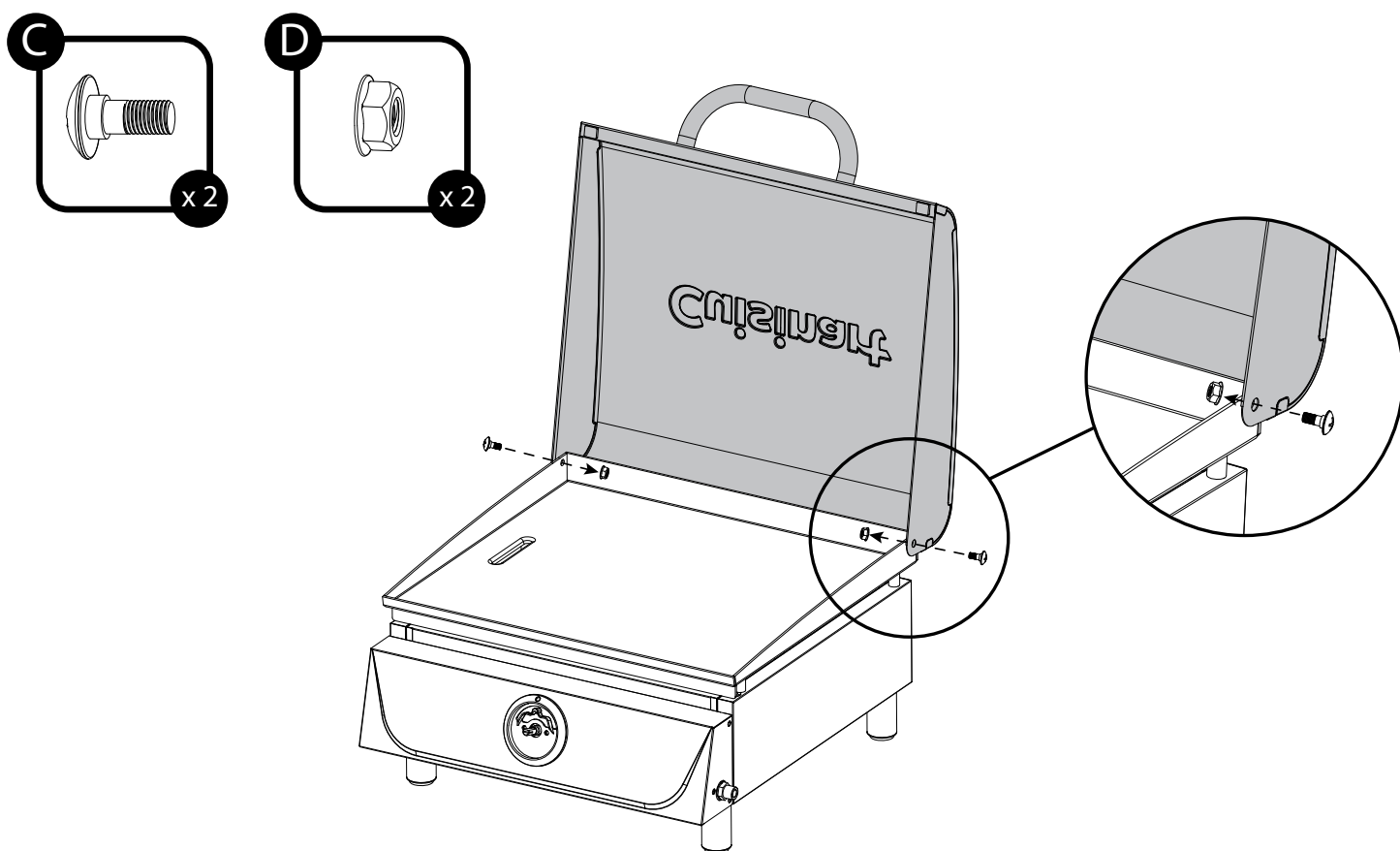
- Using 2 E Screws, attach the Griddle lid handle (1) to the Griddle lid (2).



# ASSEMBLY INSTRUCTIONS

## STEP 5

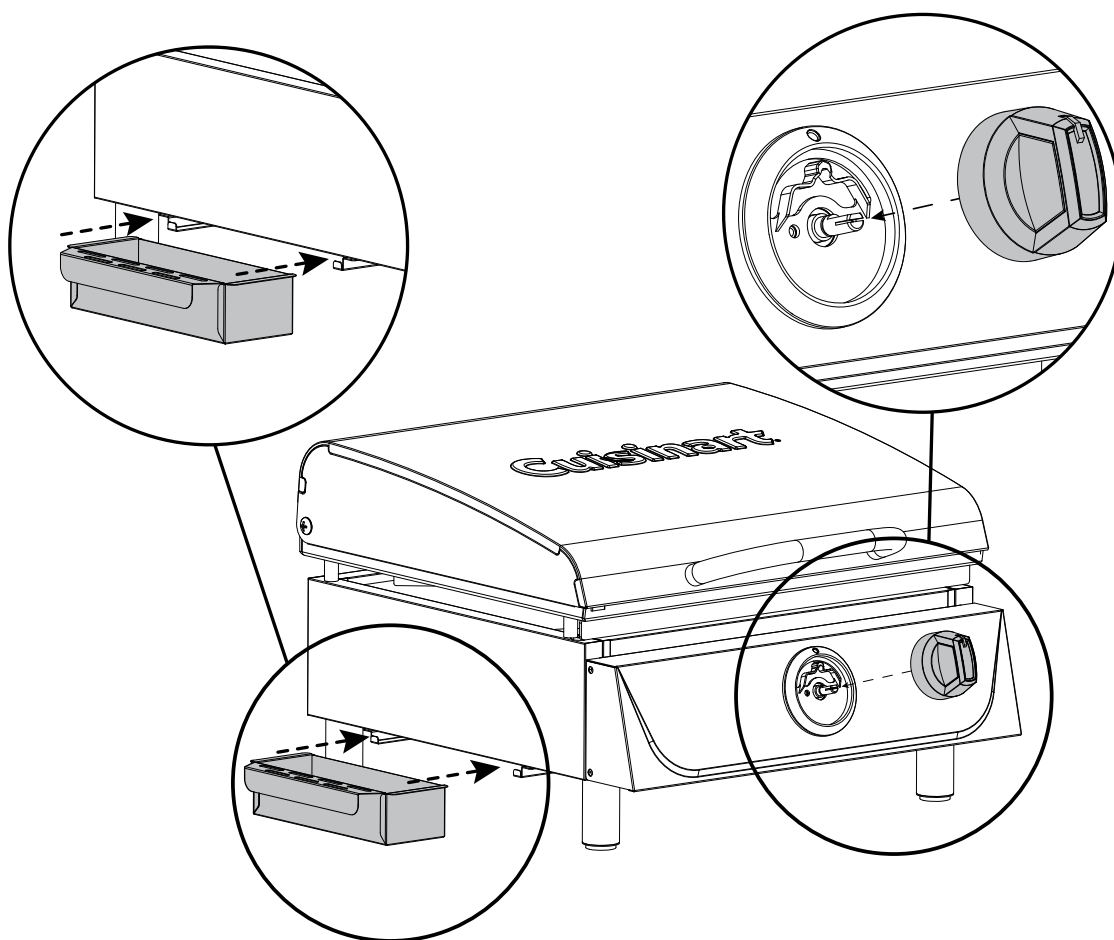
- Attach Lid to Griddle plate by using C Screws and 2 D Nuts.



## ASSEMBLY INSTRUCTIONS

### STEP 6

- Press the Control knob (7) onto the valve stem. Note the D-shaped stem inserts into a corresponding D shaped hole in the Grease cup (8).
- Slide the Grease Cup into the Grease cup brackets (6).

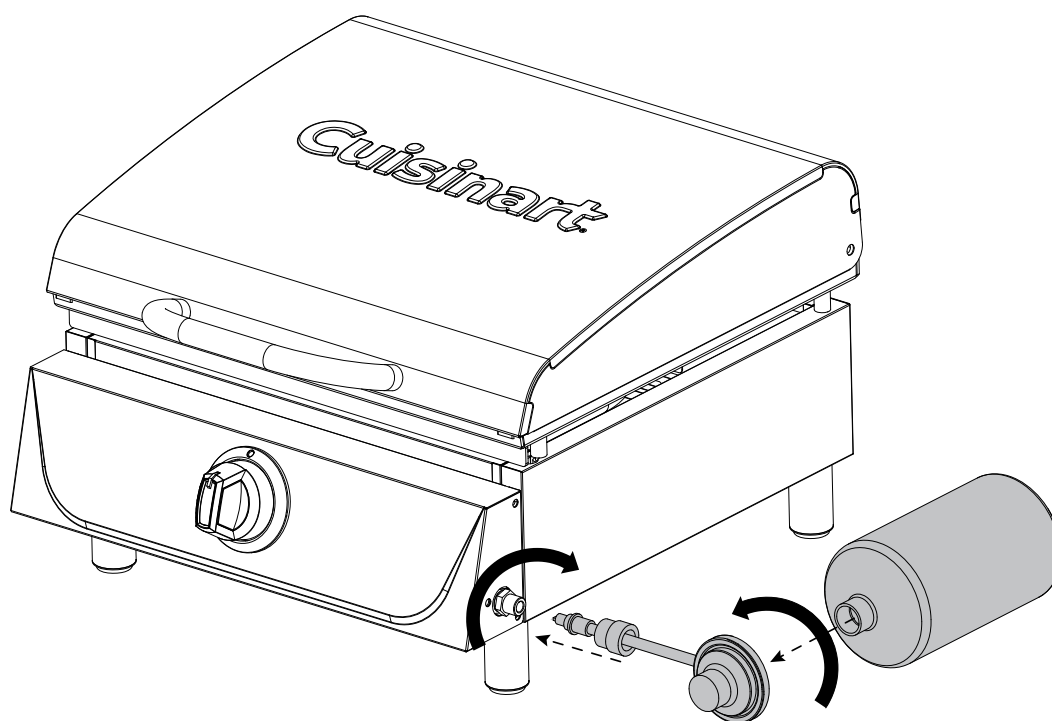


## ASSEMBLY INSTRUCTIONS

### STEP 7

---

- Connect Propane regulator (9) to the Griddle body (4) by rotating clockwise until it's tight.
- Insert a propane cylinder into the Propane regulator (9) and rotate clockwise until it's tight.

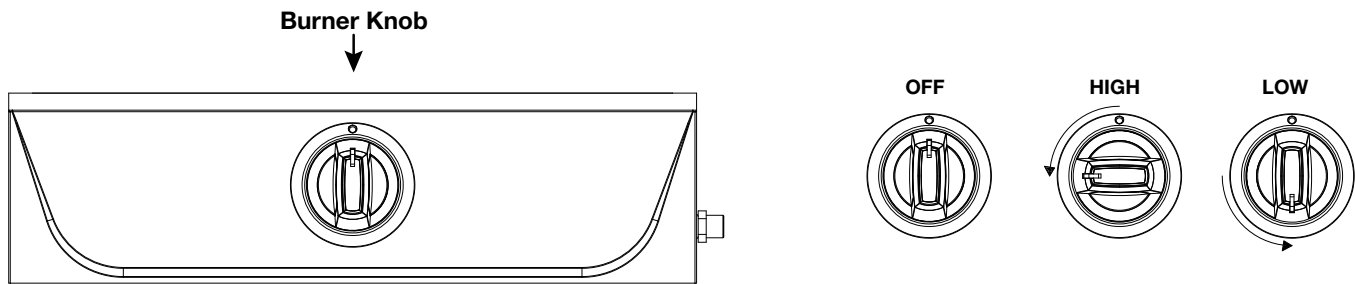


# OPERATING OUTDOOR GRIDDLE (INSTRUCTIONS)

## OUTDOOR USE ONLY / NEVER LEAVE UNATTENDED

**⚠ WARNING:** DO NOT stand with any body parts over active burner.

1. Make sure the propane cylinder is tightly threaded into the regulator. Also check that the burner knob is in the "OFF" position.
2. Open the hood. Push and turn the control knob counterclockwise until you hear a click and START/HIGH is displayed.
3. If Ignition does not occur in 3-5 seconds, turn the burner knob off. Wait 5 minutes before attempting to re-light the burner. If after several attempts it still fails to ignite the burner, call our customer service team at 866-994-6390 for assistance.
4. Burner will start in the HIGH position, adjust to desired power level by turning the knob counterclockwise.
5. Let the unit pre-heat for at least 10-15 minutes before beginning to cook.



## HOW TO SEASON YOUR GRIDDLE

A properly seasoned griddle surface creates a naturally non-stick cook top and helps prevent rusting. Seasoning your griddle surface is essential for optimal performance and longevity. When you receive your griddle, it will already have a thin layer of oil applied. This is to protect from rust during shipping.

1. Start by using warm soapy water and a towel to wash off the shipping oil.
2. Next, you'll want to select a high smoke point oil. (e.g. Sunflower Oil, Vegetable Oil, Soy Oil, Peanut Oil, Avocado Oil)
3. Turn the burner on to HIGH and let the griddle heat for 10-15 minutes. The area above the burner on the griddle surface will begin to darken. Once you see the darkened spots, turn the burners off.
4. Use paper towels to apply a thin coat of oil on the entire griddle surface with tongs or heat-resistant gloves to avoid burning your hand. Turn on all burners to HIGH.
5. The oil will eventually begin to smoke. Leave it on HIGH until the smoke stops (about 15-20 mins). Once the smoke is gone, you have passed the smoke point and can turn the burners off.
6. Repeat oil seasoning process 2-3 more times, until your griddle surface is a smooth, dark brown color.

# OPERATING OUTDOOR GRIDDLE (INSTRUCTIONS)

## **SPECIAL INSTRUCTIONS FOR THE USE OF REGULATOR AND PROPANE (LP) CYLINDER**

---

A 1.00lbs (465g) propane cylinder is required for this operation.

This Cuisinart Griddle is equipped with a regulator having a CGA No.600 cylinder connection

- 1) Only cylinders marked “propane” must be used.
  - 2) The cylinder must be disconnected when the appliance is not in use.
  - 3) Do not store a spare propane cylinder under or near this appliance.
  - 4) Never fill the cylinder beyond 80 percent full.
  - 5) If the instructions in steps 3 and 4 are not followed exactly, a fire causing death or serious injury may occur.
- The propane cylinder must be constructed and marked in accordance with the specifications for LP-Gas cylinders of the U.S. Department of Transportation (D.O.T.) or the National standard of Canada, CAN/CSA-B339, Cylinders, Spheres and Tubes for Transportation of Dangerous Goods.
  - Store spare propane cylinder in a well-ventilated area away from the Griddle.
  - Do not puncture or burn propane cylinder.
  - If the Griddle is not in use, the control knob must be turned to the “OFF” position to shut off the gas flow from the cylinder.

## **INSTALLING PROPANE CYLINDER**

---

The propane cylinder is not provided with the appliance.

A propane cylinder complying with the requirements listed above must be obtained before the Griddle can operate. Connect the propane cylinder to the Griddle outdoors only.

Read and follow all directions on the cylinder.

- 1) Turn the burner control knob to the “OFF” position.
- 2) Remove the protective caps from the cylinder valve and coupling nut, if present.
- 3) Hold the regulator with one hand and insert the propane cylinder into the regulator. Rotate clockwise until tight.
- 5) TIGHTEN BY HAND ONLY. Do not use tools.

## **REMOVAL OF PROPANE CYLINDER**

---

Please see picture below.

- 1) Turn the burner control knob to the “OFF” position.
- 2) Hold the Griddle handle nearest the regulator with one hand, and turn the propane cylinder counterclockwise until it comes off.
- 3) Do not store a spare propane cylinder under or near this appliance.
- 4) Never fill the propane cylinder beyond 80 percent full.

# OPERATING OUTDOOR GRIDDLE (INSTRUCTIONS)

## CHECKING FOR GAS LEAK

---

Check gas system for leaks to prevent fire or explosion hazard.

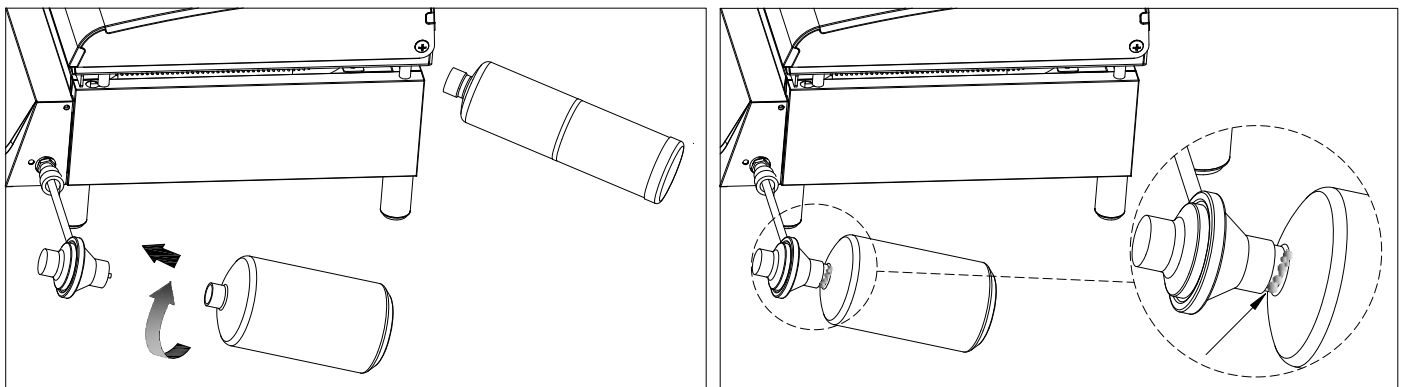
1. The “Leak Check” must be performed before lighting the Griddle and each time the cylinder is connected for use.
2. Do not smoke or allow other sources of ignition in the area while conducting leak test.
3. Conduct leak test outdoors in a well ventilated area.
4. Do not use matches, lighters or a flame to check for leaks.
5. Do not use Griddle until all leaks have been stopped, if you are unable to stop a leak, disconnect the propane supply, and call for gas application service or your local propane gas supplier.

## LEAK TEST PROCEDURE

---

Although gas connections on the Griddle are leak tested prior to shipment, we recommend conducting a leak test after initial setup and every time a propane cylinder is attached. In addition, we recommend performing a leak test once a year. If the unexpected smell of gas is detected at any time a full leak test should be performed.

1. Make 2-3 oz. of leak solution by mixing one part liquid dishwashing soap with three parts water.
2. Make sure the control knob is in the “OFF” position.
3. Spray or paint some leak solution on the cylinder and regulator connection.
4. Inspect the solution at the connections, looking for bubbles. If no bubbles appear, the connection is secure.
5. If bubbles appear, a leak is detected. Go to step 6.
6. Disconnect the cylinder from the regulator, and reconnect. Make sure the connection is secure and no leak is found before using the Griddle.
7. If you continue to see bubbles, DO NOT USE THE Griddle. Repeat the above process with a different propane cylinder. If leaks are still present, contact the customer service center.



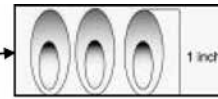
# OPERATING OUTDOOR GRIDDLE (INSTRUCTIONS)

## FLAME CHARACTERISTICS

- Check for proper burner flame characteristics. Burner flames should be blue and stable with no yellow tips, excessive noise, or lifting as shown in Fig. 6.
- Turn the control knobs “OFF.”
- Allow the Griddle and burners to cool.



Figure 6



Visually check the burner flames prior to each use, the flames should look like this picture, if they do not, refer to the Care and Maintenance part of this manual.

## CARE AND MAINTENANCE

### CLEANING AND CARE

- After you’ve finished cooking, add water to the hot griddle surface to create steam to help break up debris and scrape down the surface. Scrape all the residue and remaining water into the grease trap.
- Turn the griddle off and let the surface cool. While it cools, remove and clean out the grease trap. Do this after each use to ensure you have no spillovers the next time.
- When the surface is cool, apply a thin coat of oil over the entire surface to maintain your seasoning. Store your griddle in a cool, dry place. If you’re storing outside, cover the griddle to prevent water collecting on the surface. Griddles are very resilient and, if they rust, can easily be restored. Use a steel scouring pad to remove all rust from the surface and follow the seasoning steps again



**Note:** It’s crucial to prevent rain, snow, or backyard debris from entering the burner, as this can affect its performance.

### MAINTENANCE

- There is very little care and maintenance needed for this Griddle which is designed and made of materials that will last for many years with normal use.
- Following these instructions will improve the longevity and quality of cooking. Keeping appliance area clear and free from combustible materials, gasoline, and other flammable vapors and liquids.
- Not obstructing the flow of combustion and ventilation air.
- Keeping the ventilation opening(s) of the cylinder enclosure free and clear from debris.
- It is recommended to disassemble the burner and clean both inside and outside at least twice a year and especially after long storage. Thoroughly dry the inside and outside of the burner before reassembly. A clogged burner can lead to a fire beneath the appliance.
- Install the burner by inserting the venturi side into the hole in the front of the burner box. Gently move the burner around in the hole until you find the center and can insert it all the way. You will know it is right when the burner points straight out of the hole and the tab at the back of the burner box lines up with the burners corresponding hole. Reinstall the clip to lock the burner in place.
- When Outdoor Griddle is not in use, turn the control knob to the “OFF” position, then detach the regulator from the propane cylinder
- Keep area adjacent to the burner box clear of debris and free of anything flammable or combustible.
- Non-rechargeable batteries are not to be recharged. Batteries are to be inserted with the correct polarity. Exhausted batteries are to be removed from the product. **DO NOT DISPOSE OF BATTERIES IN A FIRE. BATTERIES MAY EXPLODE OR LEAK.**
- The manufacturer has properly located the burner with respect to the orifice to allow the appliance to burn sufficiently. Please do not attempt to adjust the burner. It is preset to the factory specifications.



## CARE AND MAINTENANCE

**THIS COOKING APPLIANCE IS FOR OUTDOOR USE ONLY AND SHALL NOT BE USED IN A BUILDING, GARAGE OR ANY OTHER ENCLOSED AREA.**

### MOVING INSTRUCTIONS

#### Caution:

- Never move the Griddle with burner lit.
- Make sure control knob is in the “OFF” position. Disconnect the propane cylinder from the regulator.
- Be sure the Griddle has completely cooled for at least 30 minutes.
- Close the lid.
- Ensure grease cup is emptied.
- Pick up the Griddle from the bottom of the fire box ensuring the regulator hose does not knock against anything.

## TROUBLE SHOOTING



#### WARNING:

Spiders and insects can nest inside the burners of the Griddle and disrupt gas flow. This very dangerous condition could cause a fire behind the valve panel, thereby damaging the Griddle and making it unsafe for operation. Inspect the Griddle at least twice a year.

#### When to Look for Spiders

You should inspect the burner at least twice a year or immediately after any of the following conditions occur:

- The smell of gas in conjunction with burner flames appearing yellow.
- The product does not reach temperature.
- The product heats unevenly.
- The burner makes popping noises.

#### BEFORE CALLING FOR SERVICE

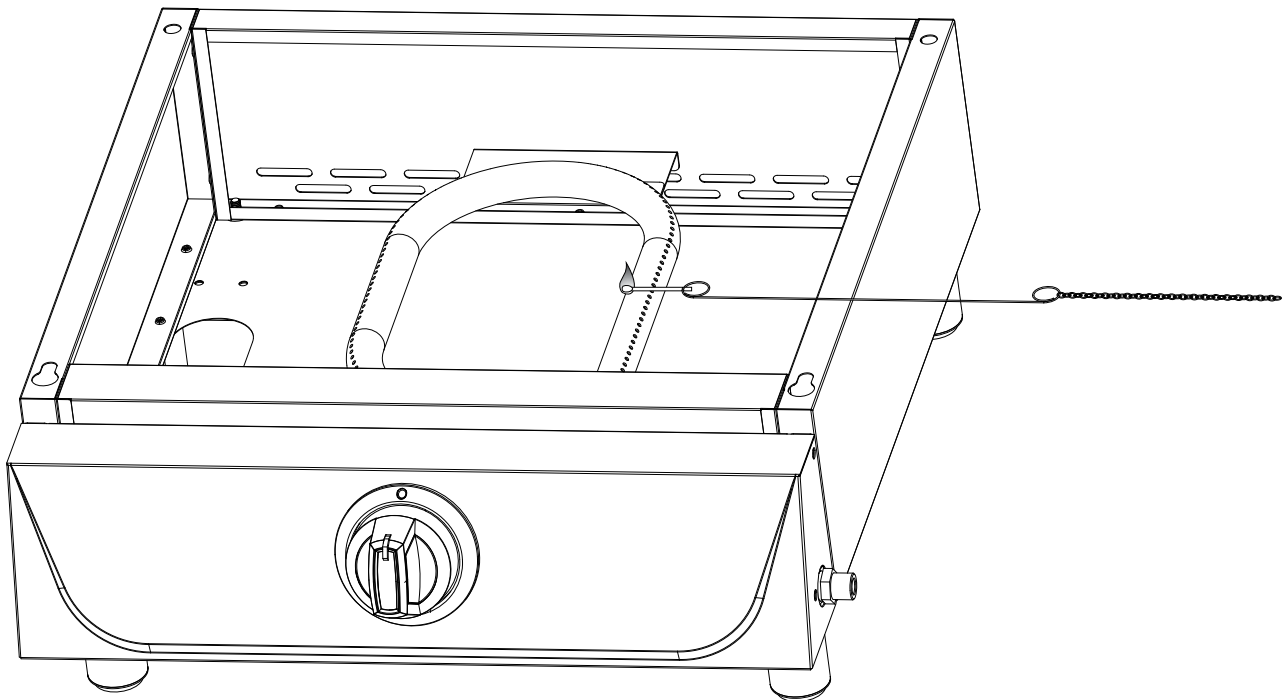
If the Griddle does not function properly, use the following checklist before contacting customer service.

Problems	What To Do
Griddle will not light.	<ul style="list-style-type: none"><li>• Check to see if the propane cylinder is empty.</li><li>• Check burner ports for any blockage. You may need to disassemble the burner to fully clear any blockages.</li><li>• Check the gas nozzle on the burner for an obstruction. If nozzle is blocked, clean with a needle or thin wire. NEVER USE A WOODEN TOOTHPICK.</li></ul>
Burner flame is orange on high power or heat is lower than expected.	<ul style="list-style-type: none"><li>• Check for spiders and insects.</li><li>• Call customer service at 866-994-6390 or email <a href="mailto:outdoors@cuisinart.com">outdoors@cuisinart.com</a></li></ul>
Low heat with the control knob on the “HIGH” setting.	<ul style="list-style-type: none"><li>• Make sure the Griddle area is clear of dust.</li><li>• Make sure the burner and orifice are clean.</li><li>• Check for spiders and insects.</li><li>• Is there adequate gas supply available?</li><li>• Is the Griddle being preheated for 15 minutes?</li></ul>

## MATCH LIGHT INSTRUCTIONS

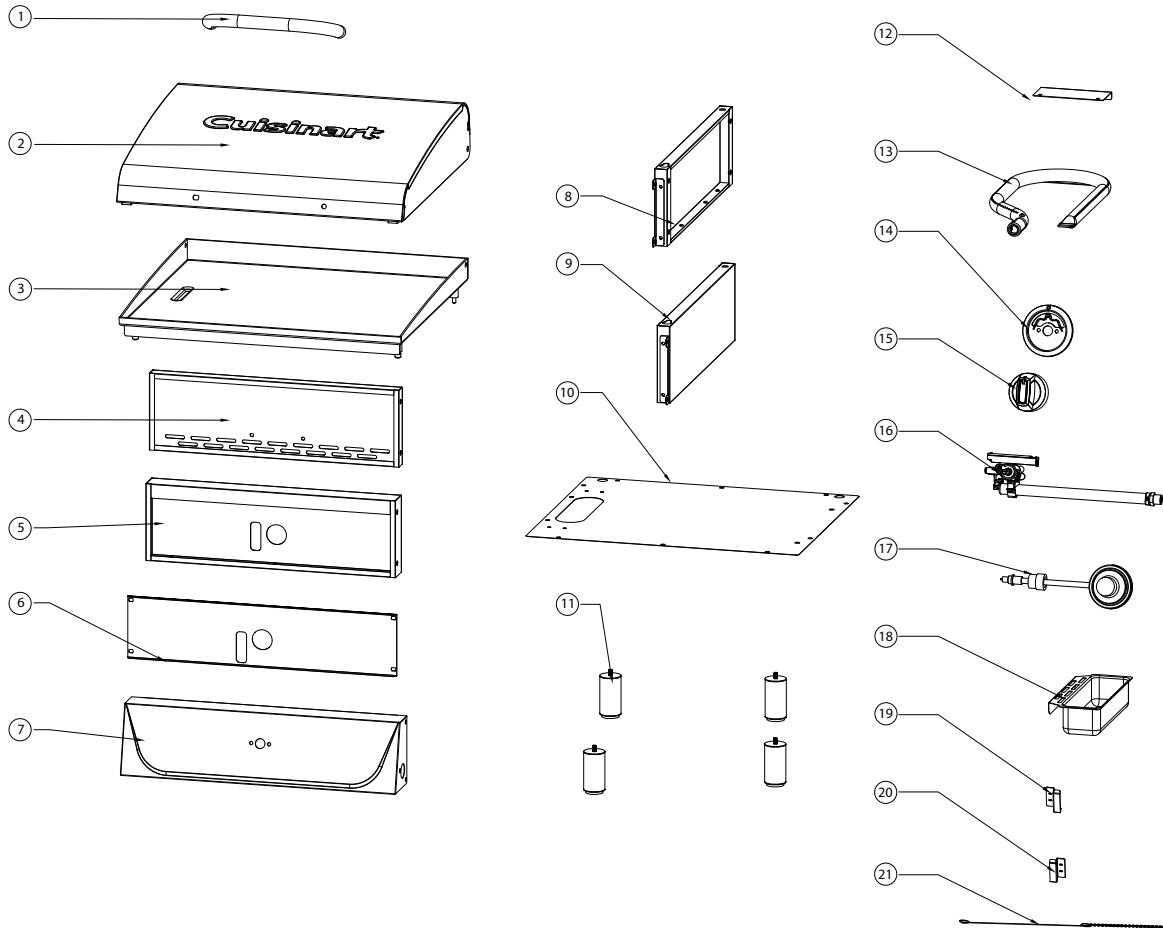
If for any reason you want to use a match to start this product please follow these instructions:

- Remove the lid, Griddle top, or any other obstructions from the top of the burner.
- Verify the propane tank is installed and when turning control knob, gas flows through the burner.
- Locate the match holder which is installed on the right side of the Griddle body.
- Slip a match into the ring clip at the end of the match holder.
- Strike the match.
- Turn the burner knob to the HIGH position then move the lit match towards the burner ports through the gap in the flame tamer. Burner will light.



# EXPLODED VIEW & PARTS LIST

For replacement parts, call our customer service department 866-994-6390, 9 a.m.-5 p.m., EST, Monday-Friday or email [outdoors@cuisinart.com](mailto:outdoors@cuisinart.com) NOTE: Not all parts are replaceable.



Part	Description	Quantity
1	Griddle Lid Handle	1 pc
2	Griddle Lid	1 pc
3	Griddle Plate	1 pc
4	Back Panel	1 pc
5	Front Panel	1 pc
6	Control Panel Cover	1 pc
7	Control Panel	1 pc
8	Left Panel	1 pc
9	Right Panel	1 pc
10	Bottom Panel	1 pc
11	Legs	4 pc
12	Burner Bracket	2 pc
13	Burner	1 pc
14	Bezel	1 pc
15	Knob	1 pc
16	Ignitor	1 pc
17	Regulator	1 pc
18	Grease Cup	1 pc
19	Grease Cup Bracket	1 pc
20	Grease Cup Bracket	1 pc
21	Match Holder	1 pc

## WARRANTY AND REPLACEMENT PARTS

This warranty covers defects in parts and workmanship for a period of 3 years from the original purchase date. Any damage claim regarding the enameling must be submitted within 30 days of purchase to be covered by the warranty.

### **The following conditions are NOT covered by this warranty:**

- Unevenness and color variations in the coated surfaces.
- Damage caused by improper assembly or disregard of the manual.
- Use of spare parts not supplied by manufacturer.
- Damage resulting from modifications or inappropriate use.
- Abuse of the Griddle.
- Damage caused by improper maintenance or repairs by an unauthorized person.

### **Limitations and exclusions:**

1. This warranty applies only to the original purchaser and may not be transferred.
2. If you can not verify the purchase date of the Griddle the warranty period will begin on the date the Griddle was manufactured.
3. Replacement or repair parts are warranted for the remaining period of the original part warranty.

### **Your obligations:**

- This Griddle must be assembled, installed, operated and maintained in accordance with all applicable codes and the instruction manual provided with this Griddle. You must keep an invoice, cancelled check or payment record to verify the purchase date of the Griddle.

**Questions, problems, missing parts? Before returning to your retailer, call our customer service department at 866-994-6390, 9 a.m.-5 p.m., EST, Monday-Friday or email [outdoors@cuisinart.com](mailto:outdoors@cuisinart.com)  
Visit our website: [www.cuisinart.com](http://www.cuisinart.com)**

**Cuisinart**  
**Outdoors™**

**Model#CGG-9236**  
**Cuisinart Outdoors a division of Conair LLC**  
**Newton, MA 02466**