

# Lumination® Allusion Recessed



## Corner Intersection



### BEFORE YOU BEGIN

Read these instructions completely and carefully.



### WARNING/AVERTISSEMENT

#### RISK OF ELECTRIC SHOCK

- Turn power off before inspection, installation or removal.
- Properly ground electrical enclosure.
- Ensure power cord rating exceeds rating of fixture

#### RISK OF FIRE

- Follow all NEC and local codes.
- Use only UL approved wire for input/output connections. Minimum size 18 AWG.
- Type IC, inherently protected.

#### RISQUES DE DÉCHARGES ÉLECTRIQUES

- Coupez l'alimentation avant d'inspecter, installer ou déplacer le luminaire.
- Assurez-vous de correctement mettre à la terre le boîtier d'alimentation électrique.
- Assurez-vous que le calibre du cordon d'alimentation dépasse celui du luminaire

#### RISK OF FIRE

- Respectez tous les codes NEC et codes locaux.
- N'utilisez que des fils approuvés par UL pour les entrées/sorties de connexion. Taille minimum 18 AWG.
- Type IC, protection inhérente.

## Save These Instructions

Use only in the manner intended by the manufacturer. If you have any questions, contact the manufacturer.

These instructions are to be used in conjunction with instructions provided with the adjacent luminance.

## Important

- 120V 60Hz - maximum 50 feet of luminaires can be connected on a single through wiring run
- 277V/347V 60Hz - maximum 100 feet of luminaires can be connected on a single through wiring run
- Please see technical data sheet for electrical properties to ensure safe installation
- Under any circumstance, maximum current through connected fixtures shall not exceed 4.5A

## Tools and Components Required

- Hex headed screwdriver
- Rigid (RMC) or flexible (FMC) metal conduit for supply connection
- UL/cUL approved twist-on-wire connectors, min. 18 AWG
- UL/cUL approved conduit fittings for 1/2" conduit trade size (2 pieces)

## Prepare Electrical Wiring



#### Electrical Requirements

- The LED luminaire must be connected to the mains supply according to its ratings on the product label.



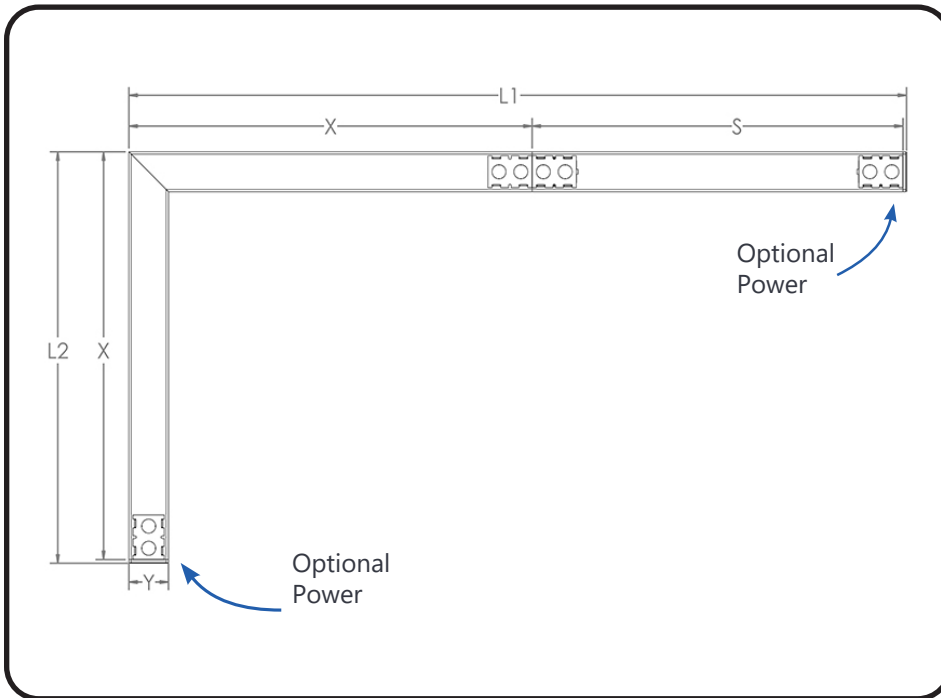
#### Grounding Instructions

- The grounding and bonding of the overall system shall be done in accordance with National Electric Code (NEC) Article 600 and local codes.

## Provided in the Package

- Luminaire
- 8-18 x 2" screws
- Knockout plate for 1/2" trade size conduit knockouts (2)
- Mounting brackets, T-Grid and drywall (4)
- 8-18 x 1/4" screws for mounting bracket installation (8)
- Ceiling grid screw for grid and bracket fixing (4)
- 8-18 x 3/8" screws for bracket to bracket fixing (2)
- Primary diffuser
- Jumper Harnesses

Planning - Recessed Blocking



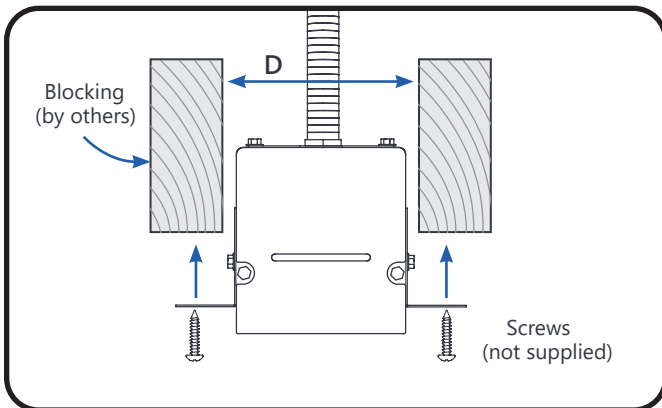
Note:

- Y = Fixture Width
- X = Corner Fixture Length
- S = Starter Fixture Length
- $L1 = X + S + 0.25''$  (end cap)
- $L2 = X + 0.25''$  (end cap)

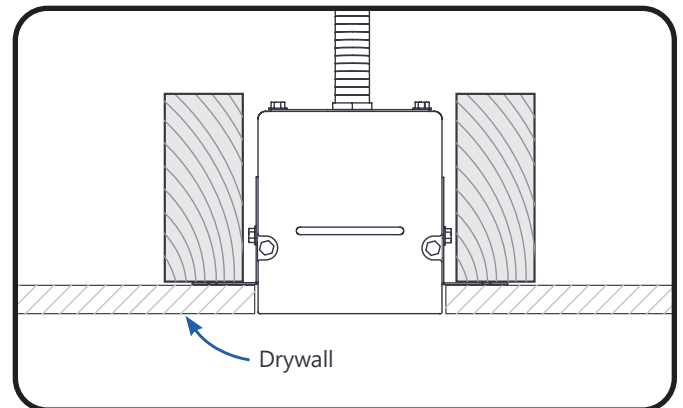
	Y	X
LALR2:	2.5"	25.0"
LALR4:	3.5"	25.5"

Blocking must be installed along both sides of fixtures.

See LALR Series Installation Guide for more details

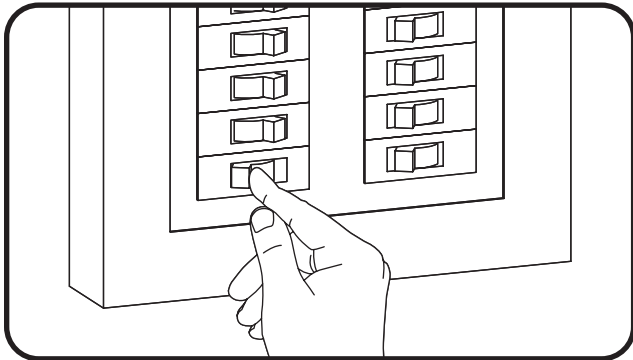


Screw luminaire to existing blocking.  
 D = 3" min. for LALR2 or 4" min. for LALR4.

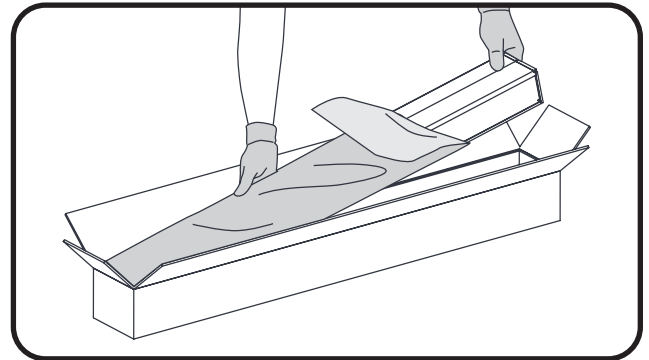


Connect the quick connect from the Rough in Kit to the quick connect on the luminaire. Assemble connector housing.

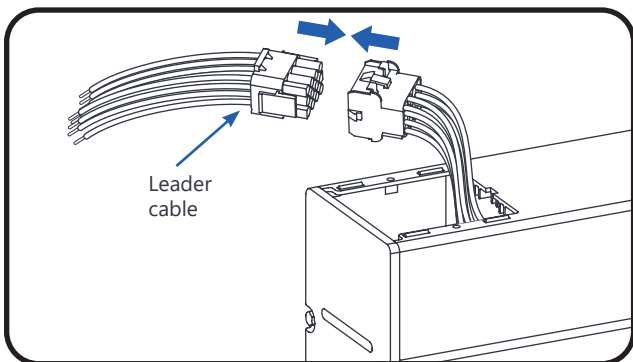
Electrical Connections



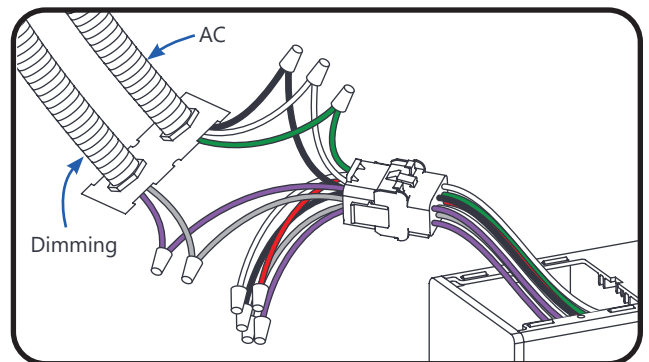
① TURN OFF POWER at the source to the fixture.



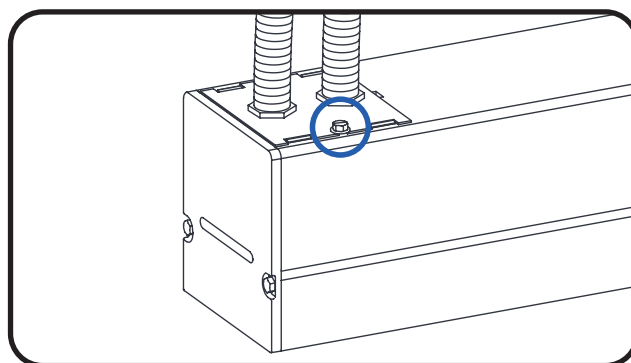
② Carefully unpack unit from its packaging. Properly inspect for defects before installing. Wear work gloves to prevent dirt and oil from being transferred to the luminaire.



③ Connect leader cable to the AC line by clipping harness connectors together. Repeat for dimming leader cable.



④ Connect to the AC line from fixture with twist-on wire connectors to conduit line. Repeat for dimming line. Cap unused wires. See *Wiring Section* for details.



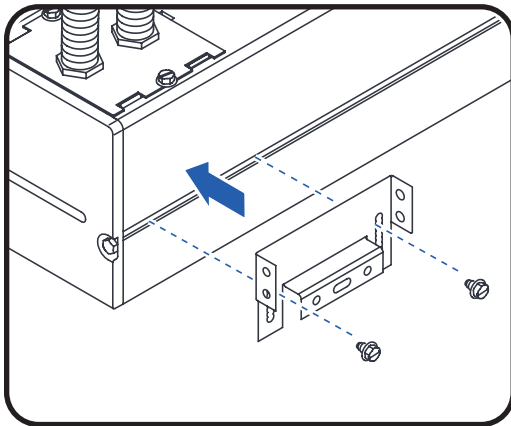
⑤ Reattach knockout plate with conduit attached to fixture with screws.

Knock out plate is provided with fixture in hardware kit box.

### Luminaire Installation

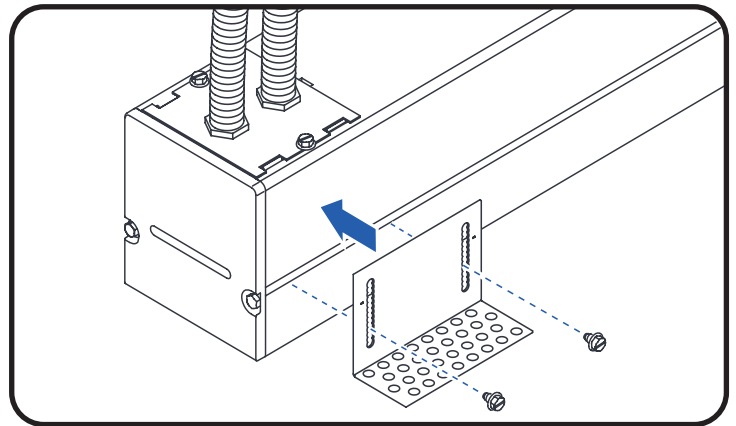
Choose the hardware that is correct for your installation method.

#### T-Grid



- 1 Check bracket height and install the screws in the same hole location. Install four mounting brackets (one per side) into grooves on both sides of luminaire. Position bracket within 1/8-inch from ends.

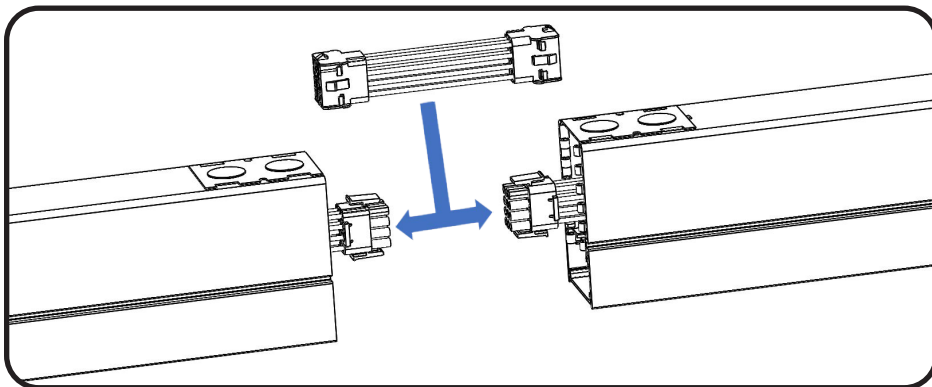
#### Drywall Luminaire Installation



- 1 Attach 4 drywall brackets to luminaire (one per side) with provided screws. Bracket installation height is flexible to accommodate various drywall thicknesses and fixture installation depths.

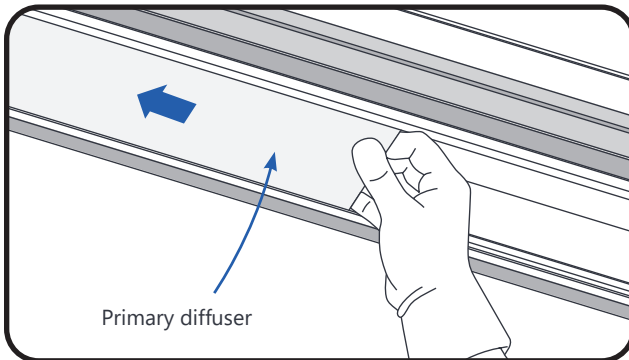
See LALR Series Installation Guide for more details

#### Wiring Harness



- 1 For continuous installations where the harnesses do not mate; use the supplied jumper harness to connect fixtures.

## Diffuser Installation



**Option - one diffuser (primary):** If diffusers were removed prior to installation then re-install diffusers into base of luminaires. Line up diffuser with fixture and snap in lens.

**Note:** Use care not to break the tip of the diffuser.

This device complies with Part 15 of the FCC Rules. Operation is subject to the following two conditions: (1) This device may not cause harmful interference, and (2) this device must accept any interference received, including interference that may cause undesired operation. CAN ICES-005 (A) / NMB-005 (A)

**Note:** This equipment has been tested and found to comply with the limits for a Class A digital device, pursuant to part 15 of the FCC Rules. These limits are designed to provide reasonable protection against harmful interference when the equipment is operated in a commercial environment. This equipment generates, uses, and can radiate radio frequency energy and, if not installed and used in accordance with the instruction manual, may cause harmful interference to radio communications. Operation of this equipment in a residential area is likely to cause harmful interference in which case the user will be required to correct the interference at his own expense.

**Note:** This device complies with part 15 of the FCC rules for the United States and Industry Canada (IC) license exempt RSS standard(s). Operation is subject to the following two conditions: (1) This device may not cause harmful interference, and (2) this device must accept any interference received, including interference that may cause undesired operation. Any changes or modifications not expressly approved by the manufacturer could void the user's authority to operate this equipment. This product is intended for commercial use only.