

# Arize™ H1000 Luminaire Horticulture Lighting System



GEHPS-DE1000 Series



## BEFORE YOU BEGIN

Read these instructions completely and carefully.



Open reflector

Cylindrical reflector

### ⚠ WARNING / AVERTISSEMENT

#### RISK OF ELECTRIC SHOCK

- Turn power off before installation, inspection, cleaning or removal. And follow appropriate lock out/tag out safety procedure.
- Properly ground electrical enclosure.
- Follow all National Electric Codes (NEC) and local codes.
- This product must be installed in accordance with the applicable installation code by a person familiar with the construction and operation of the product and the hazards involved.
- The installation and associated structures are subject to approval by the authority having jurisdiction.
- Use only with components identified in this document.
- Suitable for dry, damp locations.
- Do not expose lamp to water. The lamp may shatter and cause injury.
- Wear suitable Personal Protective Equipment (PPE) during installation/maintenance. Highly recommend safety glasses, helmet and leather gloves for luminaire mounting.
- Luminaire design for Greenhouse only.
- Suitable for operation in an ambient temperature between 0°C and 40°C.
- Do not keep combustible materials below lamp. While lamp breaking is extremely unlikely hot lamp parts may fall and cause property damage.
- Do not turn on lamp until fully installed.

#### RISQUE DE CHOC ELECTRIQUE

- Coupez l'alimentation avant l'inspection, l'installation ou la désinstallation.
- Reliez correctement le boîtier électrique à la mise à la terre.
- Suivre tous les codes électriques locaux applicables.
- Ce produit doit être installé selon le code d'installation pertinent, par une personne qui connaît bien le produit et son fonctionnement ainsi que les risques inhérents.
- L'installation et les structures associées sont soumises à l'approbation des autorités compétentes.
- Utilisez uniquement avec les composants identifiés dans ce document.
- Convient aux endroits secs, et mouillés.
- N'exposez pas la lampe à l'eau. La lampe peut se briser et causer des blessures.
- Portez les équipements de protection individuelle appropriés pendant l'installation et la maintenance. L'utilisation de lunettes de sécurité, d'un casque et des gants de cuir pour le montage du luminaire est fortement recommandée.
- Luminaire conçu pour serres seulement.
- Opération compatible avec un environnement à température ambiante contrôlée entre 0°C et 40°C.
- Ne pas garder de matière combustible sous la lampe. Bien que le bris de la lampe est extrêmement improbable, les pièces chaudes de la lampe peuvent tomber et causer des dommages à la propriété.
- Ne pas allumer la lampe avant d'avoir terminé l'installation.

### ⚠ CAUTION / ATTENTION



Special purpose lamps.  
Not suitable for household illumination.

Lampes à usage spécifique  
Ne conviennent pas à l'éclairage domestique.

## Save These Instructions

Use only in the manner intended by the manufacturer. If you have any questions, contact the manufacturer.

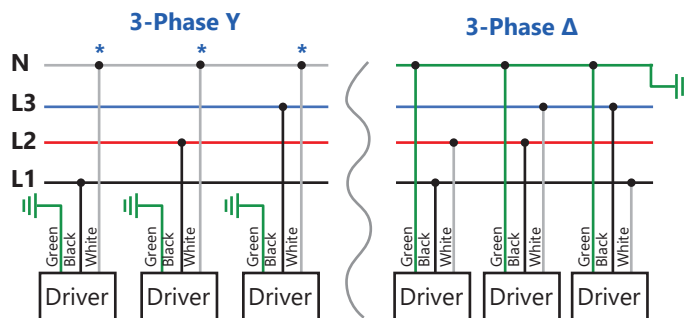
## Risk of Injury/Risque de Blessure

- Do not look directly at the operating lamp for any period of time, this may cause eye injury./  
Ne pas regarder directement l'ampoule lorsqu'elle est allumée pendant une période prolongée, ceci peut causer des blessures oculaires.

## Please Note/Attention

- This device complies with Part 18 of the FCC Rules. This product may cause interference to radio equipment and should not be installed near maritime safety communications equipment or other critical navigation or communication equipment operating between 0.45-30 MHz.
- This Class [A] RFLD complies with the Canadian standard ICES-005 (\*)./  
Ce DEFR de la classe [A] est conforme à la NMB-005 (\*) du Canada.
- Modifying or opening the system will void the warranty.
- Before resetting the ballast, please allow 15 minutes for the lamp to cool down.
- When your system cannot be ignited, please check the LED indicator first to diagnose the problem and find a solution. Check if all the connections are correct. If the lamp is still off, please contact the manufacturer or distributor.

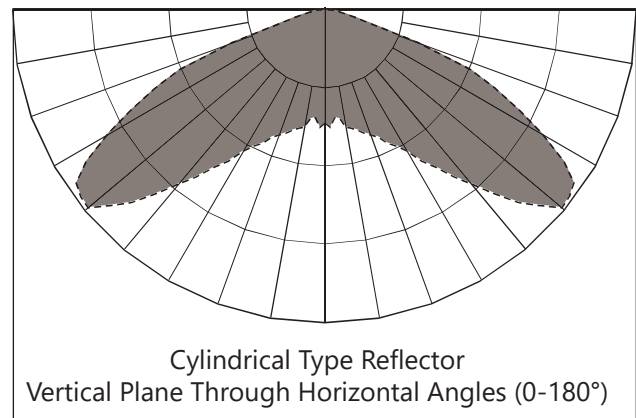
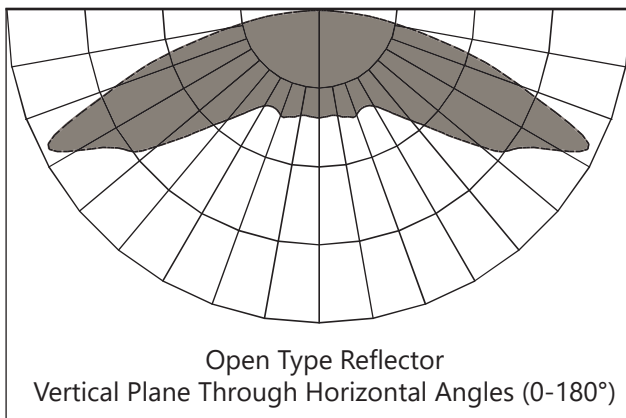
## Wiring Diagram



**REPEAT FOR ENTIRE CIRCUIT BALANCING OUT EACH PHASE**

\*White = Neutral or Line 2

## Light Dispersion



## LED Indicator Function

The LED indicator is designed to help troubleshoot minor issues with the ballast.

The LED indicator statuses are as follows:

- LED off: no power supply/with power supply.
- LED flashing: see below table for flash pattern and resolutions:

Flash Frequency	Status	Description and Solution
Flashing Once	Ballast Locked	The ballast tried to light the lamp five times. Disconnect and reconnect power source.
Flashing Twice	Output Error	The lamp stopped for unknown reason. Check whether the lamp is correctly mounted.
Flashing Three Times	Low Input Voltage	The input voltage is too low. Ensure the input voltage matches the power cord and ballast specifications.
Flashing Four Times	High Temperature	The ballast has overheated. Reduce the ambient temperature.
Flashing Five Times	Lamp Error	Lamp voltage is too high or too low. Ensure lamp matches specifications.
Flashing Six Times	High Input Voltage	The input voltage is too high. Ensure the input voltage matches the power cord and ballast specifications.

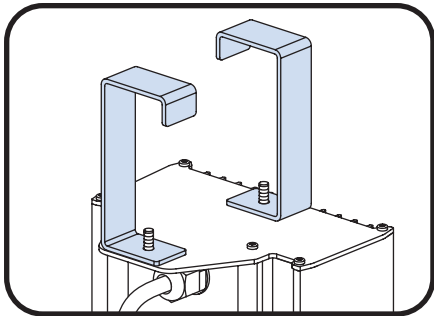
## Product Specifications

SKU	Description	Description	Product Quantity	Product Weight lbs (kg)	Dimensions inches (L x W x H)	Voltage	Max Rated Input Current*	Power Factor
93121131	GEHPS-DE1000-4CS4N1	1000W, Cylindrical Reflector, 41mm Hangers	1	7.43(3.37)	12.3 x 9 x 21	277/347 VAC,50/60Hz	4.8/3.8A	> 0.95
93121132	GEHPS-DE1000-4OS4N1	1000W, Open Reflector, 41mm Hangers	1	7.32(3.32)	12.7 x 9.3 x 21	277/347 VAC,50/60Hz	4.8/3.8A	>0.95
93121133	GEHPS-DE1000-4CS5N1	1000W, Cylindrical Reflector, 51mm Hangers	1	7.43 (3.37)	12.3 x 9 x 21	277/347 VAC,50/60Hz	4.8/3.8A	>0.95
93121134	GEHPS-DE1000-4OS5N1	1000W, Open Reflector, 51mm Hangers	1	7.32 (3.32)	12.7 x 9.3 x 21	277/347 VAC,50/60Hz	4.8/3.8A	>0.95
93121135	GEHPS-DE1000-5CS4N1	1000W, Cylindrical Reflector, 41mm Hangers	1	7.12 (3.23)	12.7 x 9.3 x 21	480 VAC,50/60Hz	2.6A	>0.95
93121226	GEHPS-DE1000-5OS4N1	1000W, Open Reflector, 41mm Hangers	1	7.01 (3.18)	12.3 x 9 x 21	480 VAC,50/60Hz	2.6A	>0.95
93121227	GEHPS-DE1000-5CS5N1	1000W, Cylindrical Reflector, 51mm Hangers	1	7.12 (3.23)	12.7 x 9.3 x 21	480 VAC,50/60Hz	2.6A	>0.95
93121228	GEHPS-DE1000-5OS5N1	1000W, Open Reflector, 51mm Hangers	1	7.01 (3.18)	12.7 x 9.3 x 21	480 VAC,50/60Hz	2.6A	>0.95
93121229	GEHPS-BLB-1000W-DE	Double-Ended 100W HPS Bulb	12	-	-	-	-	-
93121230	GEHPS-RFT-CYL-DE10	Cylindrical Reflector	10	-	-	-	-	-
93121231	GEHPS-RFT-OPN-DE10	Open Reflector	5	-	-	-	-	-

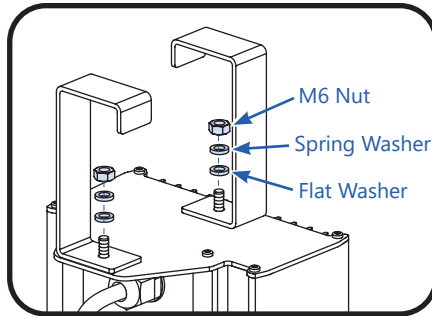
\* Max Rated Input Current (A) covers voltage variations, lamp end of life electrical characteristics and environmental variations impact.

### Installation Steps

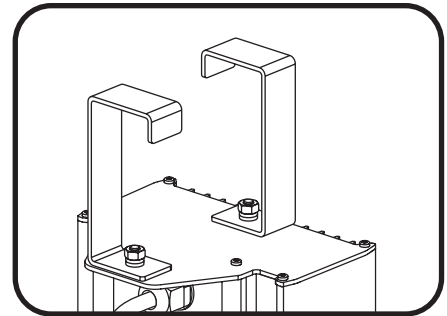
#### Mounting Option A: Hook Installation Instructions



1 Install the hooks (hangers) onto the threaded studs. Ensure the hooks are facing opposite directions.

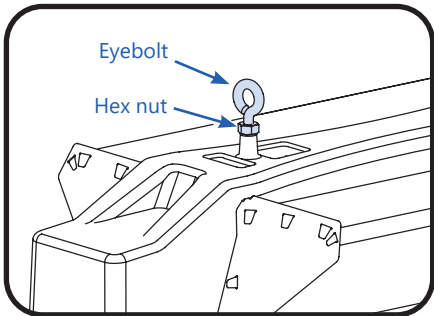


2 Each hook by first sliding on a nylon washer, then a spring washer, and then securing with an M6 nut.

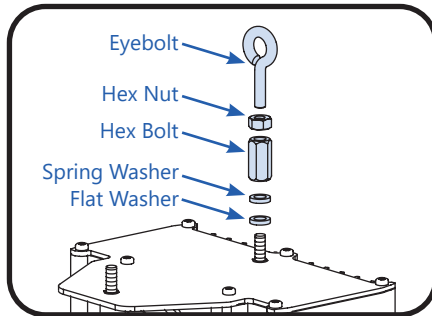


3 Ready to mount.

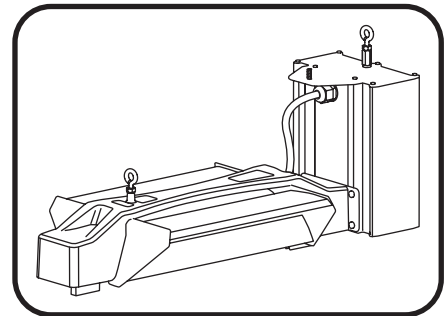
#### Mounting Option B: Eyebolts Installation Instructions



1 Thread the hex nut all the way onto the eye bolt. Then screw the eyebolt into the threaded boss on top of the lamp holder assembly. Then tighten the hex nut down the eye bolt onto the boss to properly secure the eyebolt.

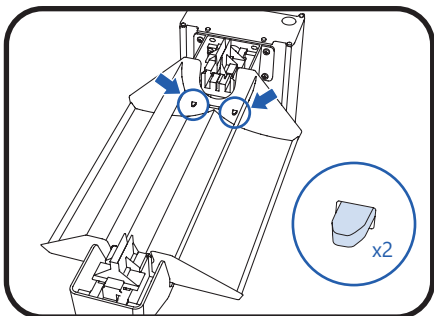


2 For the other eyebolt, first slide a nylon washer and a spring washer onto one of the studs above the ballast. Then thread and tighten down a hexagonal standoff onto the stud. Then follow the steps above to properly secure the eyebolt into the hexagonal stud.

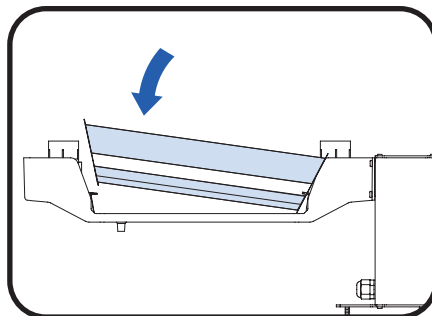


3 Ready to mount.

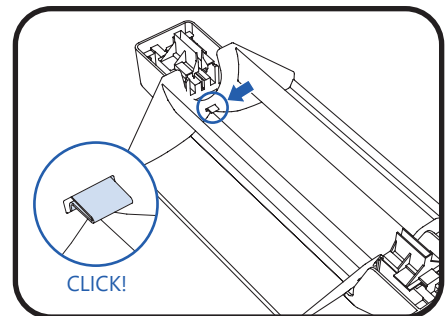
#### Reflector Installation Instructions



1 Align the two holes on the reflector to the two pins on the side of the ballast.



2 Push the other side of the reflector down toward the bracket side.



3 A click will be heard once properly installed. To remove the reflector, retract the two pins.

## Lamp Installation Instructions

### ⚠ WARNING / AVERTISSEMENT

#### RISK OF ELECTRIC SHOCK

- Turn power off before inspection, installation or removal.

#### RISK OF FIRE

- Only use lamps specified on the luminaire.
- Make sure the lamp-holders are clean and in good condition, replace new one when needed. Affix the lamp securely in the socket. Improper installation will cause electrical arcing, overheating, and short life to lamp and socket.

#### RISQUE DE DÉCHARGE ÉLECTRIQUE

- Coupez l'alimentation avant l'inspection, l'installation ou la désinstallation.

#### RISQUE DE DÉCHARGE ÉLECTRIQUE

- Seulement utiliser les ampoules indiquées sur le luminaire.
- S'assurer que les supports de lampe sont propres et en bonne condition, remplacer par un nouveau lorsque nécessaire. Insérer l'ampoule solidement dans la douille. Une installation inappropriée peut causer des arcs électriques, une surchauffe et une courte durée de vie pour l'ampoule et la douille.

### ⚠ CAUTION / ATTENTION

#### RISK OF BURN

- Allow lamp and reflector to cool before handling.
- Do not turn on lamp until fully installed.

#### LAMP MAY SHATTER AND CAUSE INJURY IF BROKEN

- Wear safety glasses and gloves when handling lamp.
- Do not use lamp if outer glass is scratched or broken.
- Do not use excessive force when installing lamp.

#### RISQUE DE BRÛLURE

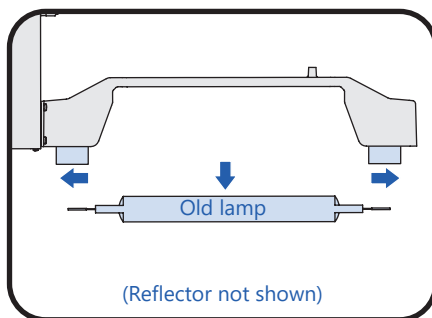
- Laisser l'ampoule et le réflecteur refroidir avant de les manipuler.
- Ne pas allumer la lampe avant d'avoir terminé l'installation.

#### L'AMPOULE PEUT ÉCLATER ET CAUSER DES BLESSURES SI ELLE EST BRISÉE

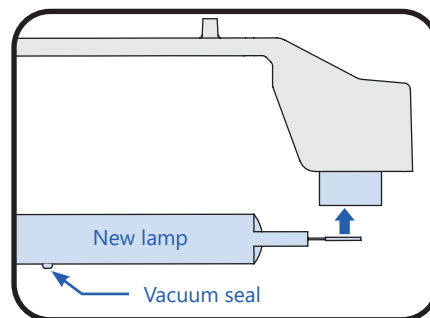
- Porter des lunettes et des gants de sécurité pour manipuler l'ampoule.
- Ne pas utiliser l'ampoule si le verre externe est égratigné ou brisé.
- Ne pas utiliser une force excessive pour installer l'ampoule.

### NOTE:

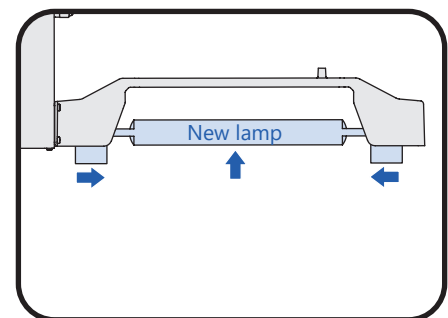
- Never bend the lamp wires.
- Always use a fabric gloves to handle the lamp and reflector.
- It is recommended to replace the lamp after 10,000 hours, and the reflector after 2-4 years.



- ① Open the lamp holders by sliding them outward. Carefully take out the old lamp.



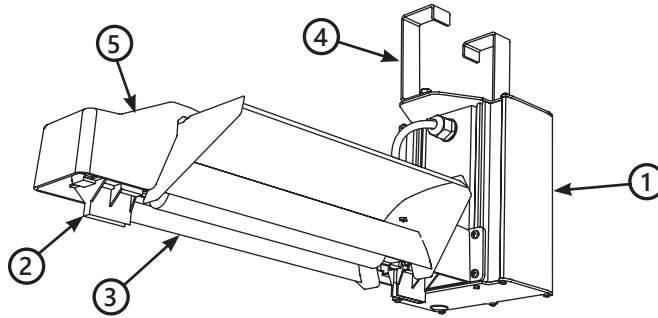
- ② Install the new lamp with the glass vacuum seal pointed downward. Carefully place the lamp wires into the lamp holder, ensuring contact with the metal connector. The spring clips on the lamp holders can temporarily hold the lamp in place.



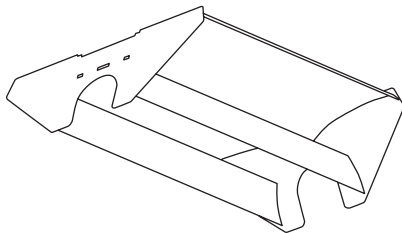
- ③ Close the lamp holders by sliding them inwards.

List of Components

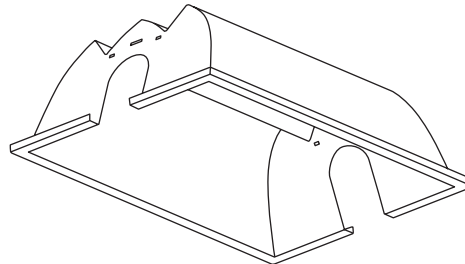
- ① Ballast
- ② Lamp Holder
- ③ Reflector Options
- ④ Mounting Options
- ⑤ Bracket



Reflector Options



GEHPS-RFT-OPN-DE10

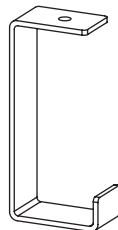


GEHPS-RFT-CYL-DE10

Mounting Options



41mm hook ×2



51mm hook ×2



Eyebolts ×2

Conforms to the following standards:



Visit [www.LED.com](http://www.LED.com)  
 Call us today! 1-888-694-3533  
 Email us: [horticulture.info@gecurrent.com](mailto:horticulture.info@gecurrent.com)