

Lumination® LED Luminaire

9-Inch Flush Mount Ceiling Fixture (FM-Series)



BEFORE YOU BEGIN

Read these instructions completely and carefully.

⚠ WARNING/AVERTISSEMENT

RISK OF ELECTRIC SHOCK

- Turn power off before inspection, installation or removal.
- Properly ground electrical enclosure.

RISK OF ELECTRIC SHOCK

- Follow all NEC and local codes.
- Use only UL or IEC approved wire for input/output connections. Minimum size 18 AWG (0.75mm²).

RISQUES DE DÉCHARGES ÉLECTRIQUES

- Coupez l'alimentation avant d'inspecter, installer ou déplacer le luminaire.
- Assurez-vous de correctement mettre à la terre le boîtier d'alimentation électrique.

RISQUES D' INCENDIE

- Respectez tous les codes NEC et codes locaux.
- N'utilisez que des fils approuvés par UL pour les entrées/sorties de connexion. Taille minimum 18 AWG (0.75mm²).

This device complies with Part 15 of the FCC Rules. Operation is subject to the following two conditions: (1) This device may not cause harmful interference, and (2) this device must accept any interference received, including interference that may cause undesired operation. This Class [A] RFLD complies with the Canadian standard ICES-003. Ce DEFR de la classe [A] est conforme à la NMB-003 du Canada.

Note: This equipment has been tested and found to comply with the limits for a Class A digital device, pursuant to part 15 of the FCC Rules. These limits are designed to provide reasonable protection against harmful interference when the equipment is operated in a commercial environment. This equipment generates, uses, and can radiate radio frequency energy and, if not installed and used in accordance with the instruction manual, may cause harmful interference to radio communications. Operation of this equipment in a residential area is likely to cause harmful interference in which case the user will be required to correct the interference at his own expense.

Save These Instructions

Use only in the manner intended by the manufacturer. If you have any questions, contact the manufacturer.

Components Supplied

- Wire nuts (2)
- Screws (3)
- Dry wall anchors (3)
- Fixture (1)

Prepare Electrical Wiring



Electrical Requirements

The LED luminaire must be connected to the mains supply according to its ratings on the product label.

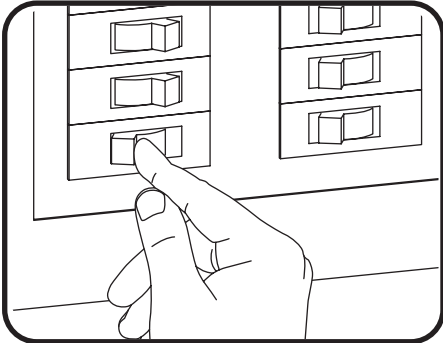
Model	Input Voltage	Input Frequency	Input Wattage	Input Current
LED15FMM9-W	95-132V	50/60Hz	15W	0.180A



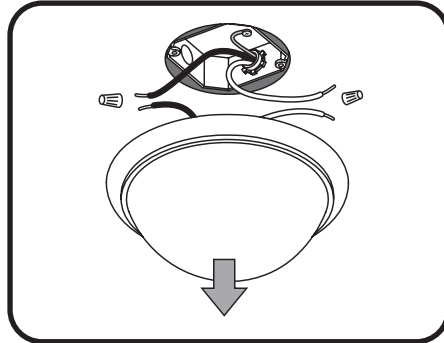
Grounding Instructions

The grounding and bonding of the overall system shall be done in accordance with local electric code of the country where the luminaire is installed.

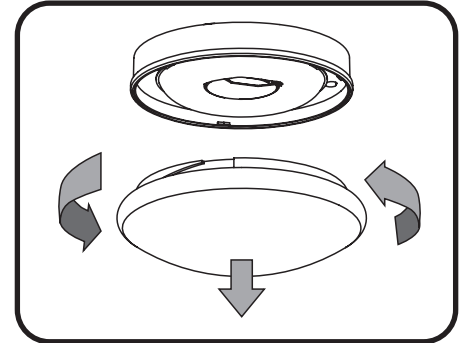
Installation



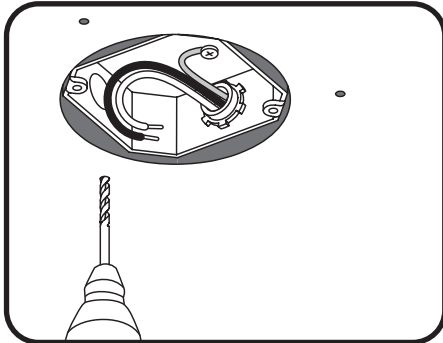
① TURN OFF POWER at the source.



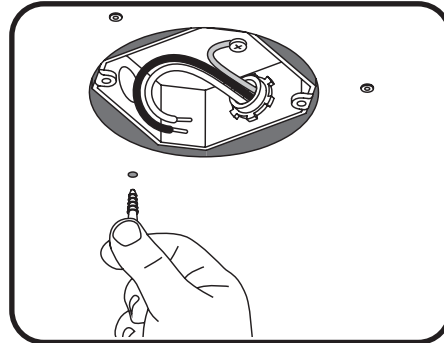
② If applicable, remove the existing light fixture.



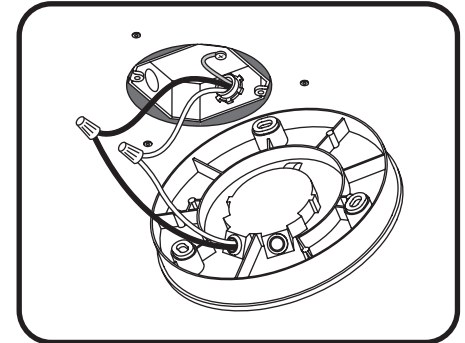
③ Twist to remove fixture cover.



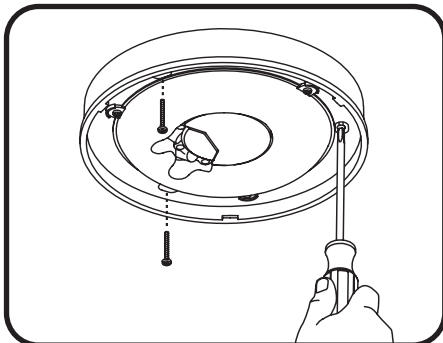
④ Mark ceiling around electrical box and drill 3 holes.



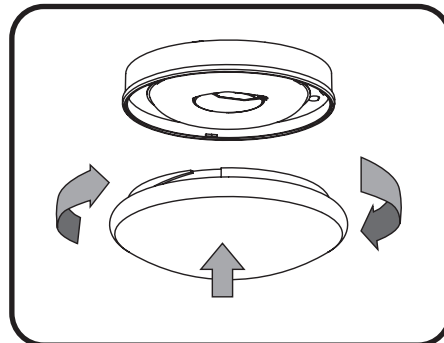
⑤ Install 3 drywall anchors.



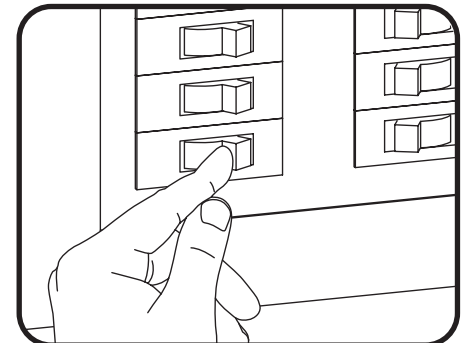
⑥ Connect white wire to neutral wire and black wire to live wire using wire nuts.



⑦ Screw fixture to ceiling. Do not touch LED Chips while performing this step.



⑧ Reattach cover.



⑨ Restore power.