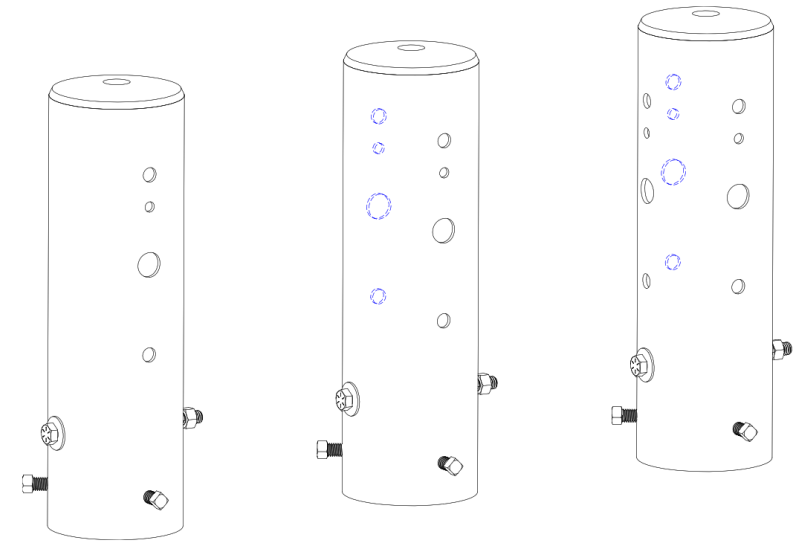


# GE **current**

a Daintree company

## Post Top Tennon Adaptor (PTT) Install Guide



Please read these instructions completely  
and carefully before installation

# Warnings/Cautions

---

 **WARNING**

**Risk of electrical shock or fire.** To reduce risk of electric shock or fire disconnect any exposed wiring from supply circuit before installation.

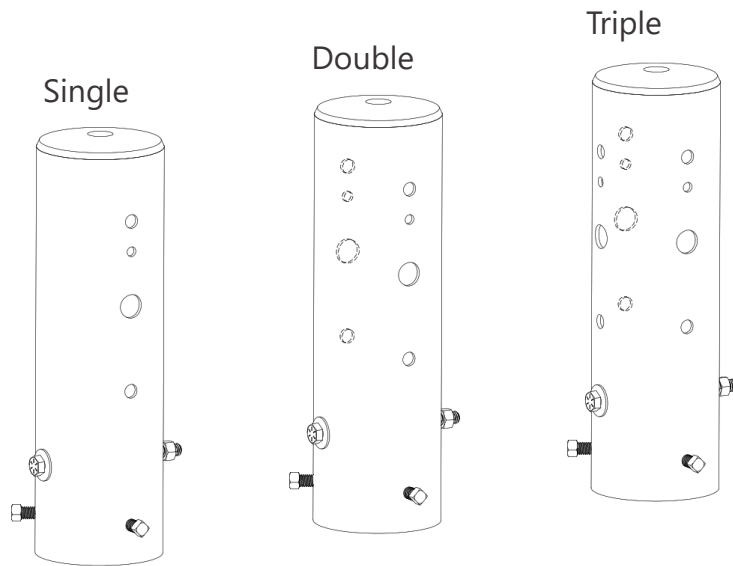
 **CAUTION**

**Risk of injury.** Wear safety glasses and gloves during installation and servicing.

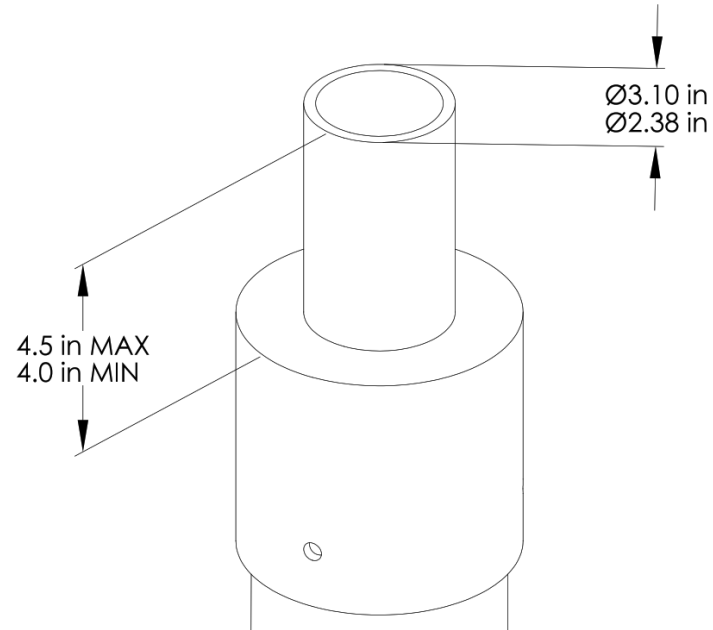
 **WARNING**

**Risk of injury or damage.** Unit will fall if not installed properly. Follow installation instructions.

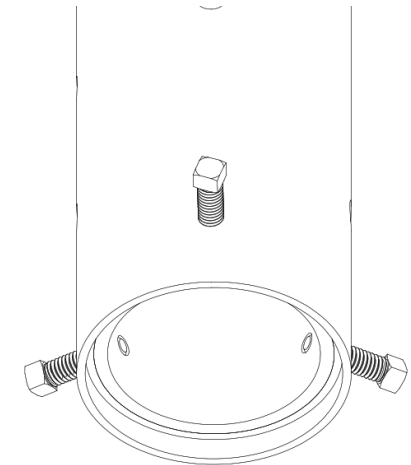
# Mounting Steps



**1** Verify the PTT supports the desired number of fixture positions

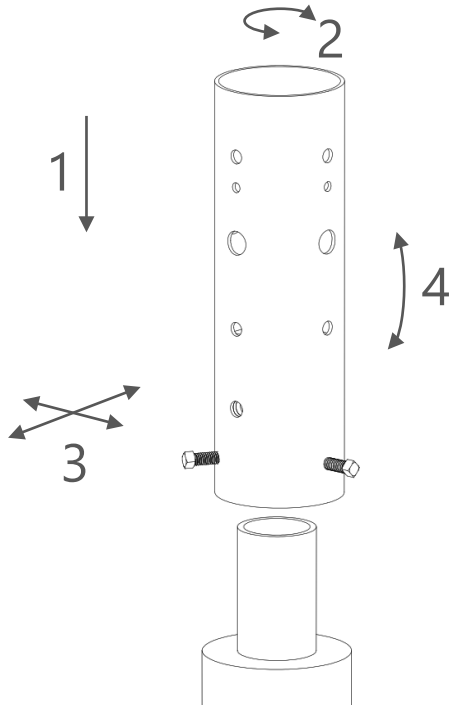


**2** Verify that pole top tennon meets OD range limits and minimum length requirement

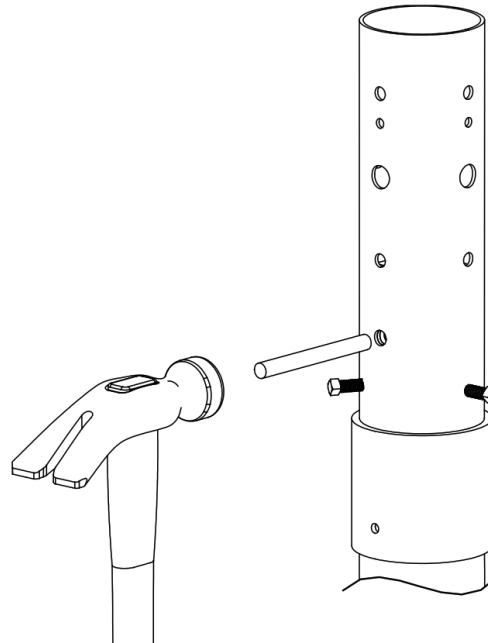


**3** Insert three (3) set screws in lower holes and screw in until flush with lower ID of PTT

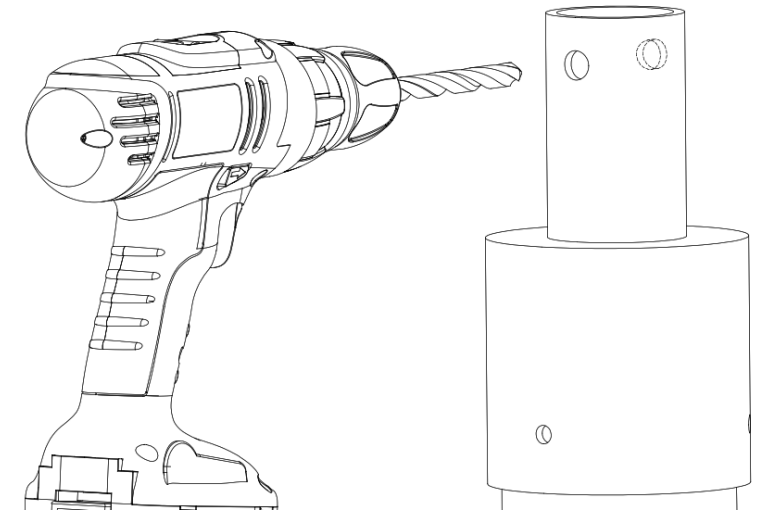
# Mounting Steps



- 4** Slip the PTT on the tennon, orient fixture holes, then center, and plumb the PTT on the tennon and lightly tighten the set screws

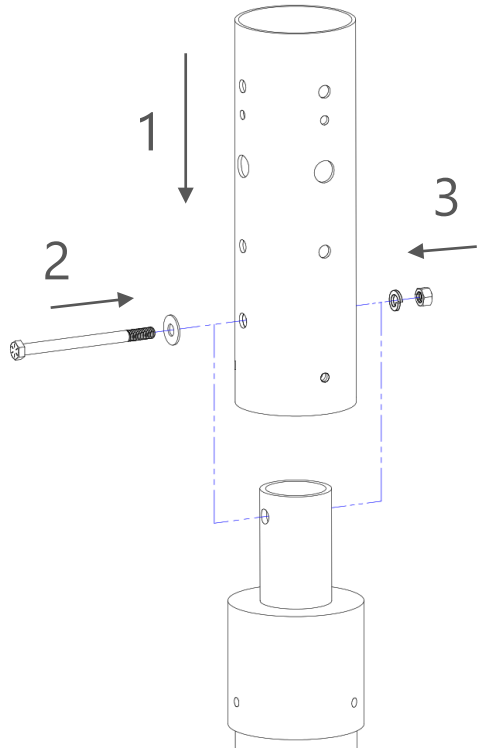


- 5** Transfer punch the thru bolt clearance hole positions to the tennon on each side, loosen the set screws and remove the PTT

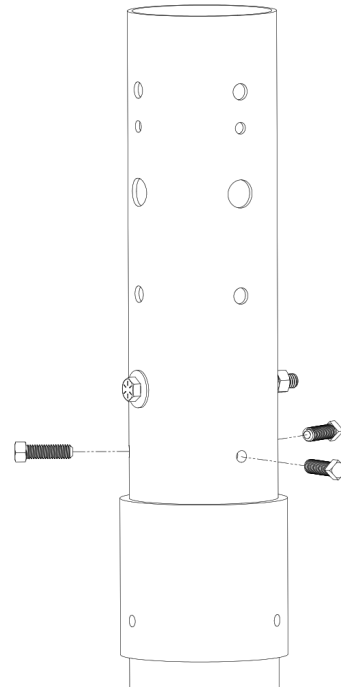


- 6** Center-drill each hole position and then drill a 0.5" diameter thru-hole at on each side of the tennon. Deburr the interior surface to avoid wire insulation damage

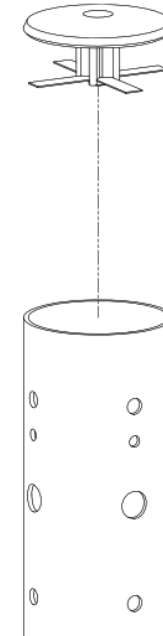
# Mounting Steps



- 7** Place the PTT on the tennon and loosely fasten the thru-bolt, washers, and nut



- 8** Finger tighten the set screws, check alignment and then torque set screws and thru-bolt to 10-12 ft·lb



- 9** Insert cover cap after fixture installation and wiring is complete

# Contact

---



© 2020 Current Lighting Solutions, LLC. All rights reserved. GE and the GE monogram are trademarks of the General Electric Company and are used under license. Information provided is subject to change without notice. All values are design or typical values when measured under laboratory conditions.

[www.GECurrent.com](http://www.GECurrent.com) | Enovia A-1025606 Rev 1 | 99008420 (04/06/20)