

# LED Replacement Lamps

## SpectraChoice™ Type B Plug-ins



Project Name \_\_\_\_\_

Date \_\_\_\_\_ Type \_\_\_\_\_

Notes \_\_\_\_\_

Current's SpectraChoice™ Type B Plug-in lamps with Selectable CCT provide an easy solution to leverage the low energy and long life of LED. The existing fixture is wired to bypass the ballast, which further reduces energy use and eliminates the need to check ballast compatibility.



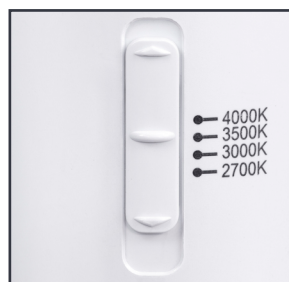
## SpectraChoice™

### PERFORMANCE HIGHLIGHTS:

SpectraChoice™ Type B Plug-in Lamps	
<b>Light Output Range:</b>	1000-1100 Lumens
<b>CRI:</b>	80
<b>Selectable CCT:</b>	2700K, 3000K, 3500K & 4000K
<b>Input Voltage:</b>	120-347
<b>Efficiency:</b>	Up to 105 LPW
<b>Wattage:</b>	10.5W
<b>Life:</b>	50,000 hours L70
<b>Temperature Rating:</b>	-20°C to 40°C
<b>Location Rating:</b>	Damp

### LIMITED WARRANTY

5 years



Select color temperature using built-in switch.

### FEATURES:

- Select color temperature with built-in switch, no tool required
- Fits in 2-pin G24d and 4-pin G24q/GX24q sockets
- Operates from 120-347VAC input voltage (ballast bypass)
- Directional light output for improved fixture efficiency
- Lasts up to 4x longer than CFL
- These lamps are energy efficient, contain no lead or mercury and are compliant with material restriction requirements of RoHS

### BENEFITS:

#### Energy + Cost Savings

- For example, using only 10.5 watts of energy, save over \$90 in energy costs over the rated life of the lamp versus a standard 26-watt compact fluorescent lamp operated on a ballast based on \$0.11 per kWh
- One lamp can replace many, greatly reducing inventory
- Use one lamp for applications requiring different CCTs, simplifying project management by streamlining BOMs
- Match color temperature across space with flip of a switch
- Eliminates the need for ballasts

### LEARN MORE:

To learn more about saving money and energy, go to [www.LED.com](http://www.LED.com).



## Selectable LED Lamps

### Do MORE with less.

- **Reduce Inventory** Lower SKU counts and inventory dollars
- **Simplify Projects** Streamline BOMs while maintaining rebates
- **Optimize Solutions** Create flexibility for installers to react on-site

# LED Replacement Lamps

## SpectraChoice™ Type B Plug-ins

Project Name \_\_\_\_\_

Date \_\_\_\_\_ Type \_\_\_\_\_

Notes \_\_\_\_\_

### SpectraChoice™ Type B Plug-in Lamps

Base Type	Watts	Order Code	Description	Volts	Case Qty <sup>2</sup>	MOL (in)	MOD (in)	Lumens (Initial) <sup>5</sup>	Selectable Color Temp.*	CRI	Wattage Replacement	Rated Life L70 (Hrs) <sup>1</sup>	Dimmable	DLC <sup>4</sup>	Location Rating <sup>3</sup>	Additional Information
<b>Horizontal 2-pin Type B</b>																
G24	10.5	93300087	LED11BG24-H/8SC/120-347-4PK	120-347	24	6.4	1.9	1000	2700	80	13/18/26	50,000	-	N/A	Damp, Enclosed	Ballast Bypass, 4-pack
								1100	3000							
								1100	3500							
								1100	4000							



<b>Vertical 2-pin Type B</b>																
G24	10.5	93300088	LED11BG24-V/8SC/120-347-4PK	120-347	24	5.9	3.1	1000	2700	80	13/18/26	50,000	-	N/A	Damp, Enclosed	Ballast Bypass, 4-pack
								1100	3000							
								1100	3500							
								1100	4000							



Information provided is subject to change without notice. Please verify all details with Current. All values are design or typical values when measured under laboratory conditions, and Current makes no warranty or guarantee, expressed or implied, that such performance will be obtained under end-use conditions.

<sup>1</sup> The life rating is based on the hours of operation the lamp will provide before reaching 70% of its original lumen output (L70)

<sup>2</sup> Minimum order quantity from Current = Case Qty; Smaller unit of sale pack inside case

<sup>3</sup> UL 1993 Environmental Requirements for LED LAMPS

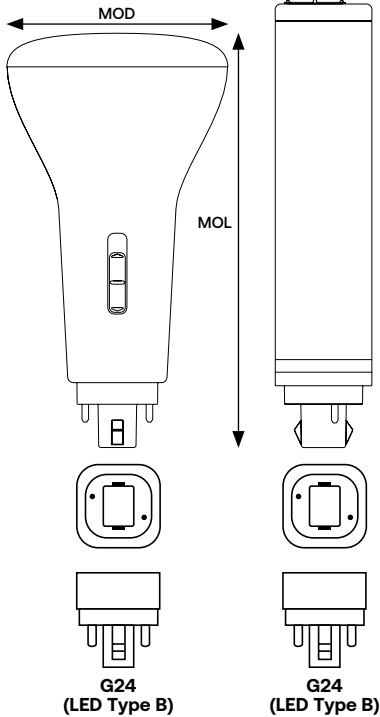
<sup>4</sup> Damp Location – Exterior or interior location that is normally or periodically subject to condensation of moisture in, on, or adjacent to electrical equipment, including partially protected locations

<sup>5</sup> DLC\* does not have a category for two-pin plug-in lamps.

<sup>6</sup> Lumen levels correspond with color temperature.

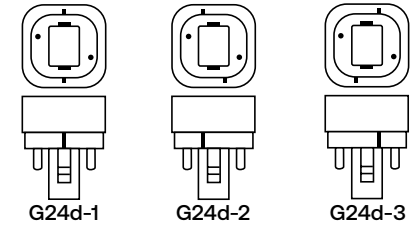
\* Default color temperature setting is 4000K.

#### LED G24 2-pin Base

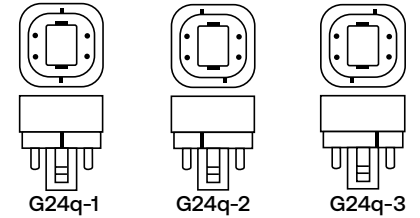


Works in  
2-pin G24d  
& 4-pin  
G24q/GX24q  
Sockets

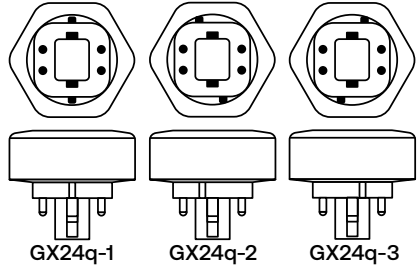
#### Compact Fluorescent G24d 2-pin Bases



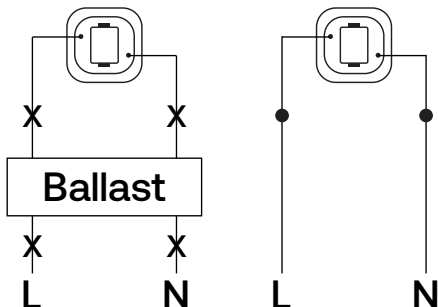
#### Compact Fluorescent G24q 4-pin Bases



#### Compact Fluorescent GX24q 4-pin Bases



#### Wiring Diagram for G24d 2-pin Sockets



#### Wiring Diagram for G24q/GX24q 4-pin Sockets

