

Proline® LEX Series

LEX Exit Sign



BEFORE YOU BEGIN

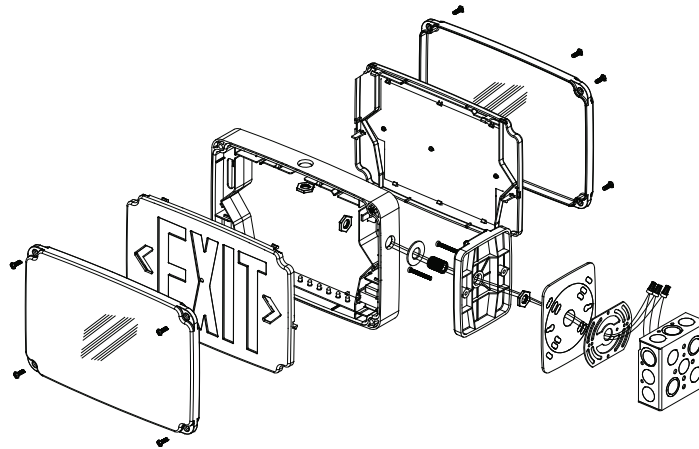
- **READ AND FOLLOW ALL SAFETY INSTRUCTIONS!**
- RISK OF ELECTRIC SHOCK—NEVER CONNECT TO, DISCONNECT FROM, OR SERVICE WHILE EQUIPMENT IS ENERGIZED.
- FAILURE TO FOLLOW THESE INSTRUCTIONS AND WARNINGS MAY RESULT IN DEATH, SERIOUS INJURY OR SIGNIFICANT PROPERTY DAMAGE—
For your protection, read and follow these warnings and instructions carefully before installing or maintaining this equipment. These instructions do not attempt to cover all installation and maintenance situations.

⚠ IMPORTANT SAFEGUARDS

- All service shall be performed by qualified service personnel. This product must be installed and maintained in accordance with the applicable installation codes by a person familiar with the construction operation of the product and hazards involved.
- This product must be installed in accordance with the applicable installation codes and ordinances.
- Before wiring to power supply, turn off electricity at fuse or circuit breaker.
- Disconnect A.C. power and unplug battery before servicing.
- Consult your local building code for approved wiring installation.
- UL listed for wet location (–20°C to 50°C).
- Do not let power supply cord touch hot surfaces.
- Do not mount near gas or electric heater.
- Equipment should be mounted in locations and at heights where it will not readily be subjected to tampering by unauthorized personnel.
- The use of accessory equipment not recommended by the manufacturer may cause unsafe condition.
- Do not use this equipment for other than intended use.
- The AC voltage rating of this equipment is specified on the product label. Do not connect equipment to any other voltage.

Save These Instructions

Deliver to owner after installation.



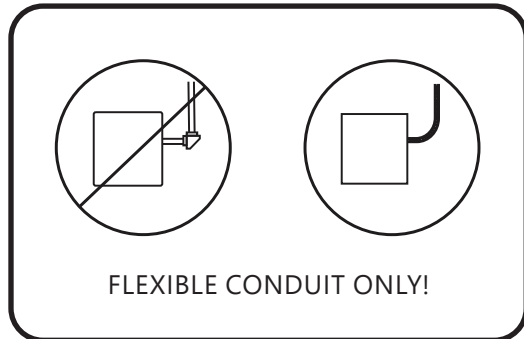
Wall Mount Installation

- ① Use flat head screwdriver to loosen the screws on the lens.
- ② Remove lens from sign, set aside.
- ③ Remove EXIT stencil from housing, set aside.
- ④ Drill or knockout appropriate knockouts on back plate to fit junction box (not provided) mounting points.
- ⑤ Drill or knockout holes in back plate for fixture supply wire leads.
- ⑥ Remove backing from self-adhesive junction box gasket and adhere to back plate.
- ⑦ Route fixture input wires through center hole of the back plate and make wiring connection. For 120V, use black and white wires and for 227V use red and white wires. Properly insulate the unused lead with a wire nut (provided) or other approved means.
- ⑧ Secure back plate to junction box. (Not included)
- ⑨ Remove proper chevron(s) from the face plate as required. When removing chevrons it may be helpful to remove the color diffuser panel to allow easier access to the chevrons. If removing color diffuser panel it is important to remember to reinstall the diffuser panel once chevron(s) have been removed.
- ⑩ Connect battery to lamp board (battery back-up models only).
- ⑪ Secure face plate to the housing.
- ⑫ Secure lens to fixture and securely torque screws.
- ⑬ Apply continuous AC power and press TEST button to check operation.

Ceiling or End Mount Installation

- ① Use flat head screwdriver to loosen the screws on the len(es).
- ② Remove lens from sign, set aside.
- ③ Remove EXIT stencil from housing, set aside.
- ④ Drill $\frac{3}{4}$ " holes through the desired mounting knockouts located on the fixture frame. For ceiling mount, knockouts will be located on the top of the fixture frame. For end mount, knockouts will be located on the side of the fixture frame.
- ⑤ Using provided hardware, thread nut onto pipe nipple. Slide pipe nipple through canopy hole.
- ⑥ Remove backing from self adhesive junction box gasket and adhere to back of mounting plate. Remove backing from self adhesive pipe thread gasket and adhere to front of mounting canopy.
- ⑦ Place screws (provided) in holes on the mounting canopy.
- ⑧ Route fixture input wires through knockout in fixture frame, pipe nut and metal mounting plate.
- ⑨ Make wiring connection. For 120V, use black and white wires and for 227V, use red and white wires. Properly insulate the unused lead with a wire nut (provided) or other approved means.
- ⑩ Push wire connections into the junction box (not included). Secure mounting plate to junction box (hardware not included).
- ⑪ Secure canopy to steel mounting plate with screws installed in step 7.
- ⑫ Place pipe nipple through the mounting hole of the fixture frame until the gasket is touching the frame. Thread a second nut onto the pipe nipple on the inside of the fixture frame to lock the canopy into place. Once canopy is locked into position there will not be any side-to-side movement of the canopy.
- ⑬ Remove proper chevron(s) as required. When removing chevrons it may be helpful to remove the color diffuser panel to allow easier access to the chevrons. If removing color diffuser panel it is important to remember to reinstall the diffuser panel once the chevron(s) have been removed.
- ⑭ Connect battery to lamp board (battery back-up models only).
- ⑮ Secure face plate to the housing.
- ⑯ Secure lens to fixture and securely torque screws.
- ⑰ Apply continuous AC power and press TEST button to check operation.

Conduit Entry



- ① Drill a $\frac{3}{4}$ " hole through the desired conduit entry knockout location on the top or side of the frame of the sign.
- ② Route the AC input conduit into housing.
- ③ All conduit connections must use UL LISTED and SUITABLE FOR WET LOCATION parts.
- ④ To finish installation of EXIT sign, reference **Wall, Ceiling** or **End Mount** instructions.

Operation (Battery Back-up)

- ① Apply AC power to the unit. The LED indicator will be RED. Plug battery into the board and the LED indicator will turn Green.
- ② After the battery has been left to charge for 2 hours, test the unit by pushing the switch. The LED indicator turns OFF and the LED board stays ON.
- ③ When the switch is released, the LED indicator will turn to GREEN and the LED board remains ON.

Maintenance

CAUTION: Always turn off AC power to the equipment before servicing. Servicing should be performed only by a qualified service technician. Use only MANUFACTURER supplied replacement parts.

BATTERY

The battery supplied with the EM model requires no maintenance. However, it should be tested periodically and replaced when it no longer operates the connected sign for the duration of a 30 second or 90 minute test. The battery supplies in this sign has a life expectancy of 5years when used in a normal ambient temperature of 72°F.

NFPA 101 (Life Safety Code) requires that all emergency lighting equipment be functionally tested every 30 days for a minimum of 30 seconds and tested annually for a full 90 minute duration. Written records of the testing are to be kept for examination by the authority having jurisdiction.

