



Lumination[®]
LED Luminaire
Track Light - LTQ Series



Complete. Innovative. Trusted.

Current Lumination®

LED Luminaire

Track Light - LTQ Series

Current's **Lumination's** Track Lights encompass a diverse offering of fixtures designed for a variety of situations and customer preferences. Architects, designers and facility managers can choose the perfect amount and color of light for each project with the added assurance of energy savings and the reliability of Current engineering. Lumination's rugged, robust fixture design is a great display of Current's attention to highest standards in quality with Current Engineers working to design the LTQ to provide high-performance solutions for demanding market needs. The optical design of the LTQ provides the best wall-wash effect for merchandise and banners. The full enclosure of this fixture is comprised of high precision die-casts providing a robust finish and quality. Finally, the LTQ also is designed with an innovative joint design that enables continuous adjustments to aim at the right spot with the right intensity.



Features:

- 2,200 – 3,900 lumens output
- High brightness LED
- 90 CRI
- 2700K, 3000K, 3500K, 4000K
- L85 @ 50,000 hours
- Phase dimming

Applications:

- Retail space
- Fashion stores



To learn more about **Current's Lumination LED Tracklight LTQ-Series**, go to: <http://products.gecurrent.com>

Lumination®

LED Luminaire

Track Light - LTQ Series



Project name _____

Date _____

Type _____

Typical Specifications: LTQ Series

LED & Optical

- **CRI:** 90
- **CCT:** 2700K, 3000K, 3500K, 4000K
- **Distribution Patterns:** Wall-wash
- **Rated Life:** L85 ≥ 50,000 Life Hours per IES TM-21.
- LM-79, LM 80 tests and reports are performed in accordance to IESNA standards.

Electrical

- **Input Voltage:** 120 VAC
- **System Power Factor:** >0.9% and THD <20%*
- **Input Frequency:** 50/60Hz

* System power factor and THD is tested and specified at 120V input and maximum load conditions.

Ratings

Standard:

- ETL Approved
- **Operating Temperature:** 10°C up to 35°C
- RoHS

Construction & Finish

- **Standard Color:** White or Black
- **Weight:** 3.6 lbs (1.64 kg)

Warranty

- **System Warranty:** 5 Years Standard

Controls

- Forward and Reverse Phase Dimming

COMPATIBLE PHASE-CUT DIMMERS & DIMMING RANGE

120VAC DIMMERS					
Mfg.	Model	Mfg.	Model	Mfg.	Model
Lutron	S-603PG	Lutron	DVELV-303P	Lutron	CT-103P
Leviton	IPI06-1LZ	Lutron	SELV-300P	Cooper	SLC03P
Leviton	6631-2	Leviton	6683-1W	Leviton	IPE04
Lutron	DVCL-153P	Leviton	6161	Lutron	MAELV-600
Lutron	DV-600P	Leviton	6633-P	Lutron	FAELV-500
Lutron	TGCL-153P	Lutron	TG-600P	Lightolier	ZP260QEW
Lutron	S-600P	Cooper	DLC03P	Cooper	DAL06P
Leviton	VPE06	Lutron	LG-600P		

Certified by:



Mounting

- Global GES Ecosystem 1 & 2 circuit
- Lytespan 1 & 2 circuit
- Lightolier Lytespan 1 & 2 circuit
- Juno/Contech 1 & 2 circuit

Housing:

- Die cast aluminum housing

Ordering Information: LTQ Series

L T Q **I D** **A** **1** **WW** **9** **P** **Q**

PRODUCT FAMILY	DRIVER TYPE	GENERATION	VOLTAGE	NOMINAL LUMENS	DISTRIBUTION	CRI	CCT	DIMMING	CONTROLS	MOUNTING	FINISH
LTQ = Lumination® Track Series	ID = Integrated Driver	A = 1st Generation	1 = 120V	27 = 2700 lm 39 = 3900 lm	WW = Wall-Wash	9 = 90 CRI	27 = 2700K 30 = 3000K 35 = 3500K 40 = 4000K	P = Phase Dimming	Q = None	J1 = Juno 1&2 circuits (compatible with Contech) G1 = Global Ecosystem (GES) 1&2 circuits L2 = Lightolier Lytespan 1&2 circuits	WHITE = White BLCK = Black

WATTAGE	LUMENS (lm)	CCT (K)	CRI
28	2200	2700	90
28	2500	3000	90
28	2500	3500	90
28	2700	4000	90
43	3400	2700	90
43	3700	3000	90
43	3700	3500	90
43	3900	4000	90

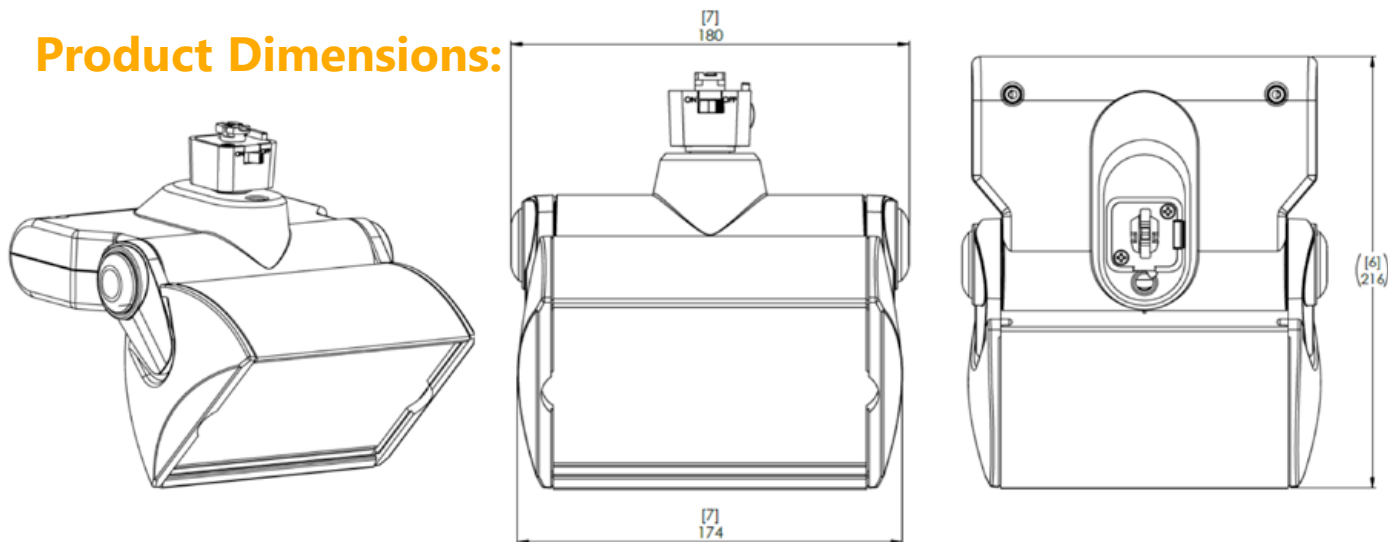
Example: LTQIDA127WW930PQJ1WHITE - 2700 typical lumens (See table to the left), 3000K CCT, 90 CRI, Wall-Wash, Phase Dimmable, White housing, Juno track adapter

Lumination®

LED Luminaire

Track Light - LTQ Series

Product Dimensions:



Photometric Data:

LTQIDA127WW930PQX1XXXX

COEFFICIENTS OF UTILIZATION																						
RC	80%				70%				50%				30%				10%				0%	
	RW	70%	50%	30%	10%	70%	50%	30%	10%	70%	50%	30%	10%	50%	30%	10%	50%	30%	10%	0%		
0	119	119	119	119	116	116	116	116	111	111	111	106	106	106	102	102	102	102	100	100		
1	111	108	104	101	109	105	102	100	101	99	96	97	95	94	94	92	91	89	89	89		
2	103	97	91	87	101	95	90	86	91	87	84	88	85	82	85	83	80	78	78	78		
3	96	87	80	75	93	85	79	74	83	77	73	80	75	72	78	74	71	69	69	69		
4	89	79	71	65	87	77	70	65	75	69	64	73	68	63	71	66	63	61	61	61		
5	82	71	63	58	80	70	63	57	68	62	57	66	61	56	65	60	56	54	54	54		
6	77	65	57	51	75	64	57	51	62	56	51	61	55	50	59	54	50	48	48	48		
7	71	59	51	46	70	59	51	46	57	50	46	56	50	45	54	49	45	43	43	43		
8	67	54	47	42	65	54	46	41	53	46	41	51	45	41	50	45	41	39	39	39		
9	63	50	43	38	61	50	43	38	49	42	37	48	42	37	47	41	37	35	35	35		
10	59	47	39	34	58	46	39	34	45	39	34	44	38	34	43	38	34	32	32	32		

Effective Floor Cavity Reflectance 0.20

ZONAL LUMEN SUMMARY	
Zone	Lumens
0-10	120.29
10-20	367.32
20-30	569.45
30-40	651.26
40-50	553.33
50-60	309.36
60-70	125.07
70-80	47.86
80-90	12.53
90-100	0.00
100-110	0.00
110-120	0.00
120-130	0.00
130-140	0.00
140-150	0.00
150-160	0.00
160-170	0.00
170-180	0.00

ZONAL LUMEN SUMMARY			
Zone	Lumens	% of Lamp	% of Fixture
0-30°	1057.06	38.40	38.30
0-40°	1708.32	62.00	62.00
0-60°	2571.01	93.30	93.30
0-90°	2756.46	100.00	100.00
0-180°	2756.46	100.00	100.00

LUMINANCE DATA (CD/SQ.M)			
Angle in Degrees	0°	45°	90°
45°	19972	21977	27509
55°	8274	10454	13802
65°	3239	3905	4941
75°	1422	1496	2029
85°	418	342	716

