

Lumination[®] LED Luminaire

LPS Series



BEFORE YOU BEGIN

Read these instructions completely and carefully.

WARNING / AVERTISSEMENT

RISK OF ELECTRIC SHOCK

- Turn power off before inspection, installation or removal.
- Properly ground electrical enclosure.

RISK OF FIRE

- Follow all NEC and local codes.
- Use only UL approved wire for input/output connections. Only use size 18 AWG.

RISQUES DE DÉCHARGES ÉLECTRIQUES

- Coupez l'alimentation avant d'inspecter, installer ou déplacer le luminaire.
- Assurez-vous de correctement mettre à la terre le boîtier d'alimentation électrique.

RISQUES D'INCENDIE

- Respectez tous les codes NEC et codes locaux.
- N'utilisez que des fils approuvés par UL pour les entrées/sorties de connexion. Taille minimum 18AWG ou 14 AWG.

Save These Instructions

Use only in the manner intended by the manufacturer.
If you have any questions, contact the manufacturer.

Tools and Components Required



Electrical Requirements

- The LED driver must be supplied with 120-277 VAC, 50/60 Hz and connected to an individual properly grounded branch circuit, protected by a 15 or 20 ampere circuit breaker. Use min. 75°C supply conductor.



Grounding Instructions

- The grounding and bonding of the overall system shall be done in accordance with National Electric Code (NEC) Article 600 and local codes.

Tools and Components Required

- M4 Phillips head screwdriver.
- M5 Hex Phillips head screwdriver.
- M5 hexagon socket wrench head screwdriver.
- UL/cUL Recognized wire connectors.
- Safety tether and fitting hook.

Provided in the Package

- Luminaire with 10' cord and hook
- Accessory Refractor - ordered separate
- Accessory Drop Lens and Clamp - ordered separate
- Accessory Male and Female Hook - ordered separate
- Accessory U-Bracket - ordered separate
- Accessory Safety Tether - ordered separate

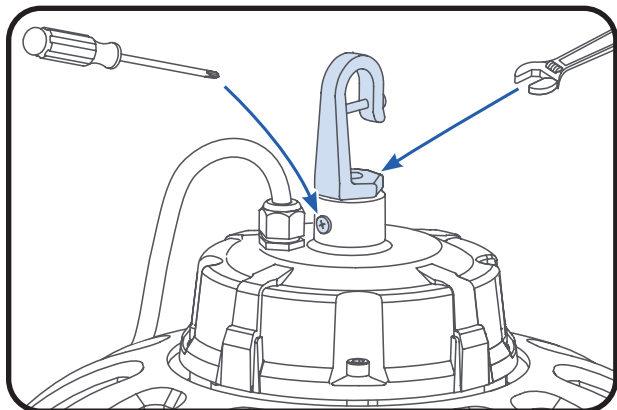
Accessory List

ACCESSORY NAME	PRODUCT CODE	DESCRIPTION
Refractor	93099795	16" High bay Moonglow™ refractor 80
Drop Lens and Clamp	93083042	16" Conical Drop Lens with Clamp
Pendant Male Hook	14686	Pendant Loop, 3/4" Male NPT
Pendant Female Hook	27414	Pendant Loop, 3/4" Female NPSC
U-Bracket	93099238	LPS U-bracket Wall Mount
Safety Tether	93099239	LPS Safety tether (0.71m/2.3ft)

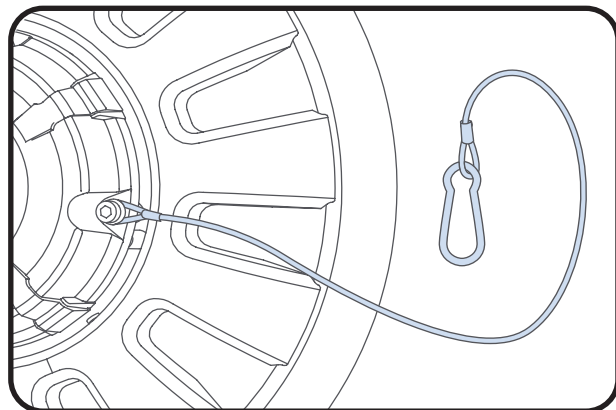
Installation of Units

- ① Carefully unpack the LPS fixture and optional refractor. Properly inspect each unit for defects before installing. Wear work gloves to prevent dirt and oil from being transferred to the luminaire.
- ② Choose an appropriate mounting method for the luminaire. Follow all UL/cUL, NEC, and minimum load rating guidelines when selecting and installing a chain or cable.

LPS FIXTURE WEIGHT		
Fixture	120-277V Version w/o accessory	120-277V Version w/ accessory
LPS0XXX	8.8lbs/4.0kg	12.1lbs/5.5kg

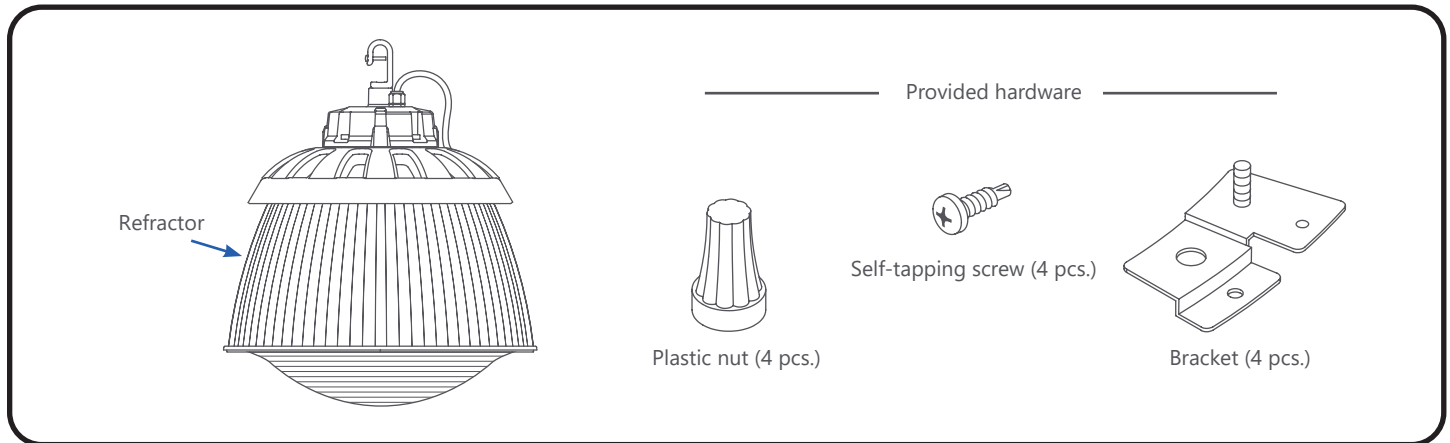


- ③ First, unfasten the M4 screw of luminaire and carefully tighten hook on the luminaire by tool. Fix anti-rotation M4 screw to secure the hook to the fixture.

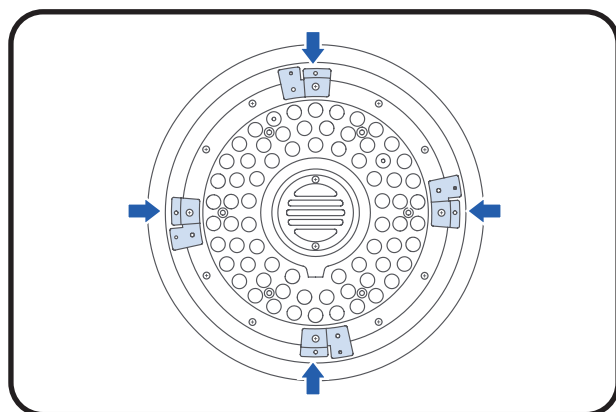


- ④ **Optional:** To install safety tether, unfasten one screw from driver enclosure and put the safety tether on the bolt. Use screwdriver to secure tether to the driver enclosure and heatsink.

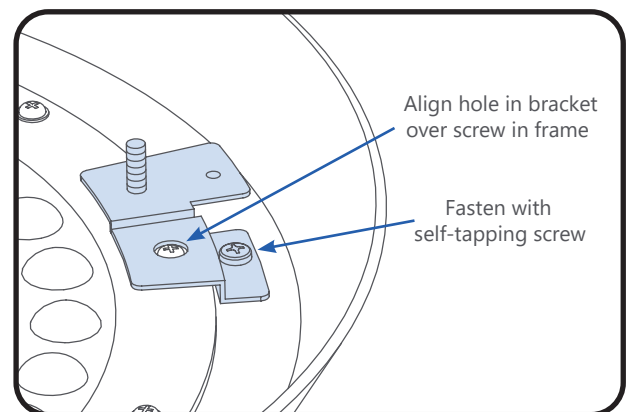
Reflector Installation (optional)



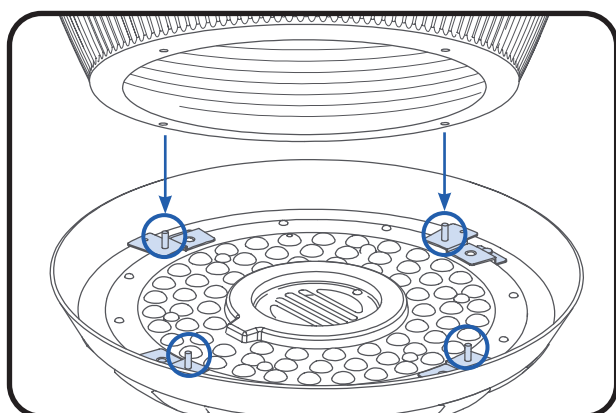
If using a reflector, attach the reflector to the luminaire using the provided lock bolts and plastic nuts. All 4 bolts must be used to secure the reflector to the reflector brackets.



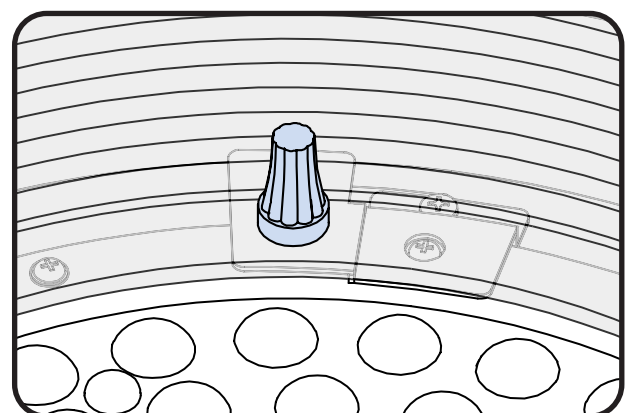
5 Arrange all four brackets around the lens frame.



6 Fasten each bracket to the lens frame with self-tapping screw



7 Align holes in reflector over the standoffs on the brackets and fit in place.



8 Secure reflector place using plastic nuts.

NOTE: Only tighten the plastic nuts by hand, avoid the nuts unfastened from luminaire by vibration

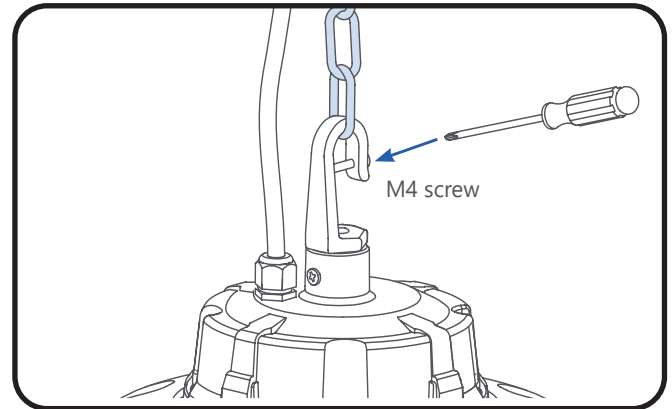
Hanging Options

Cable or Chain

Carefully connect the hanging hook on the luminaire to the selected mounting chain or cable.

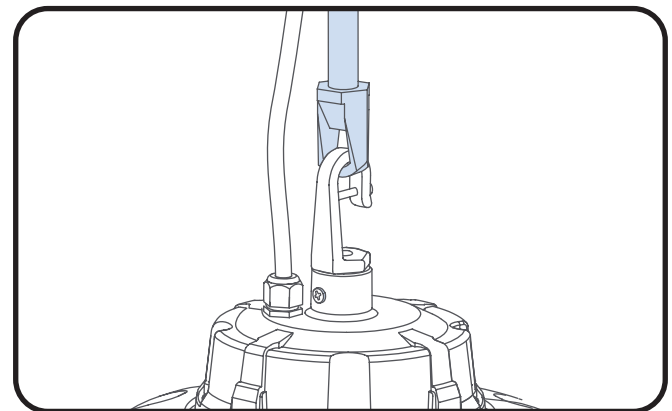
NOTE: Must ensure the structure and the suspending cable /chain are suitable for the weight of the fixture.

NOTE: Ensure M4 screw on the hook is screwed into the hook correctly.



Pendant

If mounting to a pendant solution, attach an appropriate mounting hook to the fixture ring, ensuring set screws or clips are securely in place. Attach the threaded hook end to the pendant pipe and use appropriate J-Box cover.

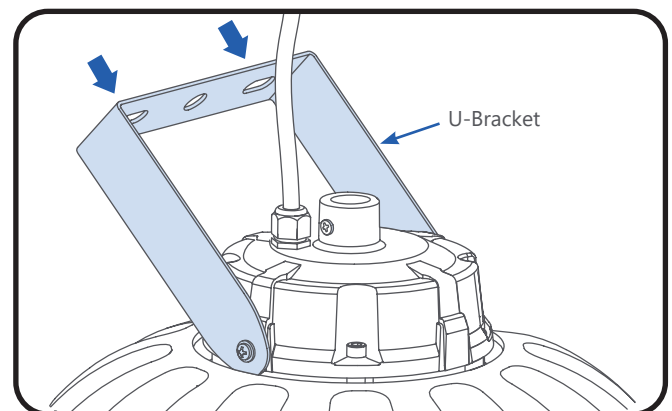


BRAND	HOOK	THREAD
Current	Pedant LOOPF	3/4" Female NPSC
Current	Pedant LOOPFM	3/4" Male NPT

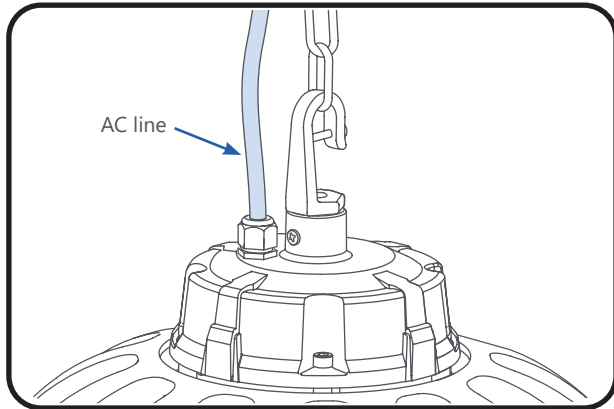
U-Bracket

If installing U-bracket wall mounting the fixture, fix the U-bracket with two bolts and washers on the side of driver enclosure. Suggest using 3/8" (M10) screw and thickness 2.0mm min washer to fix bracket on the wall.

NOTE: If changing the direction of fixture is required, loosen the M5 screws and tilt the luminaire to determined direction. If determined, use hexagon socket wrench to fix the screw tightly.



Electrical Connections

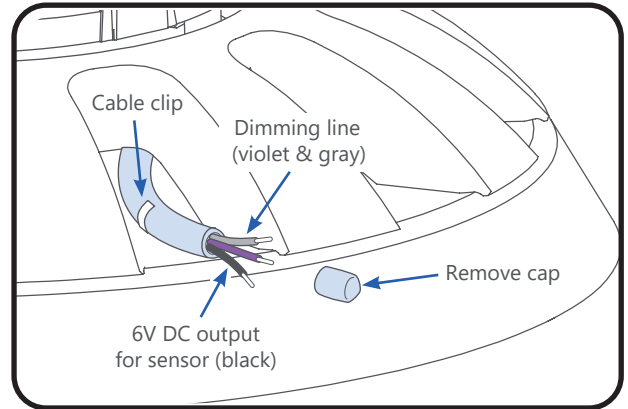


- 1 Connect the wires from the fixture following all NEC and local electrical codes. If dimming wire connection is required, pull out the dimming wire from cable clip, and carefully press back plastic cover on the heatsink.

NOTE: Prior to installation, disconnect all incoming power to the fixture.

NOTE: Must use UL and cUL listed canopy for AC line connected to branch circuit, also must seal the seam using silicone sealant between canopy and junction box, when finish the wire connection.

NOTE: Must use UL and cUL listed waterproof strain relief bushing for cable of branch circuit connection.

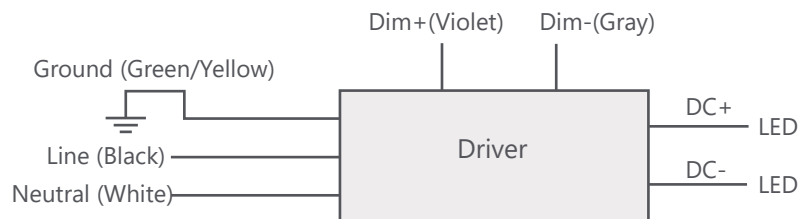


- 2 If dimming wire connection is required, pull out the dimming wire from cable clip, and carefully press back plastic cover on the heatsink.

NOTE: Must strip the cable jacket. Also need to strip off 10mm from the violet and gray wires.

NOTE: Must use waterproof connector to connect the dimming wire.

Wiring Diagram



Risk of Damage: Must use UL approved conduit fittings for all enclosure box connections to prevent wire cuts by sharp edges and excessive strain on wiring.

This device complies with Part 15 of the FCC Rules. Operation is subject to the following two conditions: (1) This device may not cause harmful interference, and (2) this device must accept any interference received, including interference that may cause undesired operation. CAN ICES-005 (A) / NMB-005 (A)

Note: This equipment has been tested and found to comply with the limits for a Class A digital device, pursuant to part 15 of the FCC Rules. These limits are designed to provide reasonable protection against harmful interference when the equipment is operated in a commercial environment. This equipment generates, uses, and can radiate radio frequency energy and, if not installed and used in accordance with the instruction manual, may cause harmful interference to radio communications. Operation of this equipment in a residential area is likely to cause harmful interference in which case the user will be required to correct the interference at his own expense.