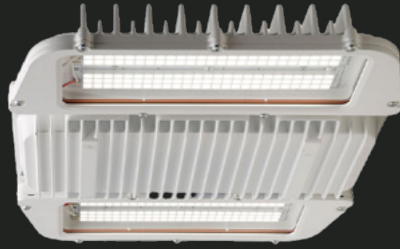


Albeo® AHH2 Series

Hazardous Location Luminaire



CUSTOMER NAME _____
 Project Name _____
 Date _____ Type _____
 Catalog Number _____

The Albeo® AHH2 LED luminaire is a Class I, Division 2, Groups A,B,C, and D rated fixture for hazardous locations with high ambient temperatures and wet applications. Utilizing a sealed, IP66-rated form factor, the Albeo AHH2 series offers customers a rugged design with exceptional performance and high reliability.

CONSTRUCTION

| | |
|-----------------------------------|--|
| Housing: | Diecast aluminum |
| Lens: | Polycarbonate or glass lens |
| Corrosion Resistant Layer: | Polyester powder coat with passivation layer |
| Paint: | White |
| Weight: | 21-49lbs (9.5-22kg) |

PERFORMANCE

| | |
|----------------------|--|
| Distribution: | 120°, 90°, 55°, 30°, Glass, Clear PC and diffused lens |
| Lumens: | 9,000-60,000 lumens |
| Efficacy: | up to 165 LPW |
| CCT: | 4000K, 5000K |
| CRI: | 70 & 80 CRI |

ELECTRICAL

| | |
|--|--|
| Input Voltage: | 120-277V, 347V, or 480V |
| Input Frequency: | 50/60 Hz |
| LED Driver Type: | Class1, 3kV/6kV surge protection |
| Power Factor (PF)*: | >90%* |
| Total Harmonic Distortion (THD)*: | <20%* |
| Surge Protection: | <ul style="list-style-type: none"> For 120-277VAC per IEEE/ANSI C62.41.-1991, 3kV/3kA Location Category B3 For 347/480VAC per IEEE/ANSI C62.41.-1991, 6kV/3kA Location Category B3 Optional for 120-480 V per IEEE/ANSI C62.41.-1991, 10kV/5kA Location Category B3 |
| EMI: | FCC CFR Title 47 Part 15, Class A |

* PF and THD may vary with options

CONTROLS

Dimming: 0-10V, 10% dimming

LUMINAIRE AMBIENT TEMPERATURE

| TYPE | TEMPERATURE RATE |
|------------------------------|--|
| OPERATING TEMPERATURE | -30°C to +65°C 48K Lumen and Below -30°C to +65°C 60K Lumen code only |

*inquire with factory on >60°C options

LUMEN MAINTENANCE

| |
|-------------------------|
| LXX(10K) @ Hours |
| 100,000 HR |
| L70 |

ADDITIONAL FEATURES

- **Typical Mounting:** Pendant mount only
- **Cord & Plug:** Not available on AHH2
- **Packaging:** Standard pack is job pack/bulk pack consisting of 7-21 fixtures in a half Gaylord box. Fixtures are sleeve wrapped within the bulk box for quick unloading at jobsite. Orders of <14 fixtures are typically single pack.

DESIGN LIFE & WARRANTY

- **Reliability Testing:** Fixture components designed to exceed 100,000 hrs of operation at the worst possible rated conditions. Complete system evaluated at extreme conditions and monitored during production.
- Please refer to the DLC QPL website for the latest and most complete information: <http://www.designlights.org/QPL>
- UL/cUL Listed, UL1598, UL8750,
- UL844 Class 1, Division 2, Groups A,B,C,D.
- UL1598A Inside Drip-proof type (Corrosive "R" Finish)
3,000hrs of ASTM B117 Salt Spray
- NEMA 4X Enclosure Type
- Current's Limited 5-year Warranty:
Please refer to document **ALB048** for more information.

Albeo® AHH2 Series

Hazardous Location Luminaire

Catalog Logic and Accessories

CUSTOMER NAME

Project Name _____

Date _____ Type _____

Catalog Number _____

Ordering Information

AHH2 **T** **QV** **23** **K** **Q** **W**

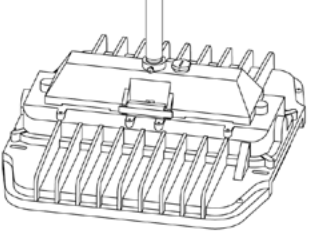
| PRODUCT ID | VOLTAGE | LUMEN OUTPUT | PERFORMANCE LEVEL | CRI/CCT | OPTICS/LENS | CONTROLS | MOUNTING | CORD | PLUG | FINISH | OPTIONS |
|---|--|--|---------------------|--|---|---------------------------------|------------------------------------|---------------------|-----------------|--|--|
| AHH2 = Albeo Highbay Hazardous Series 2 nd Gen | 0 = 120-277 1 = 120 4 = 277 D = 347 5 = 480 | 09 = 10,000 12 = 12,000 15 = 15,000 18 = 18,000 24 = 24,000 30 = 30,000 36 = 36,000 48 = 48,000 60 = 60,000 | T = Standard | 70 CRI 47 = 4000K 57 = 4000K 80 CRI 48 = 4000K 58 = 4000K | 1G = 120° Glass 9G = 90° Glass 5G = 55° Glass 3G = 30° Glass 1C = 120° Clear PC 9C = 90° Clear PC 5C = 50° Clear PC 3C = 30° Clear PC 1D = 120° Diffuse PC | QV = 0-10V Control Wires | 23 = 3/4" Pendant Mount Kit | K = Knockout | Q = None | W = White Powder Coat R = Corrosion Resistant | 1PK = Single Pack for distributor stocking. Default is job pack. 10K = 10kV Surge |

| LUMEN PACKAGE | 70 CRI @ 4000K OR 5000K CCT | | | | MAX AMBIENT TEMP (°C) | | MODULE BODY |
|---------------|-----------------------------|---------------|----------|----------------------|-----------------------|----------|-------------|
| | TYPICAL DELIVERED LUMENS | TYPICAL POWER | | TYPICAL LPW 120-277V | 120-277V | 347/480V | |
| | | 120-277V | 347/480V | | | | |
| 09 | 9,100 | 55 | 58 | 165 | 60 | 60 | 1S |
| 12 | 12,100 | 75 | 79 | 161 | 60 | 60 | 1S |
| 15 | 15,100 | 98 | 100 | 154 | 60 | 60 | 1S |
| 18 | 18,000 | 124 | 123 | 145 | 60 | 60 | 1S |
| 24 | 24,200 | 176 | 176 | 138 | 60 | 60 | 1S |
| 30 | 30,700 | 205 | 209 | 150 | 60 | 60 | 1S |
| 36 | 36,100 | 247 | 245 | 146 | 60 | 60 | 2S |
| 48 | 48,400 | 352 | 352 | 138 | 60 | 60 | 2S |
| 60 | 61,400 | 410 | 418 | 150 | 60 | 60 | 2S |

| OPTIC CODE | OPTIC DESCRIPTION | OUTPUT MULTIPLIER |
|------------|--------------------|-------------------|
| 1G | 120° Glass Lens | 100% |
| 9G | 90° Glass Lens | 97% |
| 5G | 55° Glass Lens | 94% |
| 3G | 30° Glass Lens | 94% |
| 1C | 120° Clear Lens | 97% |
| 9C | 90° Clear Lens | 94% |
| 5C | 55° Clear Lens | 91% |
| 3C | 30° Clear Lens | 92% |
| 1D | 120° Diffused Lens | 94% |

| CRI | CCT | OUTPUT MULTIPLIER |
|-------|-------|-------------------|
| 70CRI | 5000K | 100% |
| | 4000K | 100% |
| 80CRI | 5000K | 95% |
| | 4000K | 92% |

MOUNTING & ACCESSORIES

| Mounting Options | Image | Order Logic Code | Aftermarket Order |
|--|---|--|--|
| Pendant Mount Attaches to 3/4" NPT threaded conduit (conduit not included) |  | 23 = 3/4" NPT Pendant Mount Kit | W Finish: 93132322 R Finish: 93132323 |

Albeo® AHH2 Series

Hazardous Location Luminaire

Dimensions

CUSTOMER NAME

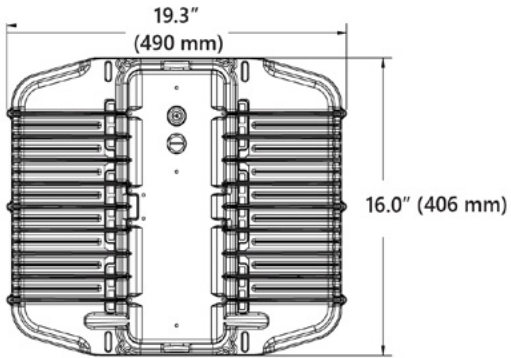
Project Name _____

Date _____ Type _____

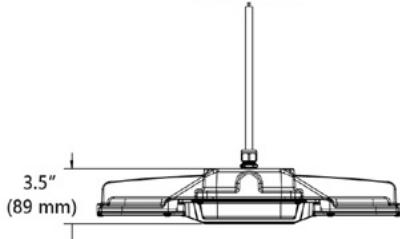
Catalog Number _____

AHH2 SERIES MODULAR FIXTURE

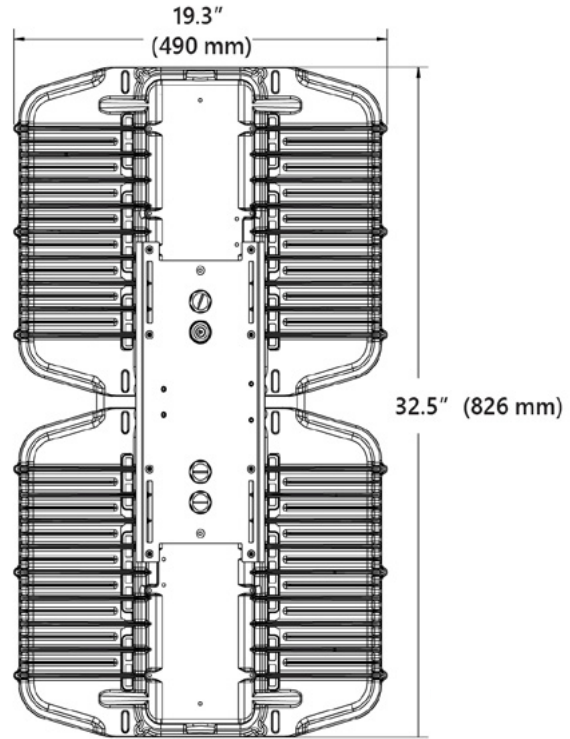
1S-Module



Side View



2S-Module



| Configuration | Max Weight |
|-------------------------|------------|
| Single Fixture 120-277V | 21 lbs max |
| Single Fixture 347-480V | 23 lbs max |
| Double Fixture 120-277V | 45 lbs max |
| Double Fixture 347/480V | 49 lbs max |

Albeo® AHH2 Series

Hazardous Location Luminaire

Photometric Data

CUSTOMER NAME _____

Project Name _____

Date _____ Type _____

Catalog Number _____

PHOTOMETRIC DATA

