

LED Replacement Lamps

Selectable Type B LED Tubes

Project Name _____

Date _____ Type _____

Notes _____

Current's Selectable Type B LED Tubes feature built-in switches to change wattage and color temperature, no tool required.



PERFORMANCE HIGHLIGHTS:

Selectable Type B T8 Replacement Lamps	
Light Output:	1,100 / 1,600 / 2,000 Lumens
CRI:	80
Selectable CCT:	3500K / 4000K / 5000K
Input Voltage:	120-277
Efficiency:	Up to 137 LPW
Selectable Wattage:	8W / 12W / 16W
Life:	70,000 hours L70
Temperature Rating:	-20°C to 45°C
Location Rating:	Damp

LIMITED WARRANTY

7 years

LEARN MORE:

To learn more about saving money and energy, go to www.LED.com.

FEATURES:

Two Options for Selectability:

- LumenChoice® + SpectraChoice™: Three wattage levels and three color temperature levels that can be adjusted with built-in switches, no tool required
- LumenChoice®: Three wattage levels that can be adjusted with built-in switch, no tool required

Safety First Built-In Protection:

- Internal safety switch provides protection for the installer
- Internal misapplication circuit provides protection if lamp is placed into ballasted fixture
- In-line fuse kit protects the installer if LFL is reinstalled in the future (optional, sold separately)

BENEFITS:

- Optimize light levels and power consumption instantly for each application, maximizing energy savings immediately
- Use one lamp for many applications, simplifying project management by streamlining BOMs
- One lamp can replace many, greatly reducing inventory
- Eliminates the need for ballasts



Selectable LED Lamps

Do MORE with less.

- **Reduce Inventory** Lower SKU counts and inventory dollars
- **Simplify Projects** Streamline BOMs while maintaining rebates
- **Optimize Solutions** Create flexibility for installers to react on-site

LED Replacement Lamps

Selectable Type B LED Tubes

Project Name _____

Date _____ Type _____

Notes _____

Selectable LumenChoice® + SpectraChoice™ LED Tube

Bulb Shape	Base Type	Selectable Watts*	Order Code	Description	Volts	Case Qty ²	MOL (in)	Selectable Lumens (Initial) ⁵	Selectable Color Temp.*	CRI	Rated Life L70 (Hrs) ¹	Power Factor	DLC ⁴	Location Rating ³	Additional Information
Ballast Bypass (Type B) - 4ft Glass Tube															
T8	G13	8	93301824	LEDLCBDT8/G4/8SC	120-277	20	48	1100	3500	80	70,000	>0.9	-	Damp	Double-Ended Power
		16						1600	4000						
		16						2000	5000						

Selectable LumenChoice® LED Tube

Bulb Shape	Base Type	Selectable Watts*	Order Code	Description	Volts	Case Qty ²	MOL (in)	Selectable Lumens (Initial) ⁵	Color Temp.	CRI	Rated Life L70 (Hrs) ¹	Power Factor	DLC ⁴	Location Rating ³	Additional Information
Ballast Bypass (Type B) - 4ft Glass Tube															
T8	G13	8	93301783	LEDLCBDT8/G4/840	120-277	20	48	1100	4000	80	70,000	>0.9	-	Damp	Double-Ended Power
		12						1600							
		16						2000							

Information provided is subject to change without notice. Please verify all details with Current. All values are design or typical values when measured under laboratory conditions, and Current makes no warranty or guarantee, expressed or implied, that such performance will be obtained under end-use conditions.

¹ The life rating is based on the hours of operation the lamp will provide before reaching 70% of its original lumen output (L70)

² Minimum order quantity from Current = Case Qty

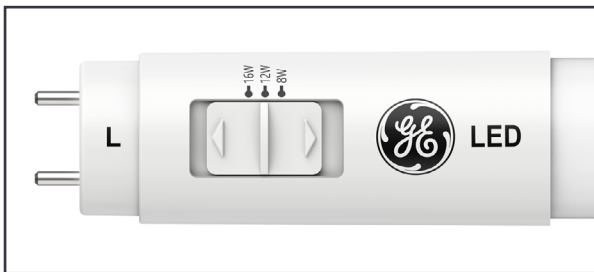
³ UL 1993 Environmental Requirements for LED LAMPS

⁴ Damp Location – Exterior or interior location that is normally or periodically subject to condensation of moisture in, on, or adjacent to electrical equipment, including partially protected locations

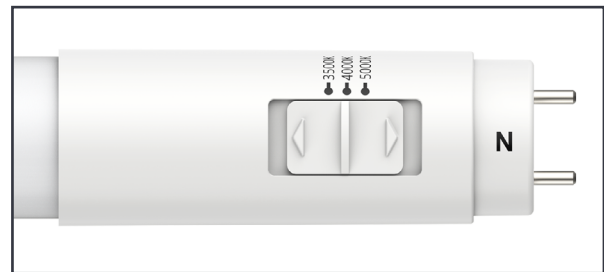
⁵ Visit qpl.designlights.org/solid-state-lighting to confirm qualification.

⁶ Lumen levels correspond with wattage levels. Color temperature levels are independent of wattage & lumens.

* Default color temperature setting is 4000K. Default wattage setting is 12W.

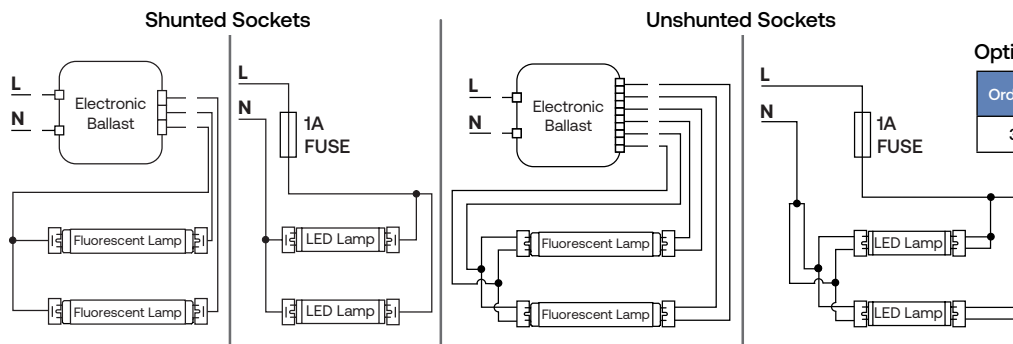


Select wattage (lumens) using built-in switch.



Select color temperature using built-in switch.

Wiring Diagrams for Double-Ended Type B LED Tubes



Optional In-Line Fuse Kit

Order Code	Description	Kit Contents
39017	BT8-1AFUSEKIT	1 Fuse (1A), 1 Fuse Holder

Power Line Dimming Option
(Contact Current for more information)

