

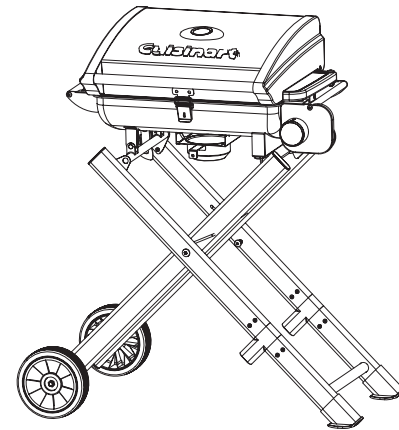
Cuisinart®

Outdoor Grilling Products

MODEL: CGG-240

Roll-Away Portable LP Gas Grill

ASSEMBLY AND OPERATING INSTRUCTIONS



⚠️ WARNING: FOR OUTDOOR USE ONLY

- ⚠️ This instruction manual contains important information necessary for the proper assembly and safe use of the appliance
- ⚠️ Read and follow all warnings and instructions before assembling and using the appliance
- ⚠️ Follow all warnings and instructions when using the appliance
- ⚠️ Keep this manual for future reference

Note to installer: Leave this Owner's Manual with the consumer after delivery and/or installation.

Note to customer: Leave this Owner's Manual in a convenient place for future reference.

⚠️ DANGER

1. Do not store or use gasoline or other flammable liquids or vapors in the vicinity of this or any other appliance.
2. An LP cylinder not connected for use shall not be stored in the vicinity of this or any other appliance.

⚠️ DANGER

If you smell gas:

1. Shut off gas to the appliance.
2. Extinguish any open flame.
3. Open lid.
4. If odor continues, keep away from the appliance and immediately call your fire department.



Failure to follow these instructions could result in fire, explosion or burn hazard, which could cause property damage, personal injury or death.

⚠️ DANGER

1. Never operate this appliance unattended.
2. Never operate this appliance within 10 feet (3.05m) of any other gas cylinder.
3. Never operate this appliance with 25 feet (7.5m) of any flammable liquid.
4. If a fire should occur, keep away from the appliance and immediately call your fire department . Do not attempt to extinguish an oil or grease fire with water.
5. Heated liquids remain at scalding temperatures long after the cooking process. Never touch cooking appliance until liquids have cooled to 115oF (45oC) or less.

Failure to follow these instructions could result in fire, explosion or burn hazard, which could cause property damage, personal injury or death.

Table of Contents

1. Warnings and Safety Instructions	3
2. Illustrated Parts List	4
3. Exploded View	5
4. Assembly Instructions	6
5. Operating Your Grill	
5.1 Select a Proper Location	11
5.2 Special Instructions for the Use of Regulator and Propane Cylinder	12
5.3 Installing the gas cylinder	12
5.4 Checking for Gas Leaks	13
5.5 Lighting Instructions	13
5.6 Match lighting	14
5.7 Using the Grill	14
6. Care and Maintenance	14
7. Frequently Asked Questions	15
8. Troubleshooting	15
9. Warranty Program and Replacement Parts	16

1. Warnings and Safety Instructions

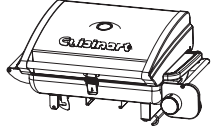
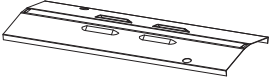
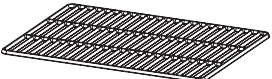
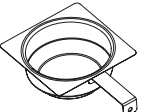

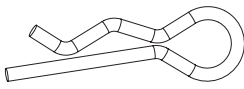

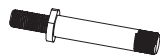

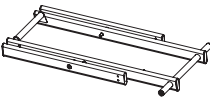
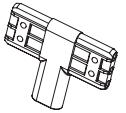
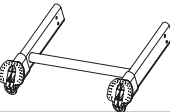
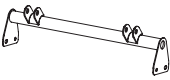
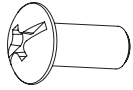
If these instructions are ignored, there is a possibility of a hazardous fire or explosion which could result in physical injury or property damage! It is your responsibility to assemble, operate and maintain your gas grill properly.

READ ALL WARNINGS AND INSTRUCTIONS PRIOR TO ASSEMBLING AND OPERATING YOUR GRILL

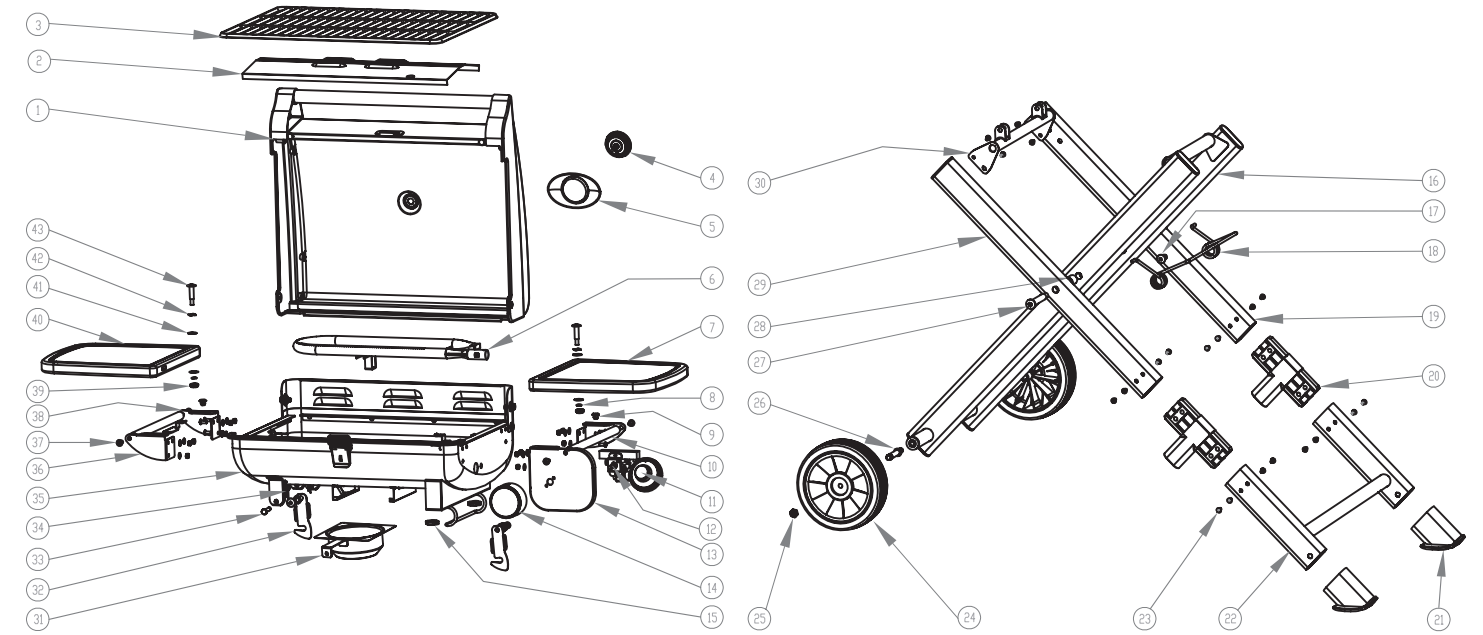
WARNINGS:

- ⚠ This grill is for outdoor use only. It should NOT be used in a building, garage or any other enclosed area.
- ⚠ The use of alcohol, prescription or non-prescription drugs may impair an individual's ability to properly assemble or safely operate this appliance.
- ⚠ Do not leave the grill unattended. Keep children and pets away from the grill all the times.
- ⚠ Do not use the grill in high wind.
- ⚠ This grill must be used with propane gas only. Liquid propane is not natural gas. The conversion or attempted use of natural gas in a liquid propane grill is dangerous and will void your warranty.
- ⚠ Do not attempt to attach this grill to the self-contained propane system of a camper, trailer, motor home or house.
- ⚠ Do not use charcoal or lighter fluid.
- ⚠ Do not use gasoline, kerosene or alcohol for lighting .The LP-gas cylinder must be constructed and marked in accordance with the specifications for propane gas cylinder of the U.S. Department of Transportation (DOT).
- ⚠ Do not attempt to move the grill when in use.
- ⚠ Do not use the grill unless it is COMPLETELY assembled and all parts are securely fastened and tightened .if there are any missing or damaged parts, contact customer service for a replacement.
- ⚠ Do not alter the grill in any manner.
- ⚠ Do not operate the grill if there is gas leak present.
- ⚠ The use and installation of this product must conform to local codes. In the absence of local codes, use the National Fuel Gas Code: ANSI Z223.1/NFPA54, Storage and Handling of Liquefied Petroleum Gases, ANSI.NFPA 58 or Natural Gas and Propane Installation Code, CSA B149.1; Propane Storage and Handling, CSA B149.2.
- ⚠ This appliance is not intended to be installed in or on a boat or recreational vehicle.
- ⚠ Locate the grill away from any combustible or non-combustible materials or construction by at least 24 inches (61cm) from the back and sides.
- ⚠ The appliance shall not be located usdunder overhead unprotected combustible construction.
- ⚠ When cooking with oil or grease, have a type BC or ABC fire extinguisher readily available.In the event of an oil or grease fire do not attempt to extinguish with water. Immediatelycall the fire department. A Type BC or ABC fire extinguisher may, in some circumstancescontain the fire.
- ⚠ The appliance shall not be located used under overhead unprotected combustible construction.
- ⚠ This appliance is not intended for and should never be used as a heater.
- ⚠ This appliance will be hot during and after use. Use insulated oven mitts or gloves for protection from hot surfaces or splatter from cooking liquids.
- ⚠ This appliance is not intended for commercial use.
- ⚠ The pressure regulator supplied with the Cuisinart Gas Grill must be used.

2. Illustrated Parts List

A.		Grill Body	1 pc
B.		Flame Tamer	1 pc
C.		Grill Grate	1 pc
D.		Drip Tray	1 pc
E.		Grill Body Connector Pins	2 pcs
F.		Connector Pin Cotter Pins	2 pcs
G.		Wheel	2 pcs
H.		Axle Bolt	2 pcs
I.		Axle Bolt Hex Nut	2 pcs
J.		Cart Leg Assembly	1 pc
K.		Bottom Leg Connector	2 pc
L.		Bottom Leg Assembly	1 pc
M.		Left Up Tube Assembly	1 pc
N.		Screw	20 pcs

3. Exploded View



1	Lid	15	Rubber Pad	30	Left Up Tube Assembly
2	Flame Tamer	16	Left Leg Assembly	31	Drip Tray
3	Cooking Grate	17	M6X15 Screw	32	Hook
4	Thermometer	18	Leg Spring	33	Grill Body Connector Pin
5	Thermometer Bezel	19	Right Leg Tube	34	Connector Pin Cotter Pin
6	Burner Assembly	20	Bottom Leg Connector	35	Firebox Assembly
7	Right Side Table	21	Foot	36	Left Handle Assembly
8	Spring Pad	22	Bottom Leg Assembly	37	M6 Screw
9	Rubber Pad	23	M5X10 Screw	38	Left Handle Support
10	Right Handle Assembly	24	Wheel	39	M6 Nut
11	Regulator	25	Axle Bolt Hex Nut	40	Left Side Table
12	Gas Valve Assembly	26	Axle Bolt	41	Plastic Washer
13	Control Panel	27	Shaft	42	Wave Washer
14	Control Knob	28	Bushing	43	Side Table Screw
		29	Right Leg Tube		

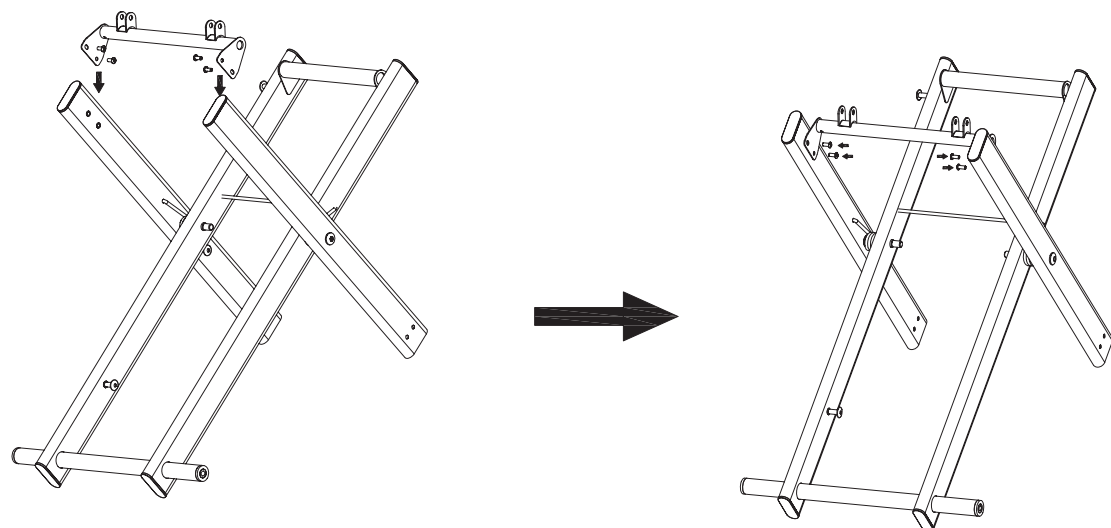
4. Assembly Instructions

Remove all contents from packaging and make sure all parts are present before attempting to assemble. Part numbers reference the tables on pages 4 and 5. Remove Grill Grate (Part C) and Flame Tamer (Part B) from inside the grill.

Step 1:

Left Up Tube Assembly

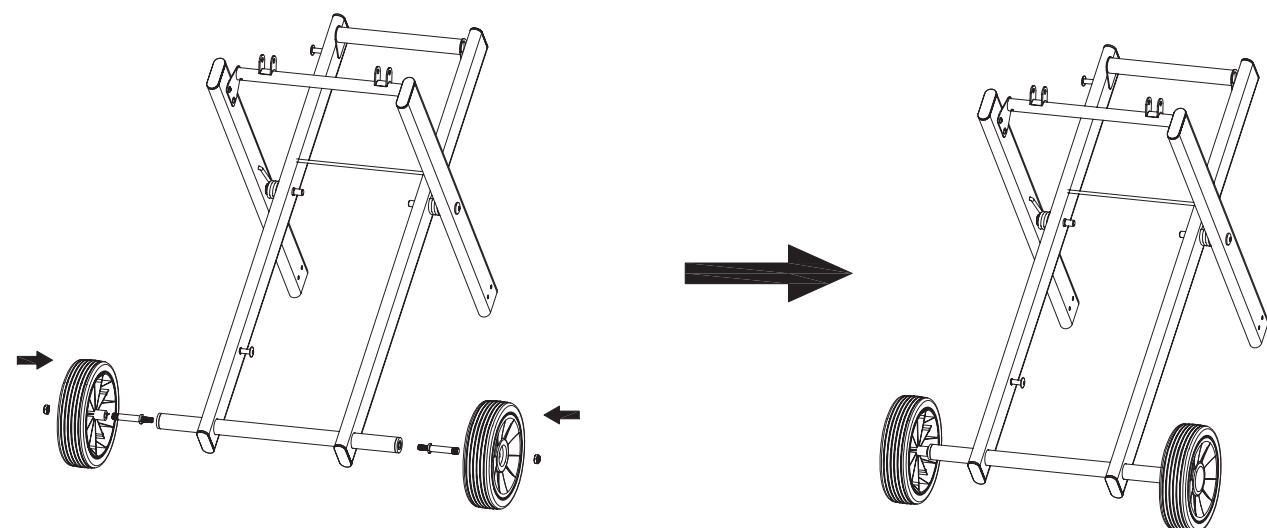
- Attach Left Up Tube Assembly (Part M) to the Cart Leg Assembly (Part J) with 4 Screws (Part N) as shown.



Step 2:

Wheel Assembly

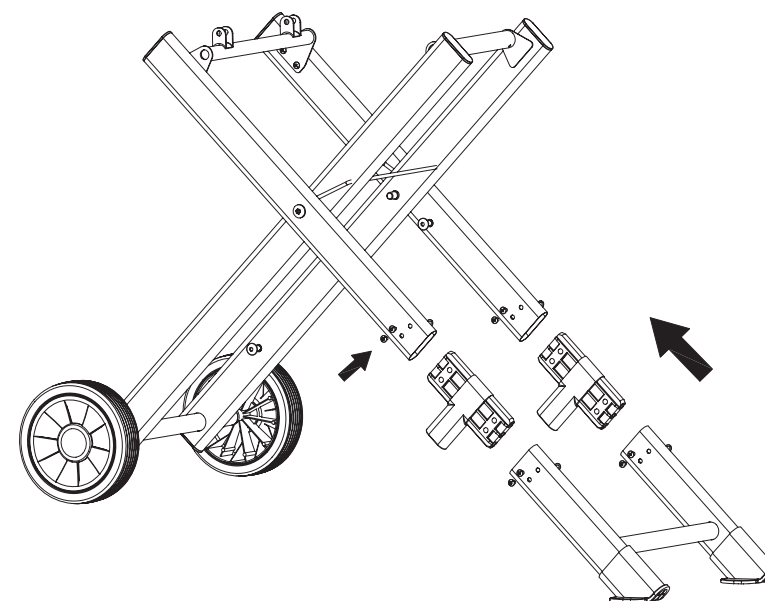
- Attach Wheel (Part G) to Cart Leg Assembly (Part J) with Axle Bolt (Part H) and Axle Bolt Hex Nut (Part I) as shown. Repeat for opposite side wheel.



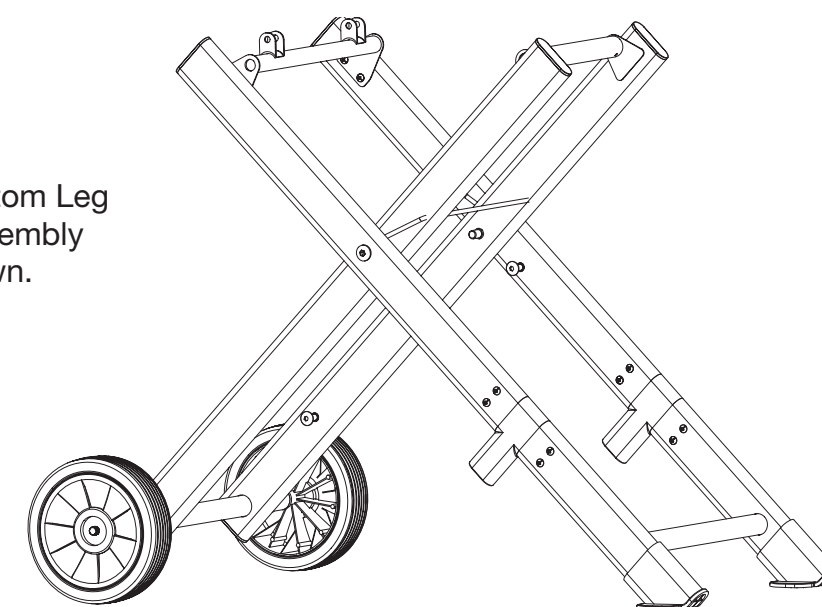
Step 3:

Leg Assembly

- Complete cart assembly by inserting Bottom Leg Connector (Part K) into Cart Leg Assembly (Part J) as shown. Repeat for both sides of Cart Leg Assembly.
- Be certain to insert Bottom Leg Connectors so that the support faces inward toward the base Wheels.



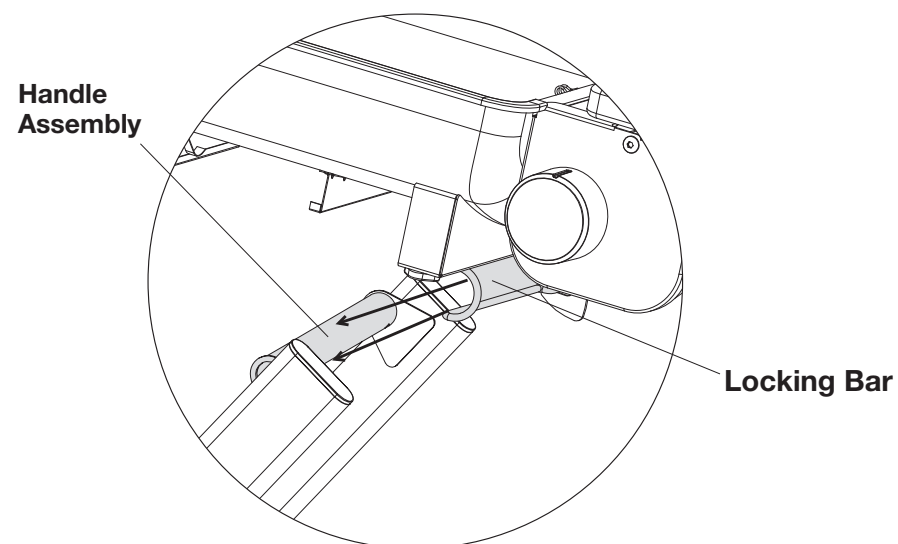
- Secure Cart Leg Assembly, Bottom Leg Connector and Bottom Leg Assembly with 16 Screws (Part N) as shown.



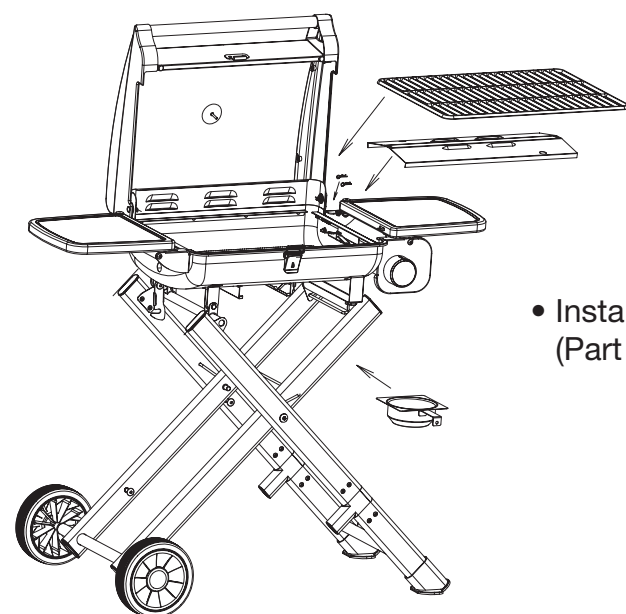
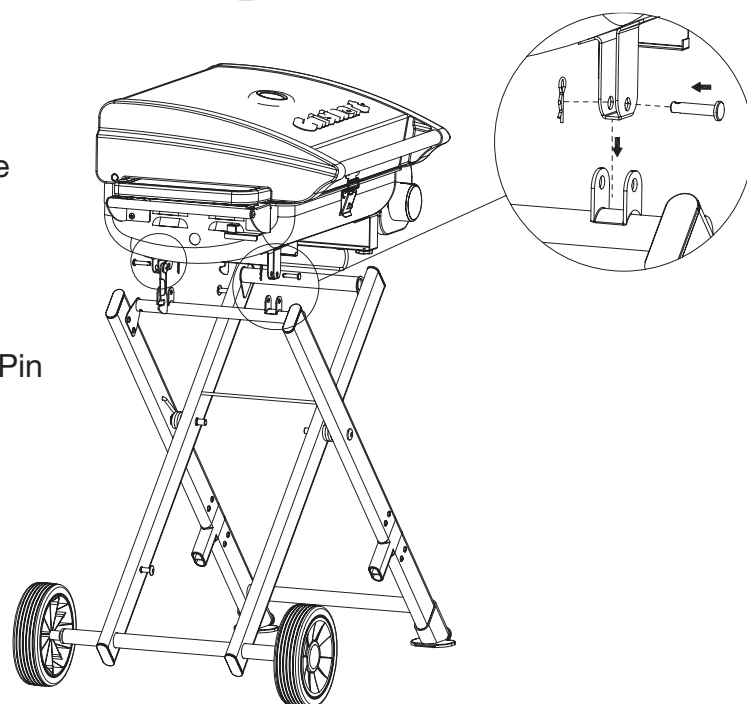
4. Assembly Instructions (cont.)

Step 4: Grill Body Assembly

- Make sure wheels and leg assembly are stable and will not slide.
- Angle Grill Body (Part A) so Locking Bar rests under Handle Assembly.



- Lower Grill Body onto Left Up Tube Assembly (Part M) as shown, aligning the brackets on the bottom of the Grill Body between the brackets on the Left Up Tube Assembly.
- Secure Grill Body using 1 Grill Body Connector Pin (Part E) and 1 Connector Pin Cotter Pin (Part F) for each bracket as shown.
- Secure Locking Latch on back right side of grill.

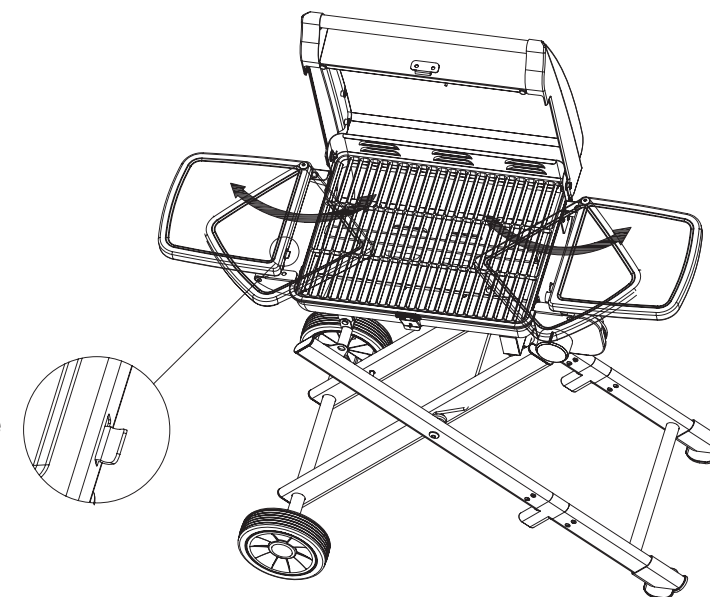


- Install Flame Tamer (Part B), Grill Grate (Part C) and Drip Tray (Part D) as shown.

Step 5:

Side Tables

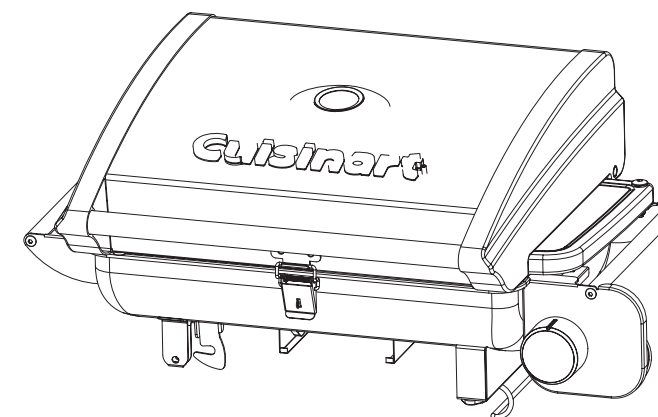
- Hide-away side shelves are designed to provide sturdy table space when the grill is in use.
- Be certain that the side tables are locked into place as shown when placing items on the side tables.
- The shelves slide inward for easy storage and transport when the grill is not in use.



Steps for Folding and Transport

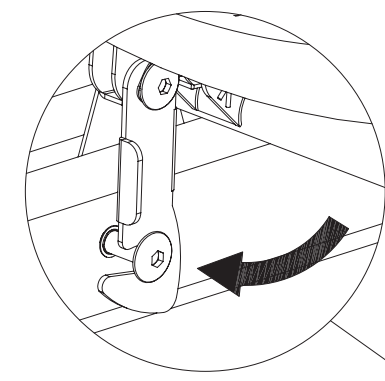
Step 1:

- Slide side shelves in and close the Grill Lid. Ensure the Front Lid Lock is secure so Grill Lid will not open during transport



Step 2:

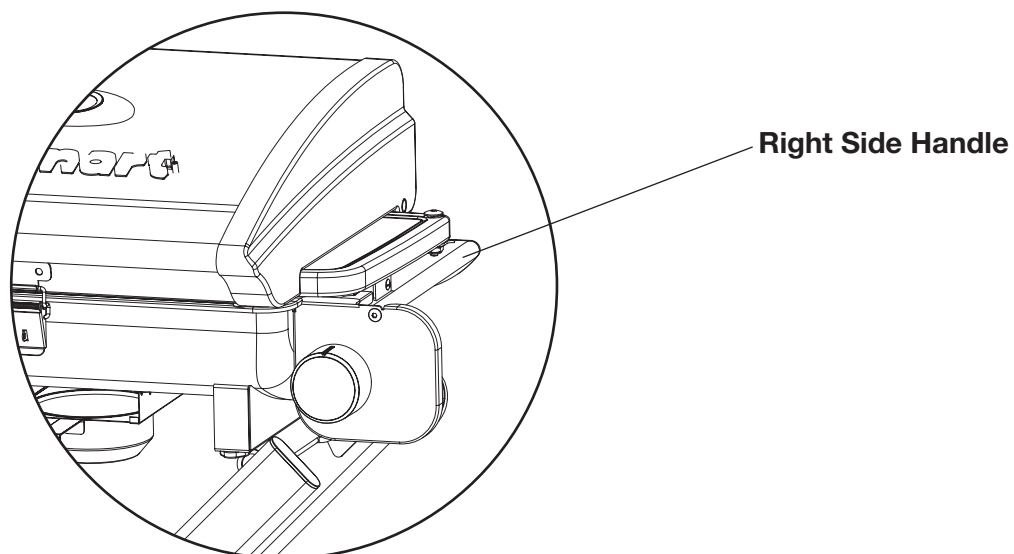
- Unlock Securing Latch on back right side of grill



Steps for Folding and Transport (cont.)

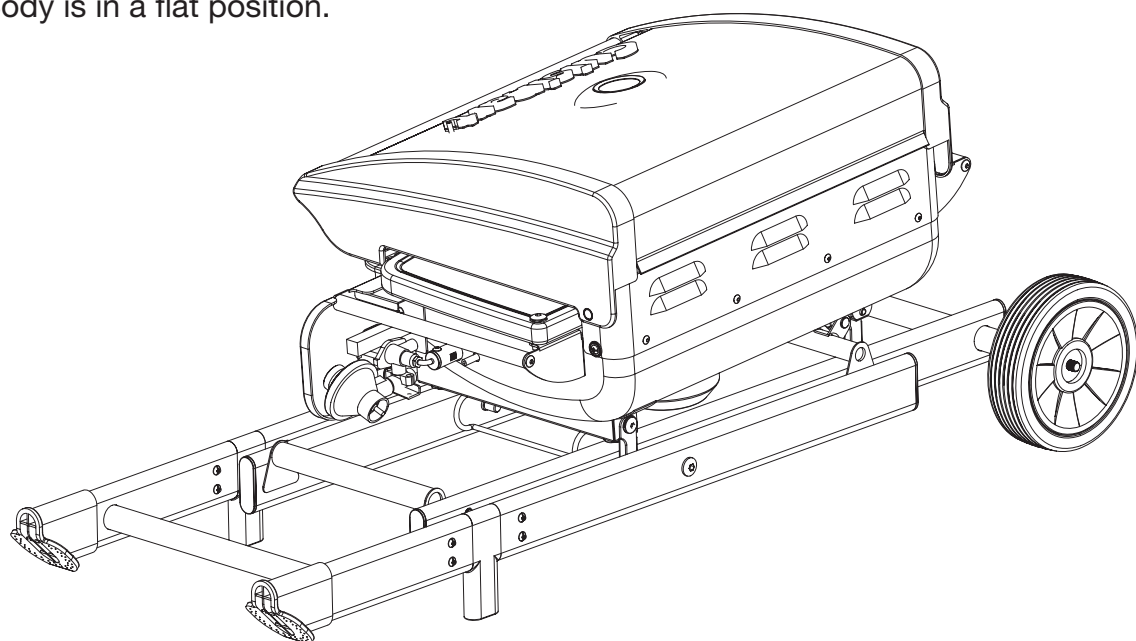
Step 3:

- Stabilize grill by placing foot on right side Bottom Leg Assembly Crossbar (Part L).
- Grab Right Side Handle and carefully lift Grill Body in upward motion so Locking Bar disengages from Handle Assembly.



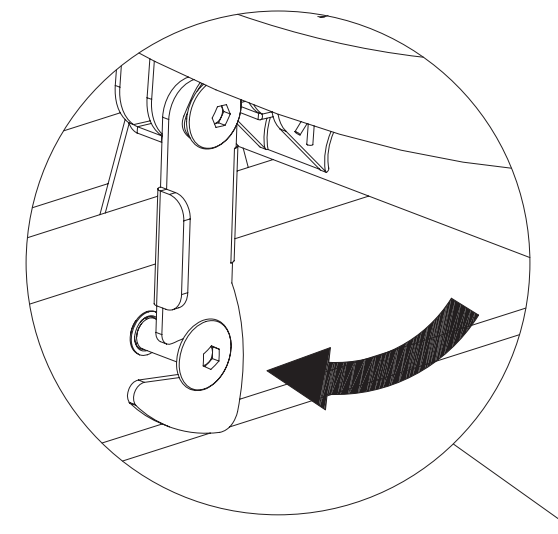
Step 4:

- Once Locking Bar is disengaged, carefully lower the grill, allowing the wheels to slide forward until the Grill Body is in a flat position.



Step 5:

- Lock Left and Right Securing Latches to the Lock Posts located behind the grill.



To return grill to Cooking Position, reverse above steps:

- Unlock Left and Right Securing Latches.
- Grab right side handle and pull up until Locking Bar engages with Handle Assembly.
- Lock Securing Latch on back right side.

5. Operating Your Grill

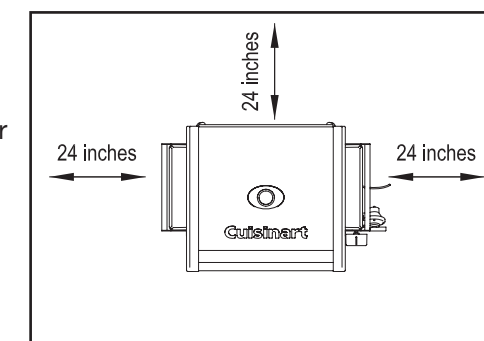
5.1 Select a proper location

Once you have assembled your new grill, find a suitable location for use.

Note: The use and installation of this product must conform to local codes. In the absence of local codes, use the National Fuel Gas Code: ANSI Z223.1/NFPA54, Storage and Handling of Liquefied Petroleum Gases, ANSI.NFPA 58 or Natural Gas and Propane Installation Code, CSA B149.1; Propane Storage and Handling, CSA B149.2.

⚠ DANGER

1. Never use this outdoor grill inside any building, garage, shed or breezeway, or inside any boat, trailer or recreational vehicle and/or boat, to prevent possible fire and to prevent the possibility of carbon monoxide poisoning or asphyxiation.
2. Always place your grill on a hard and level surface far away from combustible materials and structures.
3. Do not use this grill under overhead combustible surface or covered area (e.g., awnings, umbrellas, porches or gazebos). Keep all combustible surfaces at least 24" (61cm) away.
4. Locate the grill away from any combustible and non-combustible material or construction by at least 24 inches (61cm) from back and 24 inches (61cm) from side. (See the diagram below)
5. Never store or use gasoline or other flammable or volatile substances in the vicinity of this grill or in the vicinity of any other heat-generating appliance, because of the danger of starting a fire.
6. Do not obstructing the flow of combustion and ventilation air.



5. Operating Your Grill (cont.)

5.2 Special Instructions for the Use of Regulator and Propane Cylinder

A propane gas cylinder is required for operation. Use 1.00lbs(465g). propane cylinder.

This Cuisinart grill is equipped with a regulator having a CGA No.600 cylinder connection

- 1) Only cylinders marked "propane" must be used.
 - 2) The cylinders be disconnected when the appliances is not in use
 - 3) Do not store a spare LP-gas cylinder under or near this appliance;
 - 4) Never fill the cylinder beyond 80 percent full; and
 - 5) If the instructions in steps 3 and 4 are not followed exactly, a fire causing death or serious injury may occur.
- Propane cylinder size:D10cmXH20cm, Only cylinders marked "PROPANE" must be used.
 - The propane cylinder must be constructed and marked in accordance with the specification for LP-Gas cylinders of the U.S Department of Transportation (D.O.T) or the National standard of Canada, CAN/CSA-B339,Cylinders, spheres and Tubes for Transportation of Dangerous Goods.
 - Store spare fuel canisters in a well-ventilated area away from the grill.
 - Do not puncture or burn fuel canister.
 - If the grill is not in use, the control knob must be turned

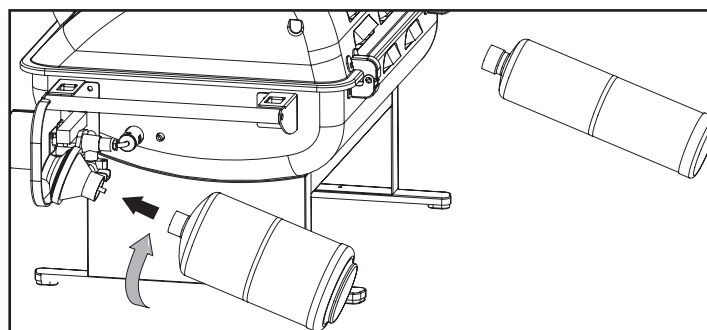
5.3 Installing the gas cylinder

(The propane gas cylinder is not provided with the appliance.)

A gas cylinder complying with the requirements listed in section 5.2 must be obtained before the grill can operate. Connect the LP cylinder to the grill outdoors only.

Read and follow all direction on the cylinder.

1. Turn the burner control knob to "OFF" position.
2. Remove the protective caps from the cylinder valve and coupling nut, if present.
3. Open grill lid and remove right side table for easier access to regulator assembly.



to the "OFF" position to shut off the gas flow from the cylinder.

REMOVAL OF THE GAS CYLINDER

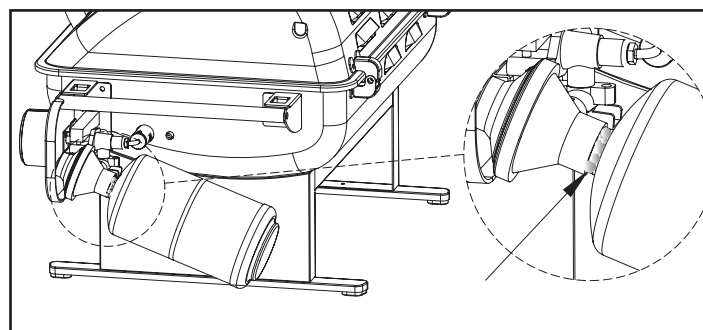
(please see the 5.3 Installing the gas cylinder) "picture"

- 1) Turn the burner control knob to "OFF" position.
 - 2) Grasp the grill handle nearest to the regulator with one hand, and turn the cylinder counterclockwise until it comes off.
- Do not store a spare propane cylinder under or near this grill. Never fill the cylinder beyond 80 percent full. If this instruction is not followed exactly, a fire causing death or serious injury may occur.
 - Save the cylinder cap and reinstall when not in use.
 - Cylinder supply system must be arranged for vapor withdrawal. Do not block the pressure relief valve during use or storage.
 - The cylinder be disconnected when the appliance is not in use.
- 1) Do not store a spare LP-gas cylinder under or near this appliance;
 - 2) Never fill the cylinder beyond 80 percent full; and
 - 3) If the instructions in steps 1 and 2 are not followed exactly, a fire causing death or serious injury may occur.

4. Grasp the grill handle nearest to the regulator with one hand, and with the other hand push the cylinder into the threaded regulator connector and turn clockwise until tight.
5. TIGHTEN BY HAND ONLY. Do not use tools.

REMOVAL OF THE GAS CYLINDER

1. Turn the burner control knob to "OFF" position.
2. Grasp the grill handle nearest to the regulator with one hand, and turn the cylinder counterclockwise until it comes off.



5.4 Checking for gas leak

⚠ DANGER

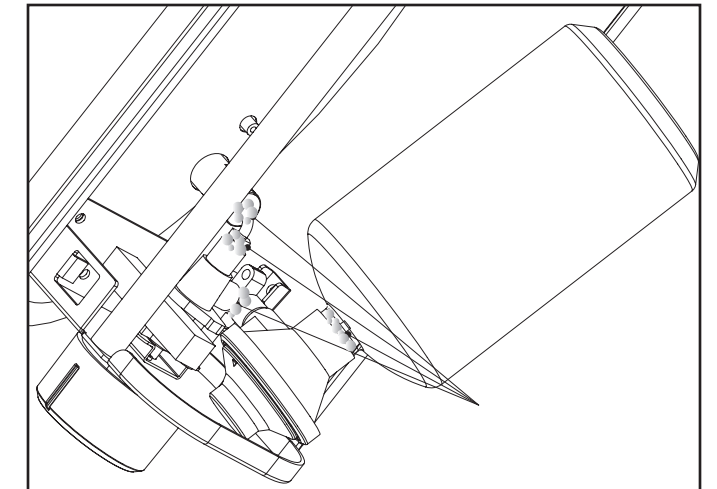
Check gas system for leaks to prevent fire or explosion hazard

1. The "Leak Check" must be performed before lighting the grill and each time the cylinder is connected for use.
2. Do not smoke or allow other sources of ignition in the area while conducting a leak test.
3. Conduct the leak test outdoors in a well-ventilated area.
4. Do not use matches, lighters or a flame to check for leaks.
5. Do not use grill until all leaks have been stopped, if you are unable to stop a leak, disconnect the propane supply, and call for gas application service or your local propane gas supplier.

Leak Check Method

1. Make 2-3 oz. of leak solution by mixing one part liquid dishwashing soap with three parts water.
2. Make sure control knob is in the "OFF" position.
3. Spray or paint some leak solution on the cylinder and regulator connection.

4. Inspect the solution at the connections, looking for bubbles. If no bubbles appear, the connection is secure.
5. If bubbles appear, a leak is detected. Go to step 6.
6. Disconnect the cylinder from the regulator, and reconnect. Make sure the connection is secure and no leak is found before using the grill.
7. If you continue to see bubbles, DO NOT USE THE GRILL. Repeat the above process with a different LP cylinder. If leaks are still present, contact the customer service center.



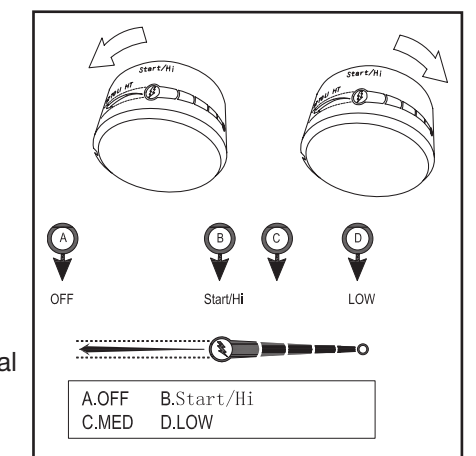
5.5 Lighting instructions

1. Read all instructions before lighting.
2. Open lid during lighting.
3. Make sure the gas control knob is in "OFF" position.
4. Push the gas control knob and quickly turn counterclockwise to "HIGH" position. The igniter will click and light the burner.
5. If ignition does not occur in 5 seconds, turn the gas control knob off, wait 5 minutes, and repeat steps 2 - 5.

*Before cooking on this grill for the first time, operate the grill for about 15 minutes with the lid closed and the gas turned on "HIGH". This will "heat clean" the internal parts and dissipate odor from the painted finish.

*Clean your grill after each use. DO NOT use abrasive or flammable cleaners, As it will damage the parts of this product and may start a fire. Clean with warm soapy water.

If the burner does not light, turn the gas control knob off and wait 5 minutes to let the gas clear before you try again. (please see the 5.3 Installing the gas cylinder)



5. Operating Your Grill (cont.)

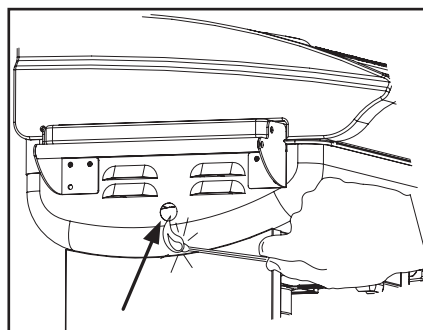
5.6 Match lighting

IMPORTANT!

A match lighting hole is located on the left side of the firebox.

Match lighting instructions:

1. Read all instructions before lighting.
2. Open lid during lighting.
3. Make sure the gas control knob is in "OFF" position.
4. Strike a long wooden match and position the burning match through the match lighting hole in the firebox bottom. Place the flame near the bottom edge of the burner.
5. Push down and turn the burner control knob counter-clockwise to the high setting.
6. The burner should light. The flame will carry around the burner. Allow grill to pre-heat with the grill lid closed for 2-3 minutes before cooking.



CAUTION:

Do not touch any hot grill parts. The outside of the grill bottom especially becomes very hot during use. Use protective gloves to handle any parts that might become hot during use.

5.7 Using the Grill

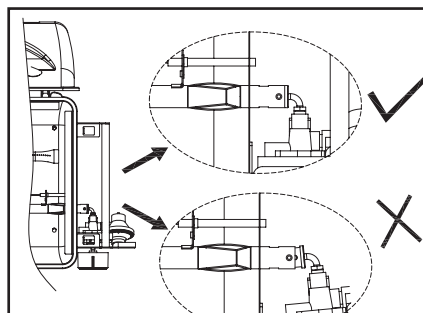
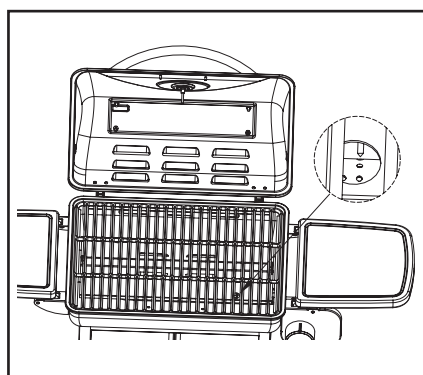
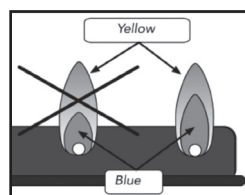
Inspect the burner flame by looking through the match lighting holes.

A good flame should be blue with some yellow tips coming from the burner holes. Yellow tips on flames up to 1/4" in height are acceptable as long as no carbon or soot deposits appear.

During operation, stand to side of grill when opening the grill lid.

Do not expose any part of your body directly above the cooking area.

The burner opening must be positioned properly over the valve orifices.



6. Care And Maintenance

6.1 Care

Regular care of your grill will help keep it operating properly. All maintenance should be done only when the grill is cool and with the fuel supply turned off. Occasionally inspect and tighten hardware that may become loose.

6.2 Cleaning The Venturi Tube

A spider's nest or wasp's mud inside the Venturi can block gas flow and can even cause a fire at the gas control valve. Such a fire can cause operator injury and serious damage to your grill.

To prevent insect related problems, inspect the Venturi tube screen cover regularly and remove any dirt.

WARNING!

Do not disassemble or alter the fuel supply system. Improper assembly can result in a hazardous condition. Seek qualified professional assistance if repairs are required.

6. Care And Maintenance (cont.)

6.3 Cleaning And Maintenance

WARNING: Do not clean any grill surface while grill is operating.

Let grill cool to a safe temperature prior to cleaning.

- Disconnect the fuel supply and remove the fuel supply cylinder prior to cleaning.
- Cleaning should be done where detergent won't harm work surface or lawn.

Exterior Cleaning

- Clean grill exterior surfaces with warm soapy water.
- Wash drip tray in warm soapy water – do not run through dishwasher.

Interior Cleaning

- Cooking grate can be cleaned with a grill brush. For best results, cooking grate should be warm (warm, not hot – never brush with grill operating, or when interior is very hot). If desired, cool cooking grate can be removed from grill and cleaned with warm soapy water.
- Should you wish to remove accumulated debris from the bottom of the fire box, proceed as follows:
 - Let grill cool completely
 - Remove cooking grate and set aside
 - Remove flame tamer and set aside !CAUTION Flame tamer edges and surface are sharp – use care when handling
 - Carefully scrape and remove debris from bottom of firebox using care not to touch burner element, igniter, or igniter wire.

WARNING: DO NOT APPLY ANY CLEANERS OR LIQUIDS TO BURNER ELEMENT OR ATTEMPT TO CLEAN IN ANY WAY.

– DO NOT USE WATER OR LIQUIDS TO CLEAN GRILL INTERIOR

- Replace flame tamer and securing screw. **CAUTION: DO NOT OPERATE GRILL WITHOUT FLAME TAMER IN PLACE.**

7. Frequently Asked Questions

• CAN I USE MY CUISINART GAS GRILL WITH NATURAL GAS?

NO. Your Cuisinart Gas Grill is intended for use only with LP (Liquid Propane) gas. Natural Gas is NOT Liquid Propane. Never use any other fuel source with your grill, as it will create a dangerous situation.

• CAN I ADD LAVA ROCKS, CERAMIC TILES, OR CHARCOAL BRIQUETTES TO MY CUISINART GAS GRILL?

NO. Your grill is not intended to operate with these items, and doing so may create an unsafe situation, and will void your warranty. You may use wood planks or a wood chip "smoker box" on top of the cooking grate surface, but nothing should go under the cooking grate.

• CAN I BUY ACCESSORIES FOR MY GRILL OVER THE PHONE?

Yes, you can call 1-800-211-9604 for assistance.

8. Troubleshooting

BURNER WON'T LIGHT (USING A 16.4OZ OR 14.1OZ LP BOTTLE)

- Be sure LP bottle still has fuel in it by gently shaking it - there will be sounds of liquid inside if fuel remains.
- Check to see that the venturi tube air inlet screen is not covered or clogged (see users manual).
- Check to see that burner orifice holes are clear. If obstructed, with gas bottle disconnected, gently brush orifice holes with a small brush.
- Check to see that igniter is producing a spark against the burner (best checked in shady spot).

If above do not solve problem, unless LP tank is new, replace with new tank and attempt lighting again.

GRILL DOESN'T REACH HIGH ENOUGH TEMPERATURE (USING LP BOTTLE)

- Be sure LP bottle still has fuel in it by gently shaking it - there will be sounds of liquid inside if fuel remains.
- Check to see that the venturi tube air inlet screen is not covered or clogged (see users manual).
- Test gas system for leaks (see users manual)

9. Warranty

This warranty covers defects in parts and workmanship for a period of 3 months from the original purchase date. Any damage claim regarding the enameling must be submitted within 30 days of purchase to be covered by the warranty.

The following conditions are NOT covered by this warranty:

- Unevenness and color variations in the enamel coating
- Damage caused by improper assembly or disregard of the manual.
- Use of spare parts not supplied by manufacturer.
- Damage resulting from modifications or inappropriate use.
- Abuse of the grill
- Damage caused by improper maintenance or repairs by an unauthorized person.

LIMITATIONS AND EXCLUSIONS:

1. This warranty applies only to the original purchaser and may not be transferred.
2. If you can not verify the purchase date of the grill the warranty period will begin on the date the grill was manufactured.
3. Replacement or repair parts are warranted for the remaining period of the original part warranty.

YOUR OBLIGATIONS:

This grill must be assembled, installed, operated and maintained in accordance with all applicable codes and the instruction manual furnished with this grill. You must keep an invoice, cancelled check or payment record to verify the purchase date of the grill.

For troubleshooting, FAQs or Customer Service, please visit us at www.cuisinartgrilling.com or contact us at 1-866-994-6390.

To order replacement grill parts or other Cuisinart Grilling products, please visit us at www.cuisinartgrilling.com or call 1-800-211-9604

Model #CGG-240

North American Distributor:

The Fulham Group

Newton, MA. 02466