

# Lumination® Assent LBR & LBT

## Recessed LED Troffers



### BEFORE YOU BEGIN

Read these instructions completely and carefully.



### WARNING/AVERTISSEMENT

#### RISK OF ELECTRIC SHOCK

- Turn power off before inspection, installation or removal.
- Properly ground electrical enclosure.

#### RISK OF FIRE

- Follow all NEC and local codes.
- Use only UL approved wire for input/output connections. Minimum size 18 AWG (0.75mm<sup>2</sup>).

#### RISQUES DE DÉCHARGES ÉLECTRIQUES

- Coupez l'alimentation avant d'inspecter, installer ou déplacer le luminaire.
- Assurez-vous de correctement mettre à la terre le boîtier d'alimentation électrique.

#### RISK OF FIRE

- Respectez tous les codes NEC et codes locaux.
- N'utilisez que des fils approuvés par UL pour les entrées/sorties de connexion. Taille minimum 18 AWG (0.75mm<sup>2</sup>).

### Save These Instructions

Use only in the manner intended by the manufacturer. If you have any questions, contact the manufacturer.

### Components Supplied

- Luminaire

### Tools and Components Required

- Slot or Philips screwdriver
- UL Listed conduit connections per NEC/CEC for nominal conduit trade sizes 1/2" or 3/4"
- UL Listed wire connectors

### Prepare Electrical Wiring



#### Electrical Requirements

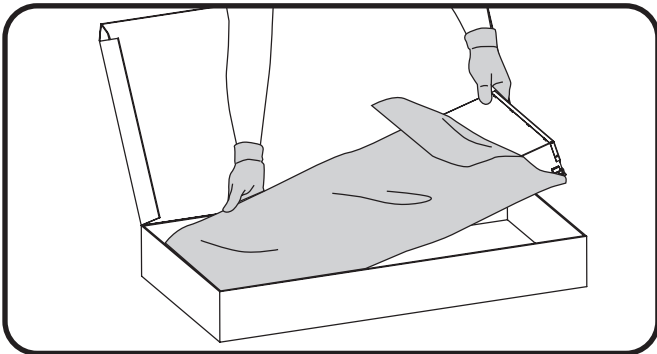
- The LED luminaire must be connected to the mains supply according to its ratings on the product label.
- Class 1 wiring should be in accordance with NEC.



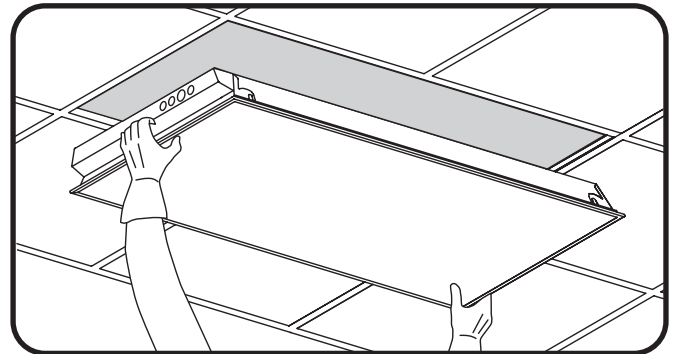
#### Grounding Instructions

- The grounding and bonding of the overall system shall be done in accordance to local electric code of the country where the luminaire is installed.

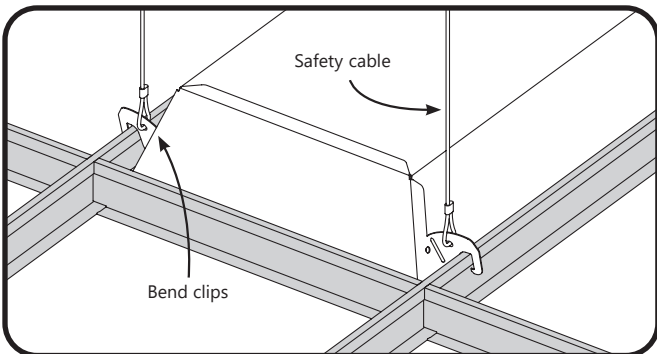
### Luminaire Installation



1 Carefully unpack unit from its packaging. Properly inspect for defects before installing. Wear work gloves to prevent dirt and oil from being transferred to the luminaire.



2 Install the unit into the reserved hole in the ceiling.



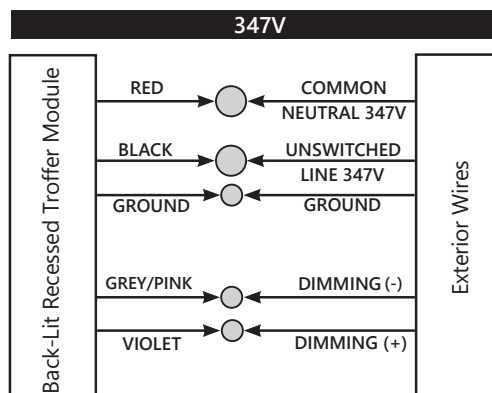
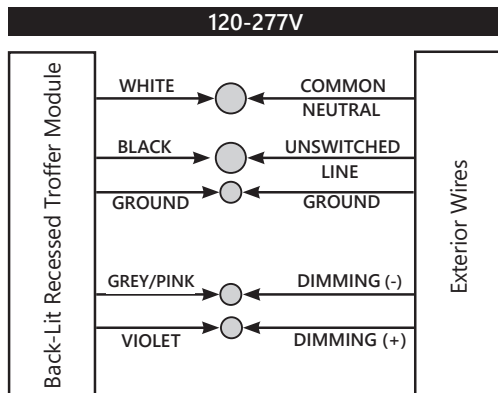
3 Bend the 4 clips to secure the luminaire in place. Install the safety cables through the holes on the clips (per local building codes, safety cables by others).

### Electrical Connections

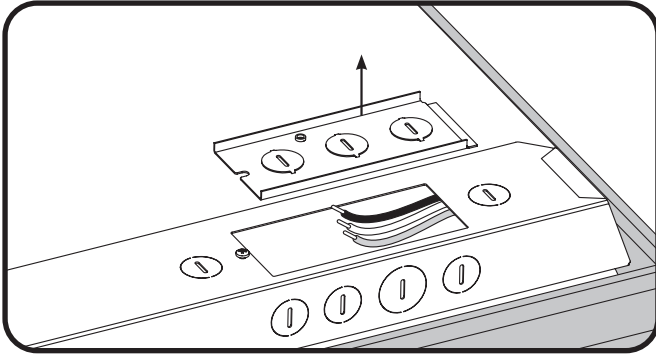


#### WARNING/AVERTISSEMENT

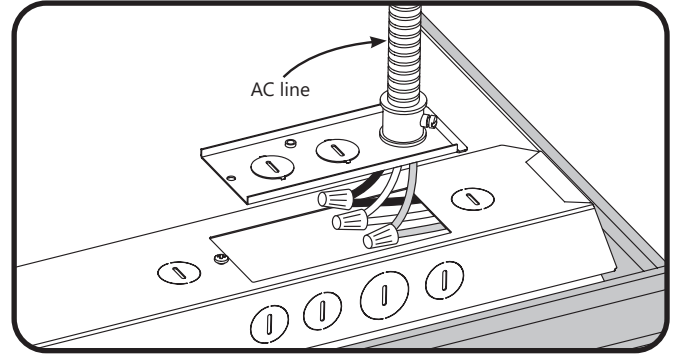
Risk of electrical shock. Disconnect power before servicing or installing product.  
 Risque de choc électrique. Couper l'alimentation avant le dépannage ou avant l'installation du produit.



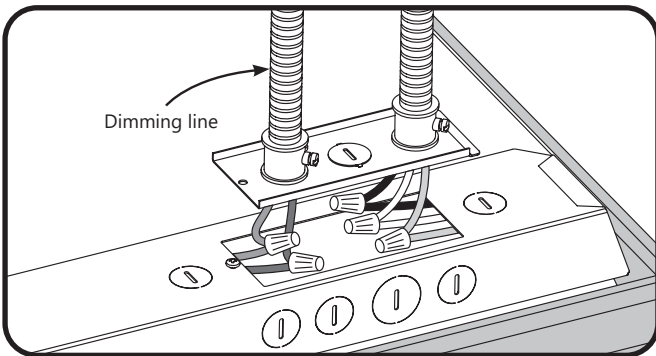
**NOTE:** Dimming leads for the VQ and V1 catlogic option are 0-10V dimming, grey/pink (-), violet (+). Dimming leads for the LE option are Lutron Ecosystem - grey/pink is E1 (-), violet is E2 (+).



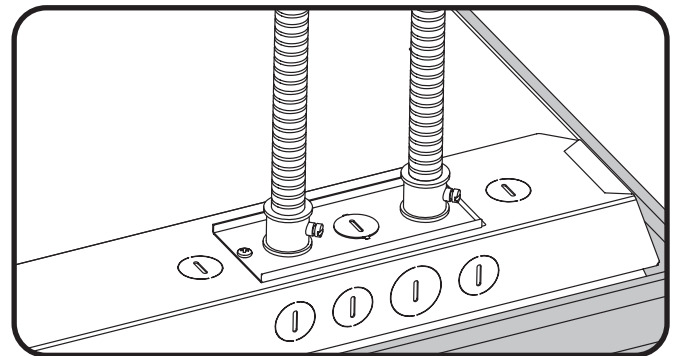
1 Remove electrical enclosure cover. Remove knockout for AC line input wires.



2 Install listed electrical fittings in the knockout holes for wire protection. Connect the AC line to the luminaire internal wires according to the wiring diagrams using 18-14AWG twist-on wire connectors.

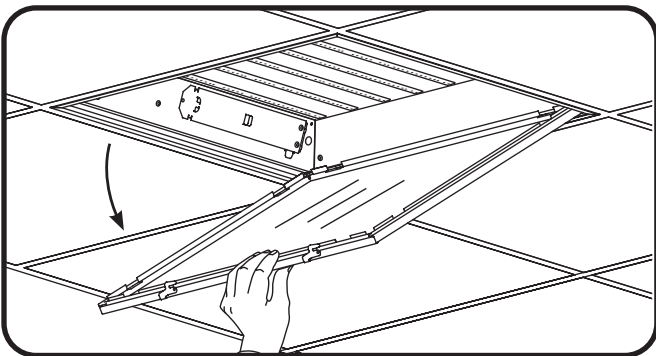


3 Install listed electrical fittings in the knockout holes for wire protection. Connect the dimming control (grey/pink and purple) wires of the LED driver using 18-14AWG twist-on wire connectors.

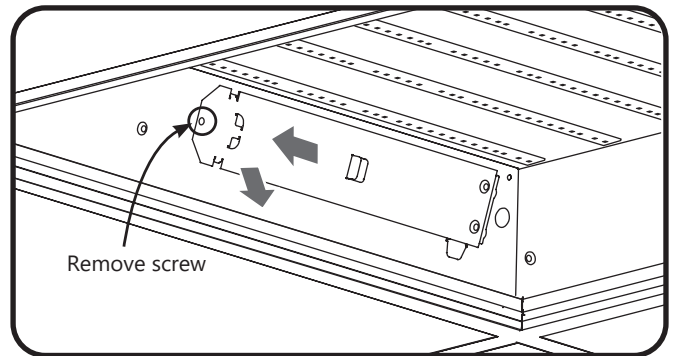


4 Replace electrical enclosure cover and secure it with the screw.

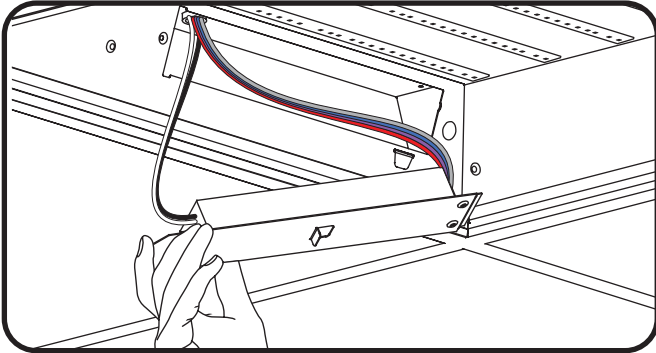
### Alternative Wiring From Below the Ceiling (for LBR Version Only)



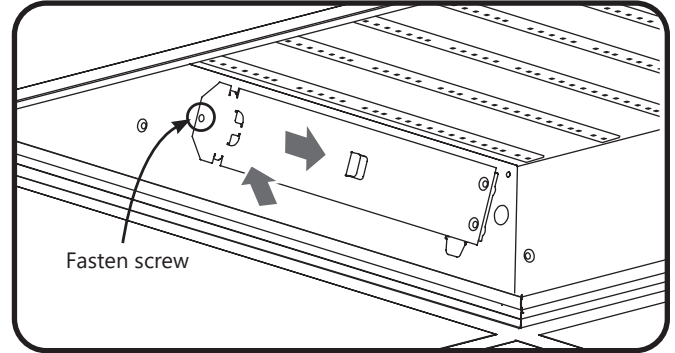
1 Swing down panel and lift off front bezel.



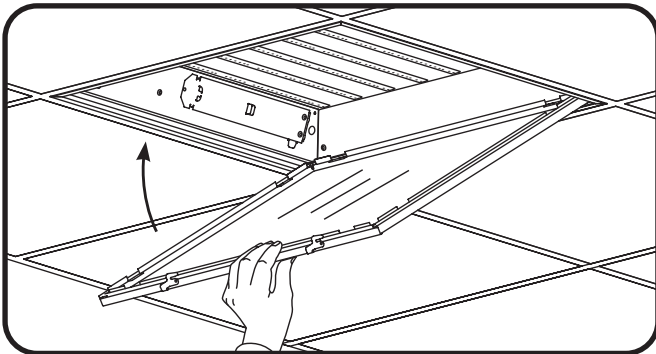
2 Unfasten screw holding driver plate. Grab tab and shift plate to the left and pull outward.



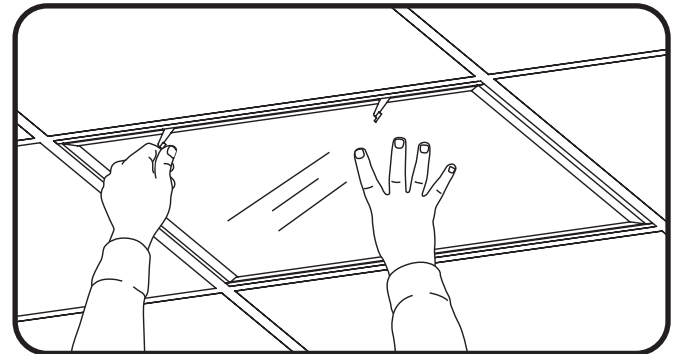
- ③ Remove driver plate. Driver is attached to cover plate and wiring is accessible when cover plate is removed. Connect the AC line to the luminaire internal wires according to the wiring diagrams using 18-14AWG twist-on wire connectors. Connect the dimming control (grey/pink and purple) wires of the LED driver using 18-14AWG twist-on wire connectors. Install listed electrical fittings in the knockout holes for wire protection as well as lead wires into the electrical cavity.



- ④ Push plate into opening and shift to the right. Fasten screw of driver plate to the housing.



- ⑤ Hang panel on its hinges and swing up into place.



- ⑥ Rotate latches to lock the front bezel.

This device complies with Part 15 of the FCC Rules. Operation is subject to the following two conditions: (1) This device may not cause harmful interference, and (2) this device must accept any interference received, including interference that may cause undesired operation. CAN ICES-005 (A) / NMB-005 (A)

**Note:** This equipment has been tested and found to comply with the limits for a Class A digital device, pursuant to part 15 of the FCC Rules. These limits are designed to provide reasonable protection against harmful interference when the equipment is operated in a commercial environment. This equipment generates, uses, and can radiate radio frequency energy and, if not installed and used in accordance with the instruction manual, may cause harmful interference to radio communications. Operation of this equipment in a residential area is likely to cause harmful interference in which case the user will be required to correct the interference at his own expense.

**Note:** CONTACT FACTORY for details and limitations when seeking to incorporate this product with an emergency system other than Battery Backup.