

# Cuisinart®

INSTRUCTION  
BOOKLET



**Heat Surround™ Electronic Toaster**

**CPT-35**

## TABLE OF CONTENTS:

Important Safeguards .....	page 2
Introduction .....	page 2
Features and Benefits .....	page 2-3
Use and Care .....	page 3
Cleaning and Maintenance .....	page 4
Warranty .....	page 4

## IMPORTANT SAFEGUARDS

When using an electrical appliance, basic safety precautions should always be taken, including the following:

- 1. READ ALL INSTRUCTIONS.**
2. Do not touch hot surfaces. Use handles or knobs.
3. To protect against electrical shock, do not place any part of the toaster in water or other liquid. See instructions for cleaning.
4. Close supervision is necessary when any appliance is used by or near children.
5. Unplug from outlet when not in use or before cleaning. Allow to cool before cleaning or handling.
6. Do not operate any appliance with a damaged cord or plug or after the appliance has malfunctioned or has been dropped or damaged in any way or if it is not operating properly. Return the toaster to the nearest Cuisinart Repair Center for examination, repair, or mechanical or electrical adjustment.
7. The use of accessory attachments not recommended by Cuisinart may cause injury.
8. Do not use outdoors.
9. Do not let cord hang over the edge of the table or countertop or touch hot surfaces.
10. Do not place toaster on or near a hot gas or electric burner or in a heated oven.
11. Do not use this toaster for other than intended purpose.
12. Oversize foods, metal foil packages and metal utensils must not be inserted in the toaster as they may create a risk of fire or electric shock.
13. A fire may occur if the toaster is covered or touching flammable materials, including curtains, draperies, AND walls, when in operation. Do not operate under wall cabinets.

14. Do not attempt to dislodge food when the toaster is plugged into electrical outlet.
15. To avoid possibility of fire, do not leave toaster unattended during use.

## SAVE THESE INSTRUCTIONS FOR HOUSEHOLD USE ONLY

### INTRODUCTION

The Cuisinart® Heat Surround™ Electronic Toaster has an extra long, extra wide slot that holds just about any bread or pastry – from the thinnest slices to the biggest, thickest cuts of your homemade favorites. Our moving heaters automatically adjust to hold your selection. Set the browning dial and you'll soon have your toast just the shade you want it – perfect toast, consistently browned top to bottom, every time!

### FEATURES AND BENEFITS

#### MODEL CPT-35

##### 1. Extra Wide Toasting Slot

Full 2 x 11-inch slot with moving heaters allows toasting of a wide variety of breads and pastries.

##### 2. Carriage Lever

Lowers bread into slot and pops up automatically at end of cycle. High rise carriage eliminates the need for extra lift lever.

##### 3. Browning Dial

Sets desired toast color from light to dark.

##### 4. Cancel Button

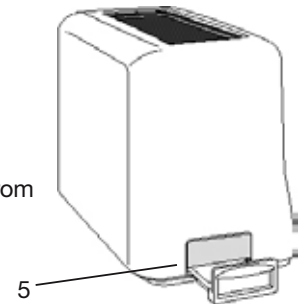
Interrupts toasting process when pressed.

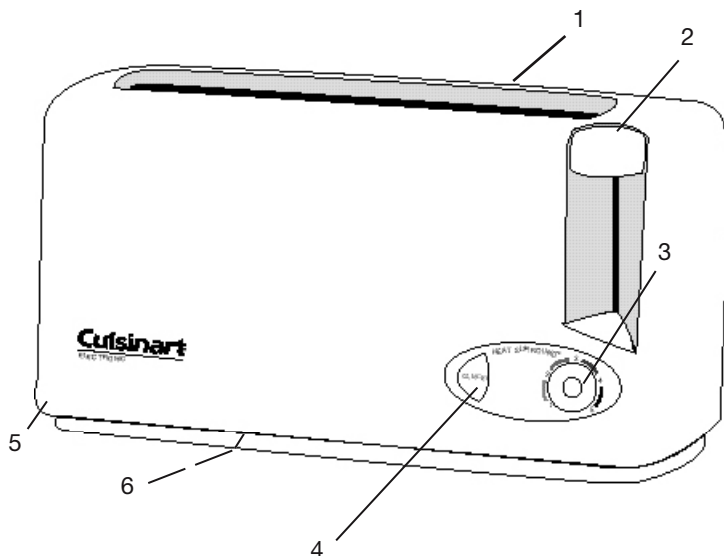
##### 5. Crumb Tray

Removes easily to clean crumbs from bottom of toaster.

##### 6. Cord Storage

Takes up excess cord and keeps countertop neat.





## USE AND CARE

Unwind the power cord. Check that the crumb tray is in place and that there is nothing in the toaster slot. Plug power cord into the wall outlet.

### 1. Insert slice(s) of bread.

Be sure that multiple slices do not overlap and that the carriage lever is in the up position.

### 2. Set the browning control.

Turn dial to the desired position:

Setting	Color
1-2	light
2-4	medium
4-5	dark

### Some notes on browning:

Toasting is a combination of drying and cooking of the bread. Therefore, differences in moisture level from one bread to another can result in varying toasting times.

- If bread is slightly dry, use a lower setting than you normally would.

- For very fresh bread or whole wheat bread, use a higher setting than normal.
- Breads with very uneven surfaces (such as English muffins) will require longer toasting time.
- Thickly cut pieces of bread (including bagels) will take longer to toast, sometimes significantly longer, since more moisture must evaporate from the bread before toasting can occur. Very thick (1-1/2" or more) pieces may require two cycles.
- When toasting raisin or other fruit breads, remove any loose raisins, etc. from the surface of the bread before placing into the toaster. This will help prevent them from falling to the bottom or sticking to the guard wires in the slot.

### Notes on specialty uses:

The following breads and pastries should be warmed by using several toasting cycles at the light setting, depending on how cold the bread is:

#### Toaster pastries:

Exercise caution with toaster pastries; the filling of toaster pastries can become quite hot long before the surface of the pastry becomes browned. A low setting (1-2) should be sufficient. Never leave toaster pastries unattended while toasting or warming.

#### Frozen waffles, pancakes, French toast:

For best results, use a few toasting cycles at a low setting (2 or 3). A longer toasting time can result in items that are toasted on the outside but cool or soggy on the inside.

#### Frozen bagels:

The slot of the Heat Surround™ can accommodate an unsliced frozen bagel. Depending on the size of the bagel, several toasting cycles on settings 2-4 will give best results.

#### 3. Begin toasting.

Press the carriage lever until it locks into the down position. The heaters will position themselves based on the thickness of the bread.

#### 4. Stop toasting.

When the toasting cycle is finished, the toast will be raised automatically. If you wish to stop the cycle before it is finished, simply: Press the 'Cancel Button' or lift the carriage lever slightly to release the bread carriage.

#### Tips:

- Never force foods into the toasting slot. Foods should fit freely between the guard wires.
- Uneven toasting is usually due to bread slices of uneven thickness.

- Never insert hard objects into the toasting slot.  
After use, unplug your toaster from the electrical outlet.

## CLEANING AND MAINTENANCE

Always allow the toaster to cool completely before cleaning.

1. Always unplug the toaster from the electrical outlet before cleaning.
2. Do not use abrasive cleaners. Simply wipe the exterior with a clean damp cloth and dry thoroughly. Apply any cleansing agent to a cloth, not to the toaster, before cleaning.
3. To remove crumbs, slide out the crumb tray and discard crumbs. Wipe clean and replace. Never operate the toaster without the crumb tray in place.
4. To remove any pieces of bread remaining in the toaster, turn the toaster upside down and gently shake. Never insert any hard or sharp instruments into the slot as this could damage the toaster and cause a safety hazard.
5. Never wrap the cord around the outside of the toaster. Use the cord storage cleats on the underside of the toaster.

## CUISINART® TOASTER 3 Year Limited Warranty:

This limited warranty is available to consumers only. You are a consumer if you own a Cuisinart® Toaster which was purchased at retail for personal, family or household use. Except as otherwise required under applicable state law, this warranty is not available to retailers or other commercial purchasers or owners. We warrant that your Cuisinart® Toaster will be free of defects in materials and workmanship under normal home use for three years from the original date of purchase. We suggest you complete and return the enclosed warranty registration card promptly. However, return of the card is not a condition of this warranty and does not eliminate the need for the consumer to maintain the original receipt of purchase.

If your unit should prove to be defective within the warranty period, we will repair or replace it at our option without charge to you. To obtain warranty service, simply send the defective product to: Cuisinart, 150 Milford Rd., E. Windsor, NJ 08520 or call toll-free 800-726-0190.

To facilitate the speed and accuracy of your return, please also enclose \$7.00 for shipping and handling of the product. CA residents need only provide proof of purchase. Please be sure to include a return address, description of the product defect, product serial number and any other information pertinent to the product's return. Please pay by check or money order.

Your Cuisinart® Toaster has been manufactured to the strictest specifications and has been designed for use with authorized Cuisinart® accessories and replacement parts. This warranty expressly excludes any defects or damages caused by accessories, replacement parts or repair service other than those which have been authorized by Cuisinart.

This limited warranty does not cover any damage caused by accident, misuse, shipment or other than ordinary household use.

This warranty excludes all incidental or consequential damages. Some states do not allow the exclusion or limitation of these damages, so these exclusions may not apply to you. All applicable implied warranties, including the implied warranty of merchantability and fitness for a particular purpose, given to you by law are hereby limited in duration to this warranty. This warranty gives you specific legal rights and you may have other rights which vary from state to state.

If you have any questions about the safety features of your Cuisinart® Toaster, please call us, toll-free, at 800-726-0190.

©2001 Cuisinart  
Cuisinart® is a registered trademark of Cuisinart  
150 Milford Road  
East Windsor, NJ 08520  
www.cuisinart.com  
Printed in Hong Kong  
CUI 01CU13155  
IB-3351A