

IMPORTANT SAFEGUARDS

READ AND FOLLOW ALL SAFETY INSTRUCTIONS

When using electrical equipment, basic safety precautions should always be followed including the following:

This equipment is designed for use with germicidal UV radiation sources and must be installed in compliance with competent technical directions to prevent risk of personal injury from UV radiation.

UV radiation can pose a risk of personal injury. Overexposure can result in damage to eyes and bare skin. To reduce the risk of overexposure this equipment must be installed in accordance with the manufacturer's site planning recommendations. This may include instructions on the relative location of each germicidal system component, the minimum distances between UV-generating devices and other objects or surfaces, and protection from line-of-sight exposure to UV radiation in occupied spaces located above the equipment mounting area (e.g. upper floor balconies, open staircases, etc.)

UV and optical radiation can be reflected by surrounding surfaces such as ceilings and walls. Since the reflective properties of surfaces can vary widely, it should be considered as part of site planning. Follow the manufacturer's recommendations for selecting appropriate ceiling and wall finishes.

IT IS THE RESPONSIBILITY OF THE INSTALLER TO ENSURE THAT PERSONS WILL NOT BE EXPOSED TO EXCESSIVE UV OR OPTICAL RADIATION DURING EQUIPMENT OPERATION. THIS WILL REQUIRE THE INSTALLER TO CONDUCT AN ASSESSMENT OF IRRADIANCE OR ILLUMINANCE LEVELS IN THE SURROUNDING OCCUPIED SPACES PRIOR TO OCCUPANCY.

Equipment should be mounted in locations and at heights where it will not readily be subjected to tampering by unauthorized personnel.

Maintenance and servicing of this UV generating equipment shall be performed by authorized personnel. Service personnel must wear appropriate Personal Protective Equipment (PPE) if the equipment will be in operation during the maintenance or servicing work. Contact the equipment manufacturer for PPE recommendations and guidance.

The use of accessory equipment not recommended by the manufacturer may cause an unsafe condition.

Do not use this equipment for other than intended use.

Devices using Current's 365DisInFx™ technology are not intended to be used as medical devices and are not registered as such under any applicable laws. They provide an added layer of protection along with masks, hygiene, and social distancing.

SAVE THESE INSTRUCTIONS

365DisInFx™ AVU Linear Lighting - UVA



Germicidal
Equipment

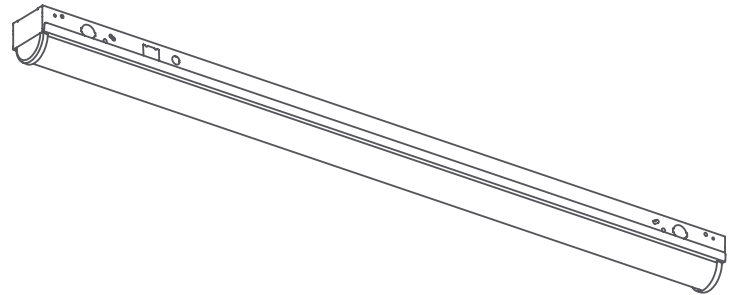


BEFORE YOU BEGIN AVANT DE COMMENCER

Read these instructions completely and carefully. Save these instructions for future use.

Installation and servicing should be performed by qualified personnel.

Lisez attentivement toutes ces instructions. Conservez ces instructions pour référence future. L'installation et l'entretien doivent être effectués par du personnel qualifié.



⚠ WARNING/AVERTISSEMENT

RISK OF ELECTRICAL SHOCK

- Turn power off before inspection, installation or removal.
- Properly ground electrical enclosure.

⚠ WARNING/AVERTISSEMENT

RISK OF FIRE

- Follow all NEC and local codes.
- Use only UL approved wire for input/output connections. Minimum size 18 AWG (0.75mm²).

⚠ CAUTION/ATTENTION

- Turn power off prior to installation; risk of UV exposure.
- Wear appropriate Personal Protective Equipment (PPE).
- When combining two or more UV solutions, whether from GE Current, a Daintree company and/or other manufacturers, please consult a trained product application representative to ensure the total irradiance (UV dose) does not exceed recommended limits for human exposure to UV per IEC 62471 Photobiological Safety for Lamps and Lamp Systems standard and American Conference of Governmental Industrial Hygienists (ACGIH®) TLVs®. To the extent UV solutions are combined, it may affect the inactivation rates.

⚠ CAUTION/ATTENTION

When combining two or more UV solutions, whether from GE Current, a Daintree company and/or other manufacturers, please consult a trained product application representative to ensure the total irradiance (UV dose) does not exceed recommended limits for human exposure to UV per IEC 62471 Photobiological Safety for Lamps and Lamp Systems standard and American Conference of Governmental Industrial Hygienists (ACGIH®) TLVs® guidelines. To the extent UV solutions are combined, it may affect the inactivation rates.

Tools and Components Required:

- AVU Series fixture
- Mounting hardware (not included)
- UL Listed wire connectors
- Wire cutters
- Appropriate Personal Protective Equipment (PPE)

Notice:

- Product must be inspected once a month to verify normal operation and confirm the device is properly secured to the ceiling per these install instructions.
- Ensure power to device/luminaire is shut off prior to performing any maintenance near or around the ceiling where the device is installed.
- For cleaning maintenance, please use dry paper towel or Air spray (no oil or chemical base) or a fabric duster to wipe down any dust that might be gathered on the fixture. Please do not touch the center LED. For further guidelines please consult guidelines from NEMA GD 4-2020.

Prepare Electrical Wiring

Electrical Requirements

- The LED luminaire must be connected to the mains supply according to its ratings on the product label.



Grounding Instructions

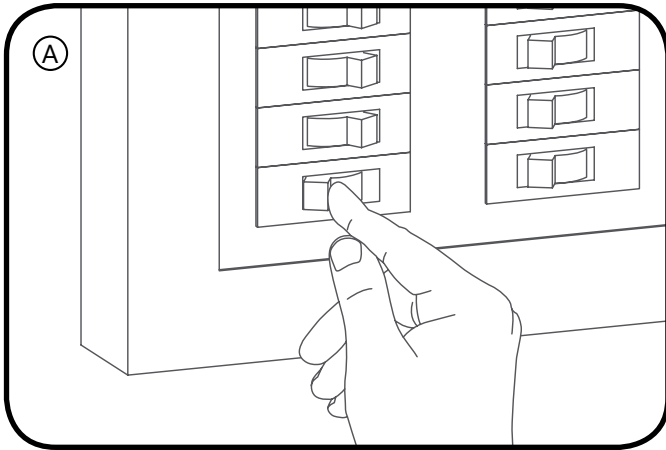
- The grounding and bonding of the overall system shall be done in accordance with National Electric Code (NEC) and local codes.



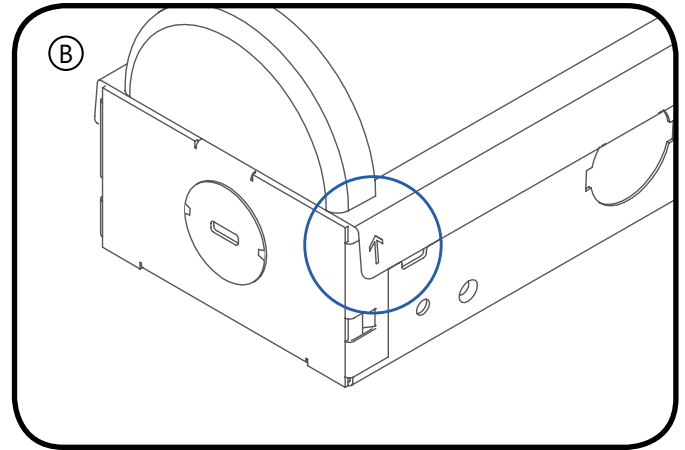
For Technical Support, Please Contact:

- By phone: **1-888-694-3533**
- By Email: **lightingproinfo@gecurrent.com**

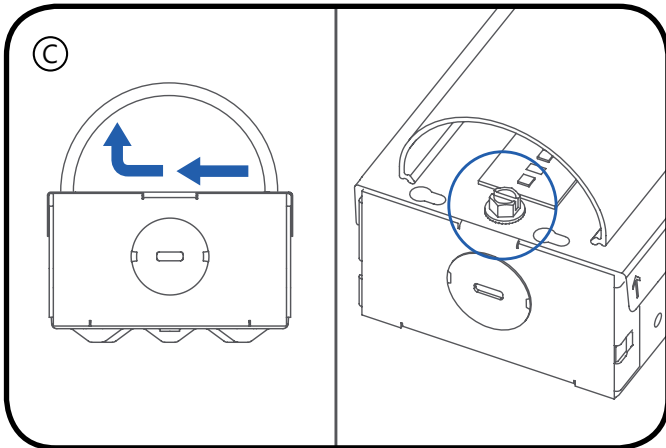
① Mounting



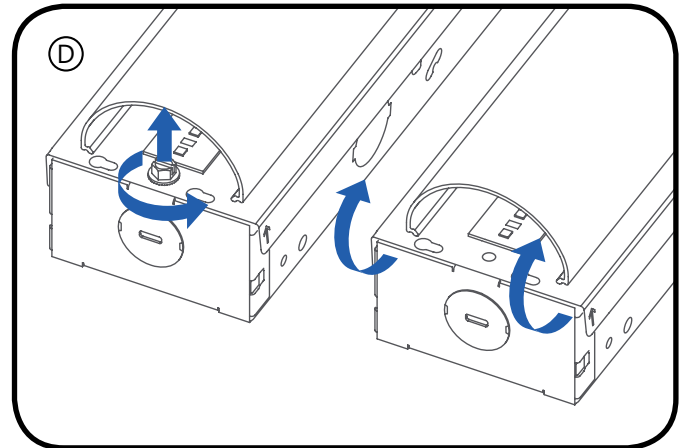
For safety, turn off main power prior to installation.



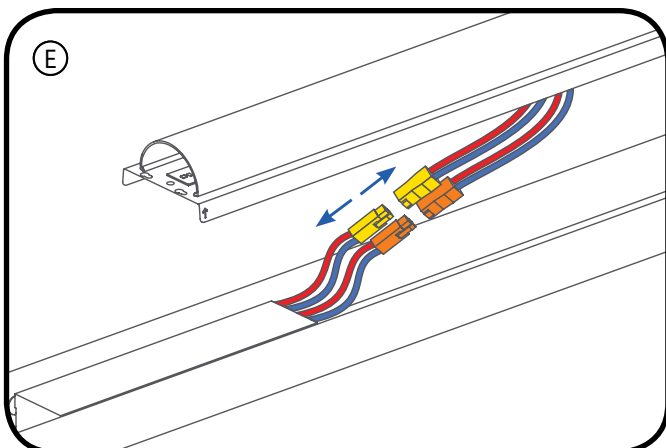
Locate arrow on the side of the fixture indicating screw attachment location.



Push lens end cap left, lift, and remove to expose cover screw.

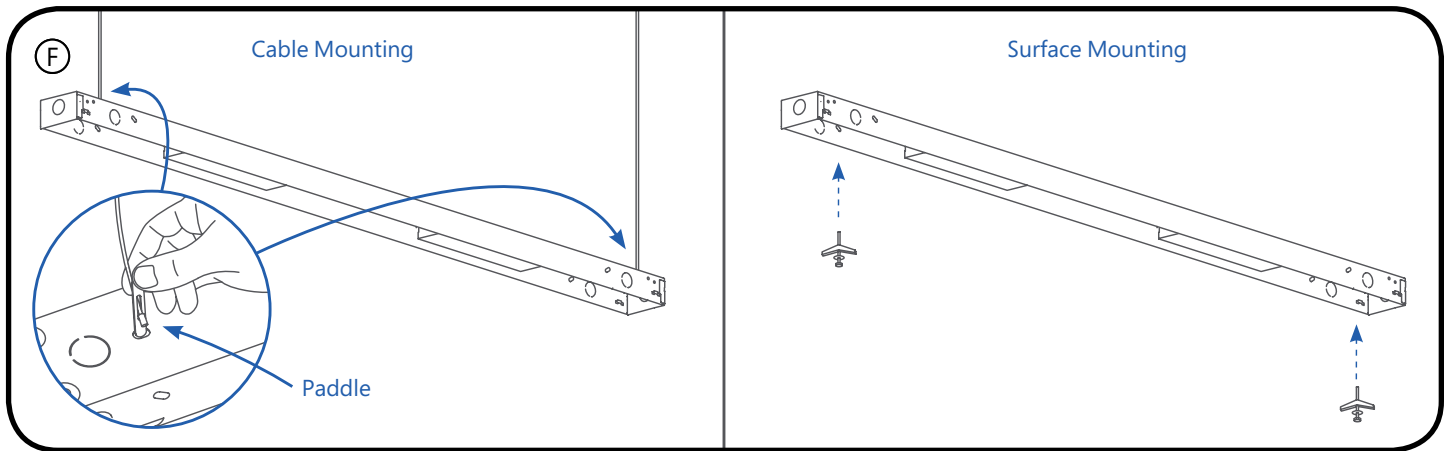


Remove screw. Slide and lift cover free of housing.



Remove cover and LED strip by disconnecting the quick-connectors to the driver.

① Mounting

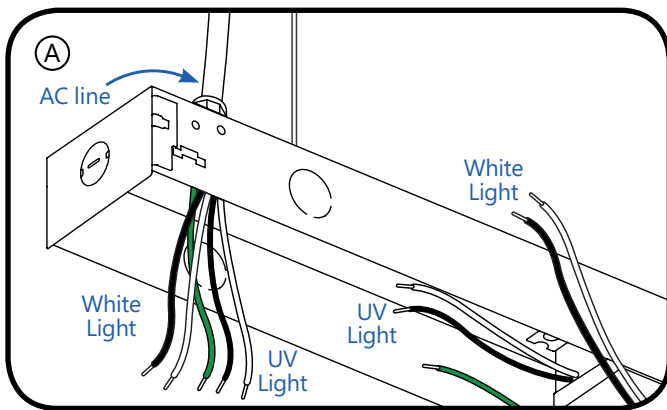


Hang fixture using either a pair of cables or mount directly to ceiling using appropriate hardware (not included).

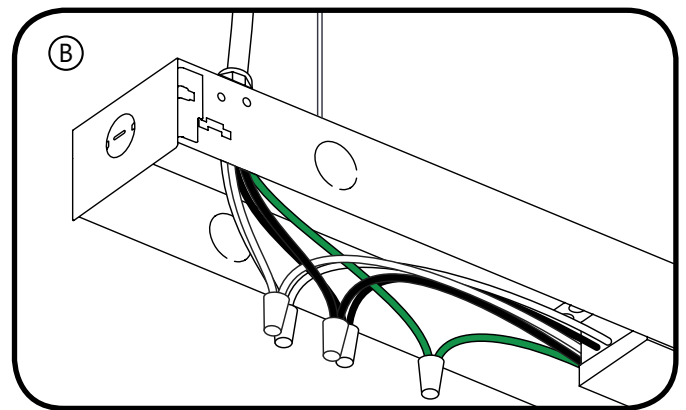
Cable Mounting: Hang a pair of cables from the ceiling and pass both paddles through slots on top of fixture.

Surface Mounting: Install box to intended surface using mounting holes on both ends of fixture with appropriate mounting hardware. If mounting into a joist, use 2 wood screws and 2 washers to attach to joist. If joist is not available, use 2 toggle bolts and 2 washers to attach to plasterboard.

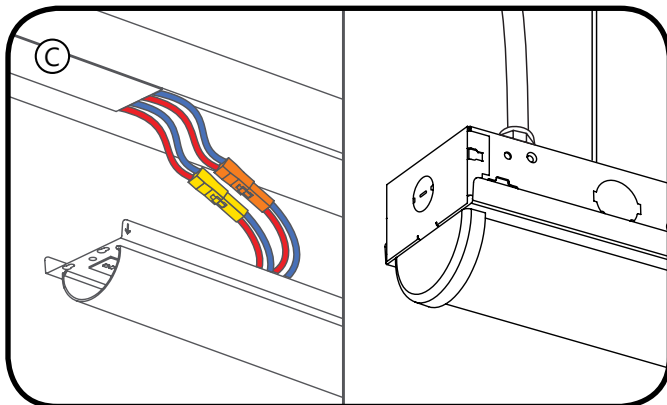
② Wiring



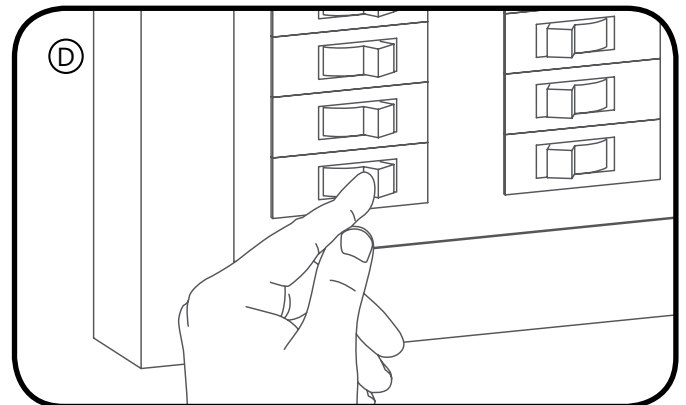
Install electrical fitting and feed the AC line wire through the fitting.



Connect the AC line to the black (line) and white (neutral) input wires of the LED driver using 14-18AWG twist-on wire connectors. Connect the ground wire to the green grounding wire.



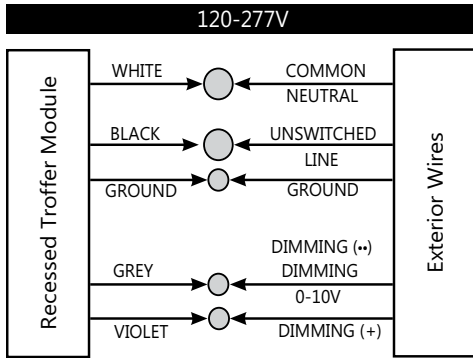
Reconnect similarly-colored wires from LED driver to LED strip. Reattach cover by sliding onto housing, reinserting screw, and replacing lens end cap.



Restore main power.

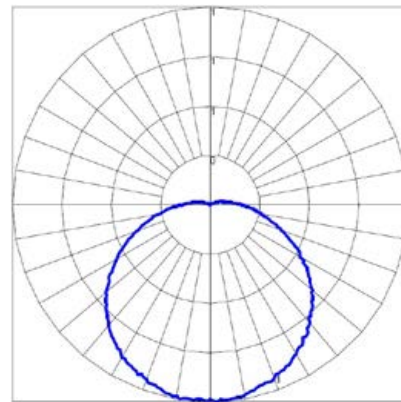
③ Electrical Connections (SAVE THESE INSTRUCTIONS)

⚠ WARNING
RISK OF ELECTRICAL SHOCK
Disconnect power before servicing or installing product.



NOTE: Two sets of leads may be provided from the linear fixture labeled with black and white labels corresponding to “UV” and “WHITE” light circuits. These may be connected to the same or separate circuits depending on customer instruction. Dimming is not recommended on the UV circuit as it will reduce the disinfection effectiveness.

BLACK = UV Light Circuit **WHITE** = White Light Circuit



Maximum Candela = 1.159 Located At Horizontal Angle = 85, Vertical Angle = 2
#1 - Vertical Plane Through Horizontal Angles (85 - 265) (Through Max. Cd.)

④ Troubleshooting

Symptom	Solution
Luminaire will not turn on	<ul style="list-style-type: none"> Check that the color of the supply side wires match the color of the wires they are connected to. Check that all wire connectors are properly connected. Verify that your input voltage is within specs. If you are using any additional controls (i.e. wireless controls or motion sensors), please also verify that those are working properly and that the unit is setup to interface with the controllers.

Note: CONTACT FACTORY for details and limitations when seeking to incorporate this product with an emergency system other than Battery Backup.

⑤ Make An Informed Decision

1. UV radiation can pose a risk of personal injury. Overexposure can result in damage to eyes and bare skin. To reduce risk of overexposure, equipment must be installed in accordance with manufacturer’s site planning and application recommendations, including minimum ceiling height restrictions.
2. UV solutions are intended for common high traffic spaces and not recommended for dwellings or home use.
3. Installation of the devices should be performed by qualified professionals as detailed in Current’s installation guid
4. To allow for occupancy during use, Current products comply with IEC 62471 – Photobiological Safety of Lamps and Lamp Systems standards and American Conference of Governmental Industrial Hygienists (ACGIH®) TLVs® guidelines when installed as directed.
5. Current’s UV products are meant to be used in conjunction with other protective measures like manual cleaning and the use of proper PPE. They are not a substitute for other measures.
6. Current products are not intended for use as a medical device.
7. If combining two or more UV solutions, whether from GE Current, a Daintree company and/or other manufacturers, please consult a trained product application representative to ensure the total irradiance (UV dose) does not exceed recommended human exposure limits. To the extent UV solutions are combined, it may impact inactivation rates.

FCC Statements:

This device complies with Part 15 of the FCC Rules. Operation is subject to the following two conditions: (1) This device may not cause harmful interference, and (2) this device must accept any interference received, including interference that may cause undesired operation. CAN ICES-005 (A) / NMB-005 (A)

Note: This equipment has been tested and found to comply with the limits for a Class A digital device, pursuant to part 15 of the FCC Rules. These limits are designed to provide reasonable protection against harmful interference when the equipment is operated in a commercial environment. This equipment generates, uses, and can radiate radio frequency energy and, if not installed and used in accordance with the instruction manual, may cause harmful interference to radio communications. Operation of this equipment in a residential area is likely to cause harmful interference in which case the user will be required to correct the interference at their own expense.

EPA:

EPA Est. 90375-MEX-1

Questions:

Web: products.gecurrent.com or www.365DisInFx.com | **Phone:** 1-888-694-3533

All product and company names are trademarks™ or registered® trademarks of their respective holders. Use of them does not imply any affiliation with or endorsement by them. All specifications are subject to change without notice.

These instructions do not purport to cover all details or variations in equipment nor to provide for every possible contingency to be met in connection with installation, operation or maintenance. Should further information be desired or should particular problems arise which are not covered sufficiently for the purchaser's purposes, the matter should be referred to GE Current, a Daintree company.

Ces instructions ne prétendent pas couvrir tous les détails ou variantes de l'équipement ni couvrir toutes les conditions possibles à satisfaire en rapport avec l'installation, l'opération ou l'entretien. Si des informations supplémentaires sont souhaitées sur des aspects qui ne sont pas suffisamment couverts pour satisfaire les besoins du client, ou si des problèmes particuliers se présentent, veuillez adresser ces questions à GE Current, une entreprise Daintree.