

# Lumination® Allusion



## Glow Diffuser Installation Supplement



### BEFORE YOU BEGIN

Read these instructions completely and carefully.

### ⚠ WARNING/AVERTISSEMENT

#### RISK OF ELECTRIC SHOCK

- Turn power off before inspection, installation or removal.
- Properly ground electrical enclosure.

#### RISK OF FIRE

- Follow all NEC and local codes.
- Use only UL approved wire for input/output connections. Minimum size 18 AWG.
- Type IC, inherently protected.

#### RISK OF INJURY

- Diffuser may fall down if not installed properly.

#### RISQUES DE DÉCHARGES ÉLECTRIQUES

- Coupez l'alimentation avant d'inspecter, installer ou déplacer le luminaire.
- Assurez-vous de correctement mettre à la terre le boîtier d'alimentation électrique.

#### RISQUES D'INCENDIE

- Respectez tous les codes NEC et codes locaux.
- N'utilisez que des fils approuvés par UL pour les entrées/sorties de connexion. Taille minimum 18 AWG.

- Type IC, protection inhérente.

#### RISQUES DE BLESSURE

- Le volet peut tomber s'il n'est pas installé correctement.

**This document is a supplement for the glow diffuser installation.  
Complete fixture install instructions have been provided with the fixture.**

### Provided in the package:

A glow diffuser will be included in the packaging with each fixture.

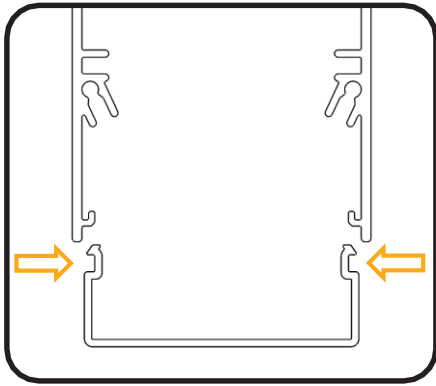
LALR Starter fixtures:

- Glow diffuser endcaps (Qty. 2)

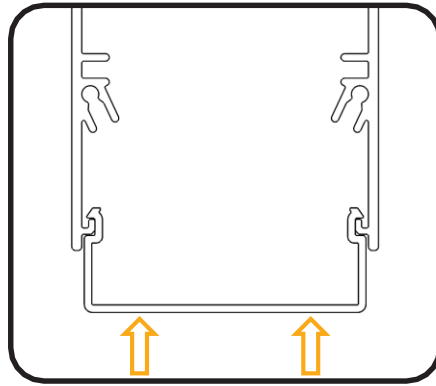
LALS Starter Kits:

- Glow diffuser endcaps (Qty. 2)

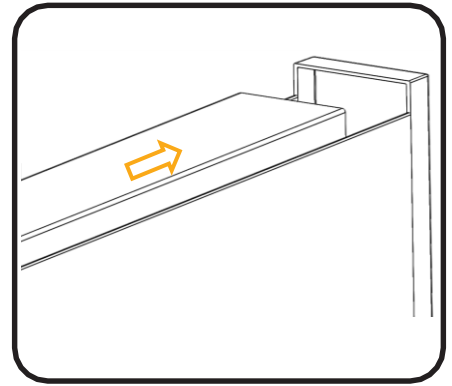
## Installation



- 1 Squeeze snap hooks together.



- 2 Push diffuser so both hooks engage the housing. Inspect along length of fixture to ensure proper connection.



- 3 Complete the enclosure by installing the endcaps. Slide diffuser under endcap to ensure no LEDs are visible.

## Troubleshooting

### Symptom

Components are not fitting together.

### Solution

Check the table below to ensure correct parts are being used.

LALS		LALR		Diffuser	
Glow Distribution Endcap	Medium Distribution Endcap	Glow Distribution Endcap	Medium Distribution Endcap	Glow Distribution (GL)	Medium Distribution (MM)
Height = 5.0 in	Height = 4.5 in	Height = 4.5 in	Height = 3.8 in	Height = 0.8 in	Height = 0.3 in