

Lumination® LED Luminaire



LED Door Replacement (Recessed Architectural Luminaire Series)



BEFORE YOU BEGIN

Read these instructions completely and carefully.

⚠ WARNING / AVERTISSEMENT

RISK OF ELECTRIC SHOCK

- Turn power off before inspection, installation or removal.
- Properly ground electrical enclosure.

RISK OF FIRE

- Follow all NEC and local codes.
- Use only UL approved wire for input/output connections.
- Minimum size 18 AWG (0.75mm²).

RISQUES DE DÉCHARGES ÉLECTRIQUES

- Coupez l'alimentation avant d'inspecter, installer ou déplacer le luminaire.
- Assurez-vous de correctement mettre à la terre le boîtier d'alimentation électrique.

RISQUES D'INCENDIE

- Respectez tous les codes NEC et codes locaux.
- N'utilisez que des fils approuvés par UL pour les entrées/sorties de connexion. Taille minimum 18 AWG (0.75mm²).

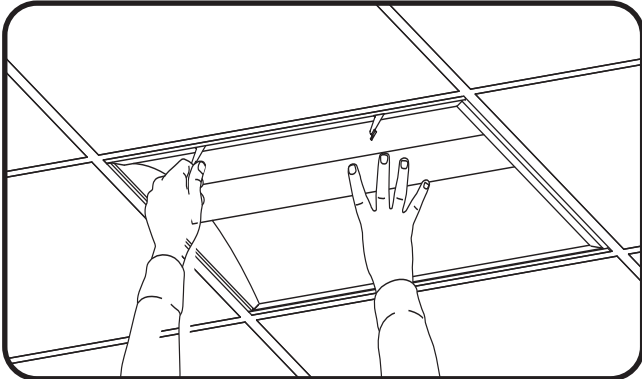
Save These Instructions

Use only in the manner intended by the manufacturer.
If you have any questions, contact the manufacturer.

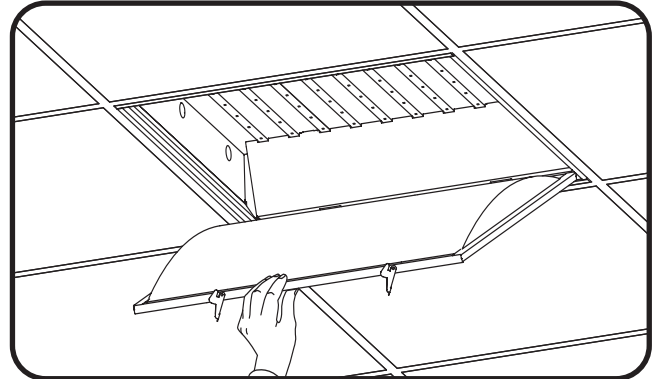
Door Replacement Steps

NOTE: The following steps depict the 2x2 series luminaire. However, the procedure is the same for the 2x4 series.

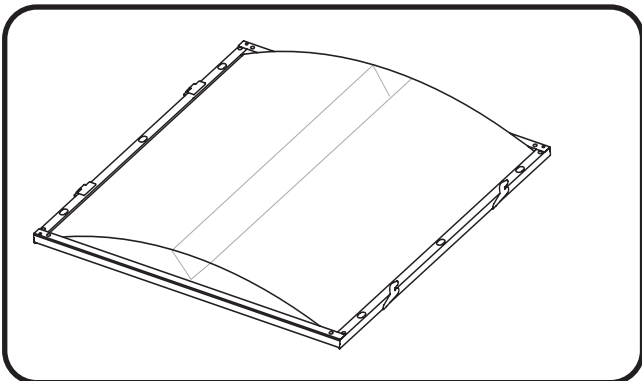
- 1 Turn off power.



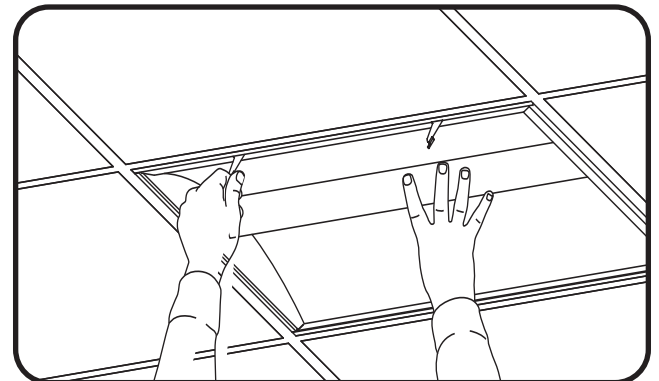
- 2 Rotate latches to unlock the front bezel.



- 3 Swing down panel and lift off front bezel with diffuser.



- 4 Remove replacement door from packaging and inspect door before installing. Ensure diffuser has not loosened from door frame.



- 5 Hang panel on its hinges and swing up into place. Rotate latches on front bezel to fasten it.

- 6 Restore power after panel is closed.