

# Cuisinart® INSTRUCTION & RECIPE BOOKLET



**14-Cup Cuisinart Elite Collection® 2.0 Food Processor** **FP-14N Series**

For your safety and continued enjoyment of this product, always read the instruction book carefully before using.

## RECOMMENDED MAXIMUM WORK BOWL CAPACITIES

FOOD	CAPACITY 14-CUP WORK BOWL	CAPACITY 4.5-CUP WORK BOWL
Sliced or shredded fruit, vegetables or cheese	14 cups	N/A
Chopped fruit, vegetables or cheese	12 cups	3 cups
Puréed fruit, vegetables or cheese	12 cups cooked 8 cups puréed	3 cups cooked 1½ cups puréed
Chopped or puréed meat, fish, seafood	2¼ pounds	½ pound
Thin liquid* (e.g., dressing, soups, etc.)	10 cups	3 cups
Cake batter	Three 9-inch cheesecakes Four 8-inch homemade layers (2 boxes 18.5 oz. cake mix)	N/A
Cookie dough	8 dozen (based on average chocolate chip cookie recipe)	N/A
White bread dough	6 cups flour	N/A
Whole wheat bread dough	4 cups flour	N/A
Nuts for nut butter	4 cups	1½ cups

\* When processing egg-based liquids, like a custard base for quiche, reduce maximum capacity by 2 cups.

# IMPORTANT UNPACKING INSTRUCTIONS

This package contains a Cuisinart Elite Collection® 2.0 14-Cup Food Processor and the accessories for it: 14- and 4.5-cup work bowls, work bowl cover, large and small metal chopping/mixing blades, dough blade, adjustable slicing disc, reversible shredding disc, stem adapter, large and small pushers, spatula, accessory storage case, and instruction/recipe book.

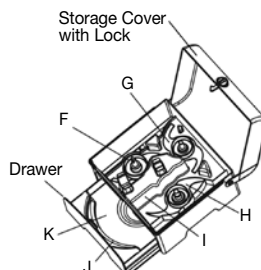
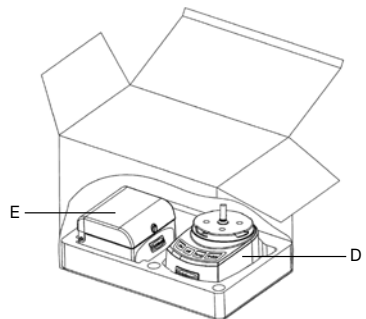
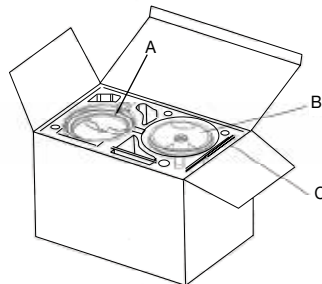
**CAUTION: THE CUTTING TOOLS HAVE VERY SHARP EDGES.** To avoid injury when unpacking the parts, please follow these instructions.

1. Place the box on a low table or on the floor next to the kitchen counter where you intend to keep the food processor. Be sure the box is right side up.
2. Open top flaps—there will be a rectangular block of foam that holds the processor parts, each fitted into a cavity in the foam.
3. Remove the instruction/recipe book and bowl cover (A) from one side of the foam block. Lift out the large and small pushers.
4. Lift out the work bowls (B) and spatula (C) from the other side of the foam block.
5. Remove the foam block and the cardboard frame.
6. Remove the housing base (D) from one side of the bottom of the box. Assemble the work bowls on the base by placing them over the shaft using the handle to turn the work bowl counterclockwise to lock it.
7. Place the food processor on the countertop or table. Read the Assembly Instructions thoroughly before using the machine.
8. The storage case (E) is on the other side of the bottom of the box.
9. Lift out the storage case, unlock the cover and remove the foam block; the small metal chopping/mixing blade (F), dough blade (G), large metal chopping/mixing blade (H), and stem adapter (I), are each in a cavity.

**CAREFULLY REMOVE THE METAL CHOPPING/MIXING BLADE BY GRASPING THE CENTER HUB AND LIFTING IT STRAIGHT UP. NEVER TOUCH THE BLADES, AS THEY ARE RAZOR SHARP.**

10. Pull out the drawer to the storage case with the adjustable slicing disc (J), and **CAREFULLY REMOVE IT BY USING THE PLASTIC HUB. DO NOT TOUCH THE BLADE, IT IS VERY SHARP.** The reversible shredding disc (K) is also in the drawer. Carefully remove the slicing disc and shredding disc by using the plastic hub. Remember to lock the parts in the storage case when not in use.
11. Save the shipping cartons and plastic foam blocks. You will find them very useful if you need to repack the processor for moving or other shipment.

**NOTE:** We recommend that you visit our website, [www.cuisinart.com](http://www.cuisinart.com) for a fast, efficient way to complete your product registration.



---

# IMPORTANT SAFEGUARDS

Always follow these safety precautions when using this appliance.

## Getting Ready

1. Read all instructions.
2. **Blades and discs are sharp.** Handle them carefully.
3. **Turn the appliance OFF, then unplug from the outlet when not in use, before assembling or disassembling parts and before cleaning. To unplug, grasp the plug and pull from the outlet. Never pull from the power cord.**
4. Do not use outdoors.
5. Do not let cord hang over edge of table or counter, or touch hot surfaces.
6. Do not operate any appliance with a damaged cord or plug or after the appliance malfunctions, or is dropped or damaged in any manner. Contact the manufacturer at their customer service telephone number for information on examination, repair, or adjustment.

## Operation

1. Keep hands as well as spatulas and other utensils away from moving blades or discs while processing food, to prevent the possibility of severe personal injury or damage to food processor. A plastic scraper may be used, but only when the food processor motor is stopped.
2. Avoid contact with moving parts. Never push food down by hand when slicing or shredding. Always use pusher.
3. Make sure motor has completely stopped before removing cover. (If machine does not stop within 4 seconds after you remove the pusher assembly, call 1-800-762-0190 for assistance. Do not use the machine.)
4. Never store any blade or disc on the motor shaft. To reduce the risk of injury, no blade or disc should be placed on the shaft except when the bowl is properly locked in place and the processor is in use. Store blades and discs, as you would sharp knives, out of reach of children.
5. Be sure cover and feed tube are securely locked in place before operating food processor.

6. Never try to override or tamper with cover interlock mechanism.

## Cleaning

To protect against risk of electrical shock, do not put base in water or other liquids.

## General

1. This appliance is not intended for use by persons (including children) with reduced physical, sensory, or mental capabilities, or lack of experience and knowledge, unless they are closely supervised and instructed concerning use of the appliance by a person responsible for their safety. Close supervision is necessary when any appliance is used by or near children. Children should be supervised to ensure that they do not play with the appliance.
2. Do not operate this, or any other motor-driven appliance, while under the influence of alcohol or other substances that affect your reaction time or perception.
3. This food processor is UL listed for household use. Use it only for food preparation as described in the accompanying recipe and instruction book. Do not use this appliance outside of its intended use.
4. The use of attachments not recommended or sold by Cuisinart may cause fire, electrical shock or personal injury, or damage to your food processor.
5. To avoid possible malfunction of work bowl switch, never store processor with pusher assembly in locked position.
6. Maximum rating of 13 amperes is based on attachment that draws greatest current. Other recommended attachments may draw significantly less current.
7. Do not operate your appliance in an appliance garage or under a wall cabinet. **When storing in an appliance garage always unplug the unit from the electrical outlet.** Not doing so could create a risk of fire, especially if the appliance touches the walls of the garage or the door touches the unit as it closes.

**NOTICE:** Do not fill the bowl above the marked maximum fill line (or rated capacity) to avoid risk of injury due to damage to the cover or bowl.

# SAVE THESE INSTRUCTIONS FOR HOUSEHOLD USE ONLY

## WARNING: RISK OF FIRE OR ELECTRIC SHOCK



The lightning flash with arrowhead symbol within an equilateral triangle is intended to alert the user to the presence of uninsulated, dangerous voltage within the product's enclosure that may be of sufficient magnitude to constitute a risk of fire or electric shock to persons.



The exclamation point within an equilateral triangle is intended to alert the user to the presence of important operating and maintenance (servicing) instructions in the literature accompanying the appliance.

## SPECIAL CORD SET INSTRUCTIONS

A short power-supply cord is provided to reduce the risks resulting from becoming entangled in or tripping over a longer cord.

Longer extension cords are available and may be used if care is exercised in their use.

If a long extension cord is used, the marked electrical rating of the extension cord must be

at least as great as the electrical rating of the appliance, and the longer cord should be arranged so that it will not drape over the countertop or tabletop where it can be pulled on by children or tripped over.

## NOTICE

This appliance has a polarized plug (one blade is wider than the other). To reduce the risk of electric shock, this plug will fit into a polarized outlet only one way. If the plug does not fit fully into the outlet, reverse the plug. If it still does not fit, contact a qualified electrician. Do not modify the plug in any way.

## CONTENTS

Important Unpacking Instructions.....	3
Important Safeguards.....	4
Features and Benefits .....	6
Assembly Instructions .....	8
Machine Controls .....	9
Machine Functions.....	9
User Guide and Capacity Chart.....	12
Cleaning and Maintenance .....	16
For Your Safety.....	16
Technical Data.....	17
Troubleshooting.....	17
Warranty Information.....	19
Recipes.....	22



### WARNING

RISK OF FIRE OR ELECTRIC SHOCK  
DO NOT OPEN



WARNING: TO REDUCE THE RISK OF FIRE OR ELECTRIC SHOCK,  
DO NOT REMOVE COVER (OR BACK)  
NO USER-SERVICEABLE PARTS INSIDE  
REPAIR SHOULD BE DONE BY AUTHORIZED SERVICE PERSONNEL ONLY

---

# FEATURES AND BENEFITS

## 1. Die-Cast Metal

### Housing Base and Motor

With a vertically projecting motor shaft, this powerful base will process through a variety of recipes with 1300 watts of peak power.

## 2. Touchpad Control Panel

These easy-to-clean, electronically controlled buttons feature On, Off, Dough and Pulse options for every food processing function. The contemporary blue LED bar will indicate when the unit is powered on.

## 3. Work Bowls

Designed with maximum versatility, the work bowl should be selected based on task appropriateness.

These nested bowls feature SealTight™ Advantage technology, which maximizes each bowl's processing capacity, ensures safe handling, and keeps all the ingredients contained in the bowl you're using. The bowls also include a locking feature to prevent them from coming out of position when pouring, and finger recesses (a) for user-friendliness.

The large and small work bowls are both made of durable material with convenient measurement markings (b), removable seal and pour spout (c).

## 4. Work Bowl Cover with Feed Tube

Work bowl cover with SealTight™ Advantage feature allows for maximum bowl capacity during processing and pouring. To remove the work bowl cover, push in the release buttons (a) on either side of the handle interlock (b). Seal can be removed and washed in the top rack of the dishwasher or by hand.

The Supreme® Wide-Mouth feed tube (c) accommodates larger ingredients and saves precutting time.

## 5. Pusher Assembly

Secured with a snap-fit, the small pusher (a) inside the large pusher (b) allows you to accommodate ingredients of all sizes. The large pusher lock (c), located on the handle, enables it to be pulled out to lock and pushed in to unlock — this feature should be used when processing heavy loads.

## 6. Small Chopping/Mixing Blade

This small stainless steel blade will chop or mix anything in your small work bowl and features the BladeLock System, which enables the blade to stay in place to prevent leaking, while providing optimal pouring.

## 7. Large Chopping/Mixing Blade

Stainless steel in construction, this heavy-duty blade will process a variety of food in your large work bowl.

## 8. Dough Blade

Designed for our exclusive dough speed control, this blade will knead through all types of dough. The dough blade can be used only in the large bowl.

## 9. Adjustable Slicing Disc

The versatile disc allows for thin to thick slices with 0 to 10 mm indicators. This disc can only be used with the large bowl.

## 10. Reversible Shredding Disc

Provides the option of either fine or medium shredding for optimal results. This disc can only be used with the large bowl.

## 11. Stem Adapter

This user-friendly tool easily attaches to either disc or small chopping/mixing blade to engage the motor shaft.

## 12. Spatula

Uniquely designed for use with either work bowl.

## 13. Retractable Cord (not shown)

The retractable cord system allows you to pull as much cord as needed, and then store it back in the housing when not in use.

**Note:** The end of the cord is wrapped with red tape to prevent over-pulling.

## 14. Accessory Storage Case

This convenient storage case with safety lock holds all of the blades and discs that are included with your new food processor.

## 15. BPA Free (not shown)

All materials that come in contact with food or liquid are BPA free.



# ASSEMBLY INSTRUCTIONS

## Before First Use

Before using your Cuisinart Elite Collection® 2.0 14-Cup Food Processor for the first time, wash the work bowls, work bowl cover, pusher assembly, blades, discs, and spatula (see Cleaning and Maintenance Instructions on page 16).

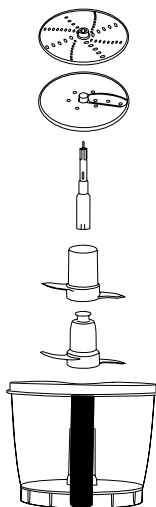
1. Place the food processor base on a dry, level countertop with the controls facing toward you. Do not plug the unit in until it is fully assembled.

**Note: To use the small bowl it must be nested in the large bowl for operation.**

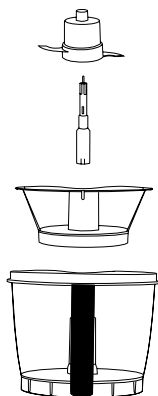
2. With the large bowl on the base, use the handle to turn the work bowl counterclockwise to lock it onto the housing base.

To use the small bowl, place your thumbs in the finger recesses and align the large bowl with the pour spout facing opposite the handle. Push down to lock.

Large Bowl  
& accessories



Small Bowl  
& accessories



## Blade Operation

The BladeLock feature is designed to keep the blade in place during processing, pouring, lifting, and handling tasks — but is not permanently attached. **Handle with care. Always check to be sure the blade is securely locked before turning the bowl upside down.**

**Note: The chopping/mixing blades should not be removed with liquid contents above the hub of the blade in the bowls, as this will defeat the SealTight™ system.**

## Large Blade Operation

With your large work bowl assembled on the base, grasp the large chopping/mixing blade by its hub, align it over the center of the bowl, place it onto the shaft and turn it until it slides into place. Firmly push down to lock. **Always check to be sure the blade is securely locked before turning the bowl upside down.** (To remove, first take the bowl off the base and put it on a flat surface. Rest the heel of your hand on the rim of the bowl and pull up gently and carefully.)

## Dough Blade Operation

For use with the large bowl. Carefully lift and place the dough blade on the shaft and turn it until it slides into place.

## Small Blade Operation

With both work bowls assembled on the base, position the stem adapter over the center of the bowls, place it on the shaft and turn it until it slides into place. Grasp the small chopping/mixing blade by its hub, place it on the stem adapter, turning it until it slides into place, and push down firmly to lock. **Always check to be sure the blade is securely locked before turning the bowl upside down.** (To remove, first take the bowl off the base and put it on a flat surface. Rest the heel of your hand on the rim of the bowl and pull up gently and carefully.)

## Disc Operation

When using the large bowl, position the stem adapter over the center of the bowl, place it on the shaft and turn it until it slides into place. If using the adjustable slicing disc, use the rotating hub and indicator markings to select slicing thickness. Using the plastic hub, align and insert the disc over the stem adapter.



If using the reversible shredding disc, determine whether the fine or medium side will be used and use the plastic hub to twist into position on the stem adapter. The plastic hub may be used for removal of this disc.

### Cover Operation

Place the work bowl cover onto the work bowl by positioning it directly over the bowls, and push down on the front and back to lock into place.

Another way to put the cover on is by latching the back on first and then pushing down on the front to lock into place. Be sure both front and back locks are fully engaged.

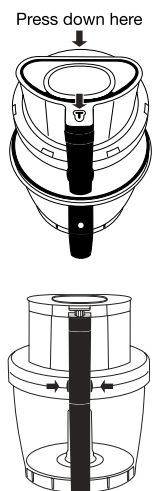
To remove the cover, push in both sides of the release button (located on the cover interlock) and lift up to remove.

**Note: The work bowl cover fits, locks and seals on the large bowl and with the nested bowl combination. The work bowl cover will become easier to engage with repeated use.**

Align pusher assembly and activating rod with the feed tube opening on the work bowl cover and slide it down completely.

Plug the food processor into a proper electrical outlet. It is now ready for use.

**Note: The bowl, lid and pushers must be securely in place for the unit to operate.**



### Pulse Button

The PULSE control is a momentary button that allows the machine to run only while it is being pressed. This capability provides more accurate control of the duration and frequency of processing. Unless otherwise specified, a pulse is about one second.

With the machine properly assembled and engaged, and ingredients in the work bowl, press the PULSE button repeatedly as needed. The blue LED bar will blink upon each activation.

### Dough Button

1. Prepare the dough ingredients and place in work bowl fitted with the dough blade.
2. Assemble and engage the work bowl cover and pusher.
3. Press the DOUGH button and the blue LED bar will blink.
4. Then press the ON button to knead the dough.
5. Press the OFF button when finished.

**Note: Kneading dough should only be done in the large work bowl.**

## WORK BOWLS

Two nested work bowls are provided for a versatile processing experience. We recommend using the work bowls in a manner that will optimize efficiency. For example, if your recipe requires using multiple bowls, begin with the small bowl to minimize cleaning. This way the small bowl can serve as a prep bowl to reserve chopped ingredients for a recipe.

Note that the bowls lock into place to pour while nested. The convenient finger recesses can be used to remove the small bowl with ingredients, or the bowls can remain nested during pouring or food removal.

Chopping certain foods may scratch or cloud the work bowl; this will not affect the functionality of your work bowl.

## MACHINE CONTROLS

### ON Button

The ON control is a continuous button that allows the machine to run until OFF is selected.

1. Properly assemble and engage the machine. The blue LED bar will light up.
2. Add ingredients to the work bowl, either through the feed tube or directly into the bowl.
3. Press the ON button. The blue LED bar will blink and the motor will start.
4. Press the OFF button when finished.

## MACHINE FUNCTIONS

### Chopping (using the Chopping Blade)

- For raw ingredients: peel, core and/or remove seeds and pits. Food should be cut into even, 1/2- to 1-inch pieces. Foods cut into same size pieces produce the most even results.
- Pulse food in 1-second increments to chop. For the finest chop, either hold the PULSE

---

down or press ON to run the machine continuously. Watch ingredients closely to achieve desired consistency and scrape the work bowl as necessary.

## **Puréeing** **(using the Chopping Blade)**

- To purée fresh fruits or cooked fruits/vegetables: Ingredients should be cut into 1-inch pieces; a smooth purée is achieved easiest when all the pieces are equal in size. Pulse to initially chop and then process ON until food is puréed; scrape the work bowl as necessary. Do not use this method to purée cooked white potatoes. (See Mashed Potatoes recipe on page 71.)
- To purée solids for a soup or sauce: Strain the solids from the liquid and process the solids alone. Add cooking liquid to process as needed.

## **Kneading** **(using the Dough Blade or the Chopping Blade with Dough Speed)**

- The exclusive dough control processes pastry doughs, batters and kneads yeast bread doughs. The chopping blade is ideal for pastry doughs, while the dough blade is specifically designed for kneading yeast doughs.
- The pusher lock is recommended to be in the locked position when kneading dough to avoid it from moving around — some vibration is still normal.
- Dough kneading should be done in the large bowl only.

## **Slicing** **(using the Adjustable Slicing Disc)**

- Always pack food in the feed tube evenly to slice. For smaller amounts of food, use the smaller feed tube. For cheese slicing, always use the large feed tube. The food will dictate the amount of pressure: Use light pressure for soft foods, medium pressure for medium foods, and firm pressure for harder foods. Always process with even pressure.
- For Julienne or Matchstick Cuts. Place food horizontally in the feed tube and process with even pressure to create long, plank-like slices. Place stack of slices in the small feed tube vertically and process again using even pressure. These will result in short julienne cuts.

- For round fruits or vegetables: Remove a thick slice on the bottom of the food so that it sits upright in the feed tube. If food does not fit in the feed tube, cut in half or quarters to fit. Process with even pressure.
- For small ingredients, like mushrooms, radishes or strawberries: Trim the ends so the food sits upright in the feed tube. Take advantage of the smaller feed tube if appropriate.
- When slicing cheese, be sure that the cheese is well chilled before slicing.

## **Shredding** **(using the Reversible Shredding Disc)**

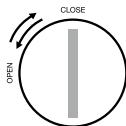
- Always pack food in the feed tube evenly to shred. For smaller amounts of food, use the smaller feed tube. For cheese shredding, always use the large feed tube. The food will dictate the amount of pressure: Use light pressure for soft foods, medium pressure for medium foods and firm pressure for harder foods. Always process with even pressure.
- To shred leafy vegetables like lettuce or spinach: Roll leaves together and stand up in feed tube. Process with even pressure.
- When shredding cheese, be sure that the cheese is well chilled before shredding.

## **Whipping**

- As an optional attachment, Cuisinart also offers a whipping disc for egg whites, cream, etc. This part can be ordered separately using part number FP-14WHIP.

# ACCESSORY STORAGE CASE

## Operating the Lock



To unlock, turn counterclockwise. Gently lift up the transparent cover. Do not force the cover open when the knob is in the locked position. To lock, gently close the cover and turn the knob clockwise.

## Inserting Accessories

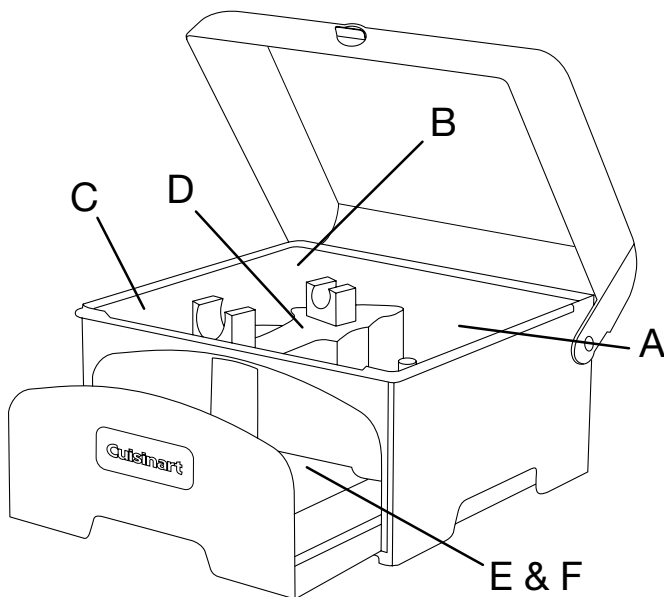
The Accessory Storage Case houses the (A) large metal blade in the right cavity, the (B) dough blade in the back cavity, and the (C) small metal blade in the left cavity. Hold each piece carefully by the center hub. **WARNING: DO NOT TOUCH METAL BLADES, AS DOING SO MAY RESULT IN INJURY.** The (D) stem adapter fits in the long center opening. Insert the stem adapter with the thinner, plastic end toward the back.

Icons embossed on the inside surface of the Accessory Storage Case show proper placement of the blades.

The discs are housed in the drawer at the lower end of the Accessory Storage Case. The (E) reversible shredding disc gets inserted first (on either side). Then the (F) adjustable slicing disc rests over the shredding disc with the plastic hub facing up. The words “shredding” and “slicing” are printed in the drawer as a reminder of the correct disc positions.

Carefully hold discs by center hub for inserting and removing from the storage case.

**WARNING: CUTTING EDGES OF FOOD PROCESSOR DISCS ARE VERY SHARP. ALWAYS KEEP FINGERS AWAY FROM SHARP SIDE.**



# USER GUIDE & CAPACITY CHART

FOOD	TOOL	PROCESS	YIELD	DIRECTIONS
<b>FRUITS</b> Apples	Metal Blade	Chop	1 pound = 3 cups	Cut into 1-inch pieces; pulse to chop – process for fine chop.
	Metal Blade	Purée	1 pound = 3 cups	Process to purée cooked and peeled apples for applesauce.
	Slicing Disc	Slice	1 apple = ¾ cup	Medium pressure
	Shredding Disc	Shred	1 apple = ¾ cup	Medium pressure
Avocados	Metal Blade	Chop	1 medium = 1 cup	Cut into 1-inch pieces; pulse to chop.
	Metal Blade	Purée	1 medium = 1 cup	Cut into 1-inch pieces; process to purée.
Bananas	Metal Blade	Purée	3 medium = 1 cup	Process to purée ripe bananas.
	Slicing Disc	Slice	1 pound = 2 cups	Light pressure for firm bananas.
Berries	Metal Blade	Purée	1 pint fresh = 2 cups; 10 ounce bag frozen = 1½ cups	Process until puréed. Strain to remove seeds. Thaw frozen berries before processing.
	Slicing Disc	Slice	1 pint = 2 cups	Strawberries: Remove stems; stack berries on their side. Medium pressure.
Coconuts	Metal Blade	Chop	1 medium = 4 cups	Cut flesh into 1-inch pieces; pulse to chop. Process to finely chop.
	Shredding Disc	Shred	1 medium = 4 cups	Cut flesh to fit feed tube, medium pressure.
Kiwis	Slicing Disc	Slice	2 kiwis = ¾ cup	Chill and peel; light pressure.
Mangoes	Metal Blade	Chop	1 medium = ¾ to 1 cup	Cut into 1-inch pieces; pulse to chop.
	Metal Blade	Purée	1 medium = ¾ to 1 cup	Cut into 1-inch pieces; process to purée.
Peaches/ Nectarines	Metal Blade	Chop	1 lb. = 2 to 2½ cups	Cut into 1-inch pieces; pulse to chop.
	Metal Blade	Purée	1 lb. = 2 to 2½ cups	Cut into 1-inch pieces; peel and process to purée.
	Slicing Disc	Slice	1 lb. = 2 to 2½ cups	Remove pit, light pressure.
Citrus Fruits; Lemons, Limes & Oranges	Metal Blade	Chop	For medium fruit: 1 lemon = 2 to 3 teaspoons zest; 1 lime = 1 tsp. zest;	Zest: Use vegetable peeler to remove rind; process. For the finest chopped zest, add small amount of sugar to chop with zest.
	Slicing Disc	Slice	1 orange = 1½ tablespoons zest	Trim ends; place upright in feed tube. Medium pressure.
Dried (sticky) Fruits	Metal Blade	Chop	1 pound = 2½ cups	Chill fruit. Add some flour from recipe to work bowl. Process using short pulses until desired consistency.
<b>VEGETABLES</b> Beans – Green, Wax	Metal Blade	Purée	1 cup = ½ cup purée	Process to purée cooked beans.
	Slicing Disc	Slice	1 pound = 3 cups	“French-cut”: Trim beans; stack in feed tube horizontally. Light pressure.
Broccoli/ Cauliflower	Metal Blade	Chop	1 pound raw = 2 cups	Cut into 1-inch pieces; pulse to chop.
	Metal Blade	Purée	1 pound cooked = 1 cup	Cut into 1-inch pieces; process to purée.
	Slicing Disc	Slice	Broccoli stems only	Peel and trim stems. Medium pressure.
	Shredding Disc	Shred	Broccoli stems only	Peel and trim stems. Medium pressure.
Cabbage	Metal Blade	Chop	2 pounds = 8 cups	Cut into 1-inch pieces; pulse to chop to desired consistency.
	Slicing Disc	Slice	2 pounds = 8 cups	Cut in wedges to fit feed tube; remove center core. Light to no pressure. Use slicing disc for coleslaw.
	Shredding Disc	Shred	2 pounds = 8 cups	Use shredding disc for extra-fine needs.
Carrots	Metal Blade	Chop	1 pound (6 med.) = 3 cups	Cut into 1-inch pieces; pulse to chop to desired consistency.
	Metal Blade	Purée	2 med. cooked = ½ cup purée	Process to purée.
	Slicing Disc	Slice	1 pound (6 med.) = 3 cups	Small rounds: Trim; place upright in feed tube. Long slices: Trim; place horizontally in feed tube. Medium to firm pressure.
	Shredding Disc	Shred	1 pound (6 med.) = 2½ cups	Small shreds: Trim; place upright in feed tube. Long shreds: Trim; place horizontally in feed tube. Medium to firm pressure.

FOOD	TOOL	PROCESS	YIELD	DIRECTIONS
Celery	Metal Blade	Chop	2 medium stalks = ½ cup	Cut into 1-inch pieces; pulse to chop to desired consistency.
	Slicing Disc	Slice	2 medium stalks = ½ cup	Trim; place upright in feed tube. Medium pressure.
Cucumbers	Metal Blade	Chop	1 medium = 1½ cups	Cut into 1-inch pieces; pulse to chop.
	Slicing Disc	Slice	1 medium = 1½ cups	Rounds: Trim; place upright in feed tube. Medium pressure. Long slices: Trim; place horizontally in feed tube. Medium pressure.
	Shredding Disc	Shred	1 medium = 1½ cups	Shreds: Trim; place upright in feed tube. Medium pressure. Long shreds: Trim; place horizontally in feed tube. Medium pressure.
Garlic	Metal Blade	Chop	1 head = 12 to 16 cloves; 1 medium clove = ½ teaspoon	Peel; with machine running, drop cloves through feed tube to finely chop.
Ginger	Metal Blade	Chop	1-inch piece = 1 tablespoon	Peel; cut into ½-inch pieces. With machine running, drop through feed tube to finely chop.
	Slicing Disc	Slice	4 ounces = ½ cup	Peel; place upright in feed tube. Medium pressure.
	Shredding Disc	Shred	4 ounces = ½ cup	Peel; place upright in feed tube. Medium pressure.
Herbs – Fresh	Metal Blade	Chop	1 cup loosely packed = ½ cup	Herbs, work bowl and blade should be clean and completely dry. Pulse to roughly chop. Process to finely chop. Keep up to 10 days in airtight bag in refrigerator.
Jalapeño	Metal Blade	Chop	1 medium pepper = 3 tablespoons	Remove seeds and stem. With machine running, drop halved pepper through feed tube to chop.
	Slicing Disc	Shred	1 medium pepper = ¼ cup	Remove seeds and stem. Cut stem end flat to slice into rings; medium pressure. Place upright in feed tube for narrow slices, horizontally for longer slices.
Leeks	Metal Blade	Chop	1 pound = 2 cups	Clean leeks; trim, discard dark green parts. Cut into 1-inch pieces; pulse to chop.
	Slicing Disc	Slice	1 pound = 2 cups	Prepare leeks as above. Place upright in feed tube; medium pressure. Long slices: Trim; place lengthwise in feed tube. Medium pressure.
Mushrooms	Metal Blade	Chop	1 pound = 6 cups	Cut into even pieces; pulse to chop.
	Slicing Disc	Slice	1 pound = 5 cups	Pack feed tube. Light pressure.
	Shredding Disc	Shred	1 pound = 5 cups	Pack feed tube. Light pressure.
Onions	Metal Blade	Chop	1 pound = 4½ to 5 cups	Cut into 1-inch pieces; pulse to chop.
	Slicing Disc	Slice	1 medium = ¾ to 1 cup	Trim; place in feed tube. Medium pressure.
Peppers – Bell	Metal Blade	Chop	1 pound = 4½ to 5 cups	Cut into 1-inch pieces; pulse to chop.
	Slicing Disc	Slice	1 pound = 3 cups	Remove seeds and stem. Cut stem end flat to slice into rings; medium pressure. Halve or quarter and place upright in feed tube for narrow slices, horizontally for longer slices.
Pickles	Metal Blade	Chop	1 medium = ¾ cup	Cut into 1-inch pieces; pulse to chop.
	Slicing Disc	Slice	1 medium = ¾ cup	Place upright in feed tube for rounds; horizontally for longer slices. Medium pressure.
Potatoes	Metal Blade	Chop	1 pound = 3½ to 4 cups	Raw potatoes: Cut into 1-inch pieces; pulse to chop.
	Metal Blade	Purée	1 cup cooked (1-inch pieces) = ½ cup	Sweet potatoes/yams: Cut into 1-inch pieces; pulse to chop.
	Slicing Disc	Slice	1 pound = 3½ to 4 cups	Trim end flat; cut to fit into feed tube. Light to medium pressure for white potatoes; firm pressure for sweet potatoes/yams; light pressure for partially cooked potatoes.
	Shredding Disc	Shred	1 pound = 3½ to 4 cups	Trim end flat; cut to fit into feed tube. Light to medium pressure for white potatoes. Note: Keep sliced or shredded raw potatoes in cold water to avoid discoloration; dry well before using. Mashed potatoes: Process cooked white potatoes through medium shredding disc to avoid a gluey consistency.

FOOD	TOOL	PROCESS	YIELD	DIRECTIONS
Radishes	Metal Blade	Chop	½ pound = 1½ cups	Cut into 1-inch pieces; pulse to chop. Process to finely chop.
	Slicing Disc	Slice	½ pound = 1½ cups	Trim ends; firm pressure.
	Shredding Disc	Shred	½ pound = 1½ cups	Trim ends; firm pressure.
Scallions	Metal Blade	Chop	1 to 2 = ¼ cup	Cut into 1-inch pieces; pulse to chop.
	Slicing Disc	Slice	1 to 2 = ¼ cup	Trim, discard dark green parts, place upright in feed tube. Light to medium pressure. Long slices: Trim; place horizontally in feed tube. Medium pressure.
Spinach	Metal Blade	Chop	1 pound raw = 10 cups raw	Pulse to chop.
	Metal Blade	Purée	1 pound raw = 1½ cups cooked	Process to purée.
	Slicing Disc	Slice	1 pound raw = 10 cups raw	Roll leaves together and place upright in feed tube; medium pressure.
Zucchini/Summer Squash	Metal Blade	Chop	1 pound = 3 cups	Cut into 1-inch pieces; pulse to chop.
	Slicing Disc	Slice	1 pound = 3 cups	Rounds: Trim; place upright in feed tube. Long slices: Trim; place horizontally in feed tube. Medium pressure.
	Shredding Disc	Shred	1 pound = 3 cups	Shredding: Trim; place upright in feed tube. Long shreds: Trim and place horizontally in feed tube. Medium pressure.
<b>CHEESES</b> Soft Cheeses; Ricotta, Cream, Cottage, Brie, Blue, Fontina Mozzarella, Bel Paese	Metal Blade	Purée	½ pound = 1 cup	Cut into 1-inch pieces. Process soft cheeses until smooth.
	Metal Blade	Chop	¼ pound = 1 cup	Cut into 1-inch pieces; pulse to chop.
	Shredding Disc	Med. Shred	¼ pound = 1 cup	Chill well; medium pressure. Mozzarella should be frozen for 25 to 30 minutes before shredding.
	Shredding Disc	Fine Shred	¼ pound = 1 cup	
Firm Cheeses; Cheddar, Swiss, Edam & Gouda	Metal Blade	Chop	¼ pound = 1 cup	Cut into ½- to 1-inch pieces; temperature not critical.
	Slicing Disc	Slice	¼ pound = 1 cup	Chill well; light to medium pressure.
	Shredding Disc	Med. Shred	¼ pound = 1 cup	Chill well; medium pressure.
	Shredding Disc	Fine Shred	¼ pound = 1 cup	Chill well; light pressure.
Hard Cheeses; Parmesan & Romano	Metal Blade	Chop	¾ pound = 3 cups	Cut into ½- to 1-inch pieces; temperature not critical. *Never process cheese that cannot be pierced with the tip of a sharp knife.
	Shredding Disc	Med. Shred	¼ pound = 1 cup	Cheese should be room temperature.
	Shredding Disc	Fine Shred	¼ pound = 1 cup	Cheese should be room temperature.
<b>ADDITIONAL FOODS</b> Baby Food	Metal Blade	Purée		As with all fruit and cooked vegetable purées, cut ingredients into 1-inch pieces. Steam cooked ingredients until completely soft. Pulse to chop, then process until completely smooth. To ensure there are no lumps, press mixture through a fine mesh strainer. Keeps well frozen in ice cube trays for individual 1-ounce portions.
Butter	Metal Blade	Chop	¼ pound (1 stick) = ½ cup	Butter should be room temperature and cut into tablespoon-size pieces. Process, scraping bowl as necessary. Compound butters: Process flavoring ingredients before adding butter. Pastry: Cut butter into small cubes; freeze before using.
	Slicing Disc	Slice	¼ pound (1 stick) = ½ cup	Butter should be cold, not frozen; medium pressure.
Chocolate	Metal Blade	Chop	1 ounce = ¼ cup grated	Cut into ½- to 1-inch pieces (or use chocolate chips). Pulse to start, then process to desired consistency. Texture will appear more rounded than grated.
	Shredding Disc	Shred	1 ounce = ¼ cup grated	Chill chocolate; medium to firm pressure.
Crumbs; Bread, Cookies & Crackers	Metal Blade	Chop	12 to 14 graham wafers = 1 cup crumbs; 1 slice bread = ½ cup crumbs	Break up ingredients into ½- to 1-inch pieces. Process until fine. Breadcrumbs: Make from fresh, stale or toasted bread.

FOOD	TOOL	PROCESS	YIELD	DIRECTIONS
Egg Whites	Metal Blade	Chop	8 egg whites = 1 cup firm whites	Egg whites should be room temperature; add 1 teaspoon lemon juice or vinegar per white. Process in an absolutely clean bowl for 1 to 2½ minutes until surface develops ridges and mass of whites almost stops moving. These egg whites should not be used in meringues. For whipped egg whites with volume, whip with whisk or electric mixer or additional Cuisinart® Whipping Disc. (This part can be ordered separately using part number FP-14WHIP.)
Meat, Poultry & Fish	Metal Blade	Chop	2¼ pound boneless = 4½ cups	Cut <i>very cold</i> raw or cooked meat/poultry/fish into 1-inch pieces; pulse to chop. Process for a few seconds at a time for a finer chop. Check texture often to avoid overprocessing.
	Metal Blade	Purée	1 pound boneless = 2 cups	Cut <i>very cold</i> raw or cooked meat/poultry/fish into 1-inch pieces; pulse to chop. Process continuously until desired texture.
	Slicing Disc	Slice	1 pound boneless = 2 cups	Slicing cooked meat/poultry: Be sure it is <i>very cold</i> . Use a single chunk of meat at a time. Slicing raw meat/poultry: Cut to fit feed tube; wrap in plastic to briefly freeze. Raw meat is ready to slice when hard to the touch, but can easily be pierced with tip of a sharp knife. *Slicing meats works best when semi-frozen.
Milkshakes/Smoothies	Metal Blade	Chop/Purée	Can make up to 16 8-ounce servings	Milkshakes: Add ice cream first; process and add milk through feed tube. Smoothies: Add fruit first, then add the liquid while processing.
Nuts	Metal Blade	Chop	¾ pound = 3 cups	Pulse to chop. Hardness of nut dictates amount and time of processing. If either flour or sugar is added to nuts during processing, they can be processed as long as possible without becoming butter. Coarsely chopped nuts: 6 to 8 pulses. Finely chopped nuts: Pulse 2 to 3 times, then process 20 to 30 seconds, watching carefully for desired consistency.
	Metal Blade	Purée	¼ pound = 1 cup	Nut butter: Process nuts 2 to 3 minutes, scraping bowl as necessary. For smoothest consistency, add some oil to nuts while processing.
	Slicing Disc	Slice	¼ pound = 1 cup	Medium pressure; nuts will have a coarse texture.
	Shredding Disc	Shred (fine/med.)	¼ pound = 1 cup	Medium pressure; nuts will have a fine/medium texture.
Granulated Sugar (to make extra super-fine sugar)	Metal Blade	Chop	1 pound = 2 cups	Process 1 minute, or until fine.
Tofu	Metal Blade	Purée	10 ounces = ¾ cup	Drain; process 2 minutes or until smooth.
Whipping Cream	Metal Blade	Chop	1 cup = ½ cup whipped	Process well-chilled cream until cream begins to thicken. Add sugar as desired; process continuously until cream reaches desired consistency (about 3 to 4 minutes).
<b>DOUGHS</b> Pastry Dough	Metal Blade	Mix		Pulse mixture until it has consistency between cornmeal and small pebbly crumbs. Add water, 1 tablespoon at a time; pulse until a dough forms.
<b>Batters</b> Quick Bread, Cakes & Cookies	Metal Blade	Mix		First sift dry ingredients together by processing; remove and reserve. Process the fats and sugars together and then add any remaining liquid ingredients. Pulse in reserved dry ingredients. Any ingredients that need to be coarsely chopped can be added with dry ingredients. For finely chopped ingredients, chop separately in small work bowl and then add to batter at the end.
<b>Yeast Dough</b> Breads	Dough Blade Dough Blade	Mix Knead		<b>TIPS:</b> Use ¾ cup warm liquid to proof 2¼ teaspoons dry active yeast. Sugar/honey aids in activating yeast, so add a small amount, about 1 teaspoon, to the warm liquid/yeast mixture when proofing. Food processor can handle up to 6 cups white flour for a yeast bread dough. The dough should have a soft, pliable texture and feel only slightly tacky.*
<b>Sweet Dough</b> Breads & Coffee Cakes	Dough Blade Dough Blade	Mix Knead		See <b>TIPS</b> above, but keep in mind that sweet doughs will be rich and sticky and may not clean sides of bowl; bowl may need to be scraped. Sweet doughs require less kneading once the ingredients are mixed.*

**Note:** Use dough blade for kneading dough in the large bowl only. The small bowl may not be used for dough.

\*See troubleshooting for additional direction and techniques.

---

## CLEANING AND MAINTENANCE

Keep your Cuisinart Elite Collection® 2.0 14-Cup Food Processor ready to use on the kitchen counter. When not in use, leave it unplugged.

This food processor includes a storage case with lock for safekeeping of blades and discs. Keep the blades and discs out of the reach of children.

All parts except the housing base are dishwasher safe, and we recommend washing them in the dishwasher on the **top rack only**. Due to intense water heat, washing the work bowl, cover and accessories on the bottom rack may cause damage over time. Insert the cover with the feed tube facing up to ensure proper cleaning. (Note: The seal is removable for dishwashing or hand-washing.) Insert the work bowl and pushers upside down for drainage. Remember to unload the dishwasher carefully wherever you place sharp blades and discs.

To simplify cleaning, rinse the work bowl, cover, seal, pusher assembly and blade or disc immediately after use so food won't dry on them. Be sure to place the pushers upside down for drainage. If food lodges in the pusher, remove it by running water through it, or use a bottle brush.

If further cleaning of the cover is necessary after dishwashing or hand-washing, remove the seal and run faucet water pressure directly through the holes in the cover.

If you wash blades and discs by hand, do it carefully. When handling, use the plastic hubs on the blades and discs. Avoid leaving them in soapy water where they may disappear from sight. To clean the metal blade, fill the work bowl with soapy water, hold the blade by its plastic center and move it rapidly up and down on the center shaft of the bowl. Use of a spray attachment is also effective. If necessary, use a brush.

The work bowls are made of durable plastic that is shatter resistant and heat resistant. They should not be placed in a microwave oven.

The housing base may be wiped clean with a soapy, nonabrasive material. Be sure to dry once clean.

Four rubber feet on the underside keep the base from moving on most work surfaces when the machine is processing heavy loads. If the feet leave spots on the counter, spray them with a spot remover and wipe with a damp sponge. If

any trace of the spot remains, repeat the procedure and wipe the area with a damp sponge and nonabrasive cleaning powder.

The Accessory Storage Case is made of a high-impact plastic that has a smooth, easy-to-clean surface. Occasionally, wipe your Accessory Storage Case with a cloth or sponge that has been dipped in warm, soapy water. To remove stubborn spots, use a mild soap solution, then wipe with a damp sponge. **Do not put the Accessory Storage Case in the dishwasher.** Blades, stem adapter and discs should always be clean when they are put into the Accessory Storage Case. The Accessory Storage Case is not meant for temporary storage of soiled blades between periods of use.

**IMPORTANT:** Never store any blade or disc on the motor shaft. No blade or disc should be placed on the shaft except when the processor is about to be used.

**MAINTENANCE:** Any other servicing should be performed by an authorized service representative.

## FOR YOUR SAFETY

Like all powerful electrical appliances, a food processor should be handled with care. Follow these guidelines to protect yourself and your family from misuse that could cause injury.

Handle and store metal blades and discs carefully. Their cutting edges are very sharp.

Always place the stem adapter on the motor shaft before assembling the discs.

Never put blades or discs on the motor shaft until the work bowl is locked in place.

Always be sure that the blade or disc is down on the motor shaft as far as it will go.

Always insert chopping blade and dough blade in the work bowl before putting ingredients in bowl.

When slicing or shredding food, always use the pusher. Never put your fingers or spatula into feed tube.

Always wait for the blade or disc to stop spinning before you remove the pusher assembly or cover from the work bowl.

Always unplug the unit before removing food, cleaning, or putting on or taking off parts.

Always remove work bowl from base of machine before you remove chopping blade or dough blade.



---

## TECHNICAL DATA

The motor in your food processor operates on standard line operating current. The appropriate voltage and frequency for your machine are shown on a label on the bottom of the base. An automatic, temperature-controlled circuit breaker in the motor ensures complete protection against motor burnout. If the processor runs for an exceptionally long time when chopping, mixing or kneading a thick or heavy mixture in successive batches, the motor may overheat. If this happens, the processor will stop. Turn it off and wait for the motor to cool before proceeding. It will usually cool within 10 minutes. In extreme cases, it could take up to an hour. Safety switches prevent the machine from operating when the work bowl or the cover is not locked into position. The motor stops within seconds when the motor is turned off; and when the pusher assembly is removed, a fast-stop circuit also enables the motor to stop within seconds.

Cuisinart offers a Limited Three-Year Warranty on the entire machine.

## TROUBLESHOOTING

### ***Food Processing***

1. **Problem:** The food is unevenly processed.

**Solution:**

- The ingredients should be cut evenly into ½- to 1-inch pieces before processing.
- Process in batches to avoid overloading.

2. **Problem:** Slices are uneven or slanted.

**Solution:**

- Place evenly cut food into the feed tube.
- Apply even pressure on the pusher.

3. **Problem:** Food falls over in feed tube.

**Solution:**

- Large feed tube must be packed full for best results. If processing smaller quantities, use the small feed tube.

4. **Problem:** Some food remains on top of the disc.

**Solution:**

- It is normal for small pieces to remain; cut remaining bits by hand and add to processed ingredients.

### ***Dough Processing***

1. **Problem:** Motor slows down.

**Solution:**

- Amount of dough may exceed maximum

capacity of your food processor. Remove half and process in two batches.

- Dough may be too wet (see number 9). If motor speeds up, continue processing. If not, add more flour, 1 tablespoon at a time, until the motor speeds up. Process until dough cleans the sides of the work bowl.

2. **Problem:** Blade doesn't incorporate ingredients.

**Solution:**

- Always start the food processor before adding liquid. Add liquid in a slow, steady stream, allowing the dry ingredients to absorb it. If too much liquid is added, wait until ingredients in the work bowl have mixed, then add remaining liquid slowly (do not turn off the machine). Pour liquid onto dough as it passes under feed tube opening; do not pour liquid directly onto bottom of the work bowl.

3. **Problem:** Blade rises in work bowl.

**Solution:**

- Blade may not have been pushed down into the lock position before starting the process.
- Excessively sticky dough can cause blade to rise. Reinsert blade and immediately add 2 tablespoons of flour through the feed tube while the machine is running.

4. **Problem:** The large pusher moves when processing dough or other heavy loads.

**Solution:**

- The pusher lock feature, located above the handle, should be pulled out (some vibration is normal).

5. **Problem:** Dough doesn't clean inside of the work bowl.

**Solution:**

- Amount of dough may exceed maximum capacity of your food processor. Remove half and process in two batches.
- Dough may be too dry (see number 8).
- Dough may be too wet (see number 9).

6. **Problem:** Nub of dough forms on top of blade and does not become uniformly kneaded.

**Solution:**

- Stop machine, carefully remove dough, divide it into 3 pieces and redistribute them evenly in the work bowl.

7. **Problem:** Dough feels tough after kneading.

---

**Solution:**

- Divide dough into 2 or 3 pieces and redistribute evenly in bowl. Process 10 seconds or until uniformly soft and pliable.

8. **Problem:** Dough is too dry.

**Solution:**

- While machine is running, add water, 1 tablespoon at a time, until dough cleans the inside of the bowl.

9. **Problem:** Dough is too wet.

**Solution:**

- While machine is running, add flour, 1 tablespoon at a time, until dough cleans the inside of the bowl.

**Technical**

1. **Problem:** The motor does not start.

**Solution:**

- There is a safety interlock to prevent the motor from starting if it is not properly assembled. Make sure the work bowl and work bowl cover are securely locked into position.
- If you are slicing or shredding and the above solution does not work, make sure that the food contents in the feed tube are cut below the maximum fill line so that activation rod can engage the motor.
- If the motor still will not start, check the power cord and outlet.

2. **Problem:** The food processor shuts off during operation.

**Solution:**

- The cover may have become unlocked; check to make sure it is securely in position.
- A safety protector in the motor prevents the motor from overheating, which is caused by excessive strain. Press the Off control button and wait 10 to 15 minutes to allow the food processor to cool off before resuming.

3. **Problem:** The food processor cover becomes unlatched in the back and/or makes a loud noise.

**Solution:**

- The back of the cover becoming unlatched, and any related noise, will not prevent the unit from working. Simply push down to lock the back into position.

4. **Problem:** The motor slows down during operation.

**Solution:**

- This is normal as some heavier loads (e.g., slicing/shredding cheese) may require the motor to work harder. Simply reposition the food in the feed tube and try again.
- The maximum load capacity may have been exceeded. Remove some of the ingredients and continue processing.

5. **Problem:** It is difficult to remove the chopping/mixing blade from the work bowl.

**Solution:**

- These innovative blades have been designed to lock in the work bowl to prevent them from falling out when emptying the contents of the bowl. Using extreme care, use a little extra force to remove the blade.

6. **Problem:** The food processor vibrated/moved around the countertop during processing.

**Solution:**

- Make sure the rubber feet at the bottom of the unit are clean and dry. Also make sure that the maximum load capacity is not being exceeded.
- This is normal as some heavier loads (e.g., slicing/shredding cheese) may require the motor to work harder.

7. **Problem:** The large pusher falls out when the cover is turned upside down.

**Solution:**

- The pusher lock feature, located above the handle, should be pulled out.

---

## WARRANTY

### FULL TWENTY-YEAR MOTOR WARRANTY

### LIMITED THREE-YEAR WARRANTY

This warranty is available to consumers only. You are a consumer if you own a Cuisinart Elite Collection® 2.0 14-Cup Food Processor that was purchased at retail for personal, family or household use. Except as otherwise required under applicable law, this warranty is not available to retailers or other commercial purchasers or owners.

We warrant that your Cuisinart Elite Collection® 2.0 14-Cup Food Processor will be free of defects in materials and workmanship under normal home use for three years from the date of original purchase.

We recommend that you visit our website, [www.cuisinart.com](http://www.cuisinart.com) for a fast, efficient way to complete your product registration. However, product registration does not eliminate the need for the consumer to maintain the original proof of purchase in order to obtain the warranty benefits. In the event that you do not have proof of purchase date, the purchase date for purposes of this warranty will be the date of manufacture.

If your Cuisinart Elite Collection® 2.0 14-Cup Food Processor should prove to be defective within the warranty period, we will repair it, or if we think necessary, replace it. To obtain warranty service, simply call our toll-free number 1-800-726-0190 for additional information from our Consumer Service Representatives, or send the defective product to Consumer Service at Cuisinart, 7475 North Glen Harbor Blvd., Glendale, AZ 85307.

To facilitate the speed and accuracy of your return, please enclose \$10.00 for shipping and handling of the product.

Please pay by check or money order (California residents need only supply proof of purchase and should call 1-800-726-0190 for shipping instructions).

**NOTE:** For added protection and secure handling of any Cuisinart product that is being returned, we recommend you use a traceable, insured delivery service. Cuisinart cannot be held responsible for in-transit damage or for packages that are not delivered to us. Lost

and/or damaged products are not covered under warranty. Please be sure to include your return address, daytime phone number, description of the product defect, product model number (located on bottom of product), original date of purchase, and any other information pertinent to the product's return.

#### **CALIFORNIA RESIDENTS ONLY:**

California law provides that for In-Warranty Service, California residents have the option of returning a nonconforming product (A) to the store where it was purchased or (B) to another retail store that sells Cuisinart products of the same type.

The retail store shall then, at its discretion, either repair the product, refer the consumer to an independent repair facility, replace the product, or refund the purchase price less the amount directly attributable to the consumer's prior usage of the product. If the above options do not result in the appropriate relief to the consumer, the consumer may then take the product to an independent repair facility if service or repair can be economically accomplished. Cuisinart and not the consumer will be responsible for the reasonable cost of such service, repair, replacement, or refund for nonconforming products under warranty.

California residents may also, according to their preference, return nonconforming products directly to Cuisinart for repair, or if necessary, replacement, by calling our Consumer Service Center toll-free at 1-800-726-0190.

Cuisinart will be responsible for the cost of the repair, replacement, and shipping and handling for such products under warranty.

---

## **BEFORE RETURNING YOUR CUISINART PRODUCT**

If you are experiencing problems with your Cuisinart product, we suggest that you call our Consumer Service Center at 1-800-726-0190 before returning the product to be serviced. If servicing is needed, a Representative can confirm whether the product is under warranty and direct you to the nearest service location.

Your Cuisinart Elite Collection® 2.0 14-Cup Food Processor has been manufactured to the strictest specifications and has been designed for use only in 120 volt outlets and only with authorized accessories and replacement parts. This warranty expressly excludes any defects or damages caused by attempted use of this unit with a converter, as well as use with accessories, replacement parts or repair service other than those authorized by Cuisinart. This warranty does not cover any damage caused by accident, misuse, shipment or other than ordinary household use. This warranty excludes all incidental or consequential damages. Some states do not allow the exclusion or limitation of these damages, so these exclusions may not apply to you. You may also have other rights, which vary from state to state.

**Important:** If the nonconforming product is to be serviced by someone other than Cuisinart's Authorized Service Center, please remind the servicer to call our Consumer Service Center at 1-800-726-0190 to ensure that the problem is properly diagnosed, the product is serviced with the correct parts, and the product is still under warranty.

©2019 Cuisinart  
East Windsor, NJ 08520  
Printed in China

19CE064055

G IB-13083-ESP-C

# Cuisinart®

INSTRUCCIONES  
Y LIBRO DE  
RECETAS



Procesadora de alimentos de 14 tazas (3 L)  
Cuisinart Elite Collection® 2.0

Serie FP-14N

Para su seguridad y para disfrutar plenamente de este producto, siempre lea las instrucciones cuidadosamente antes de usarlo.

## CAPACIDADES MÁXIMAS

ALIMENTOS	CAPACIDAD DEL BOL DE 14 TAZAS (3 L)	CAPACIDAD DEL BOL DE 4.5 TAZAS (1 L)
Fruta/verdura/queso rebanado o rallado	14 tazas	N/A
Fruta/verdura/queso picado	12 tazas	3 tazas
Puré de fruta/verdura/queso	12 tazas (volumen procesado: 8 tazas)	3 tazas (volumen procesado: 1½ taza)
Carne, pescado o marisco picado o molido	2¼ libras (1 kg)	½ libra (225 g)
Líquidos fluidos* (por ej. aderezo, sopa, etc.)	10 tazas	3 tazas
Mezcla para pastel	2 tartas de queso de 9 pulgadas (22 cm)  6 capas de pastel de 8 pulgadas (20 cm) (3 paquetes de harina preparada para pastel de 18.5 onzas/535 g)	N/A
Galletas	8 docenas (receta de galletas de chispas de chocolate)	N/A
Pan blanco	6 tazas (625 g) de harina común	N/A
Pan integral	4 tazas (500 g) de harina común	N/A
Mantequilla de frutas secas (por ejemplo maní)	4 tazas	1½ taza

\* Si la preparación contiene huevos (natilla, flan), utilice 2 tazas (475 ml) menos que la capacidad máxima.

# INSTRUCCIONES DE DESEMBALAJE IMPORTANTES

Esta caja incluye la procesadora de alimentos de 14 tazas (3 L) Cuisinart Elite Collection® 2.0 y sus accesorios: dos boles encajados de 14 tazas (3 L) y 4 1/2 tazas (1 L), tapa, juego de empujadores, cuchillas para picar/mezclar grande y pequeña, cuchilla amasadora, adaptador para uso con los discos y la cuchilla pequeña, disco rebanador ajustable, disco triturador/rallador reversible, espátula y manual de instrucciones/libro de recetas.

**PRECAUCIÓN: LAS HERRAMIENTAS DE CORTE SON MUY AFILADAS.** Para prevenir las heridas, desembale el aparato cuidadosamente, siguiendo las instrucciones siguientes:

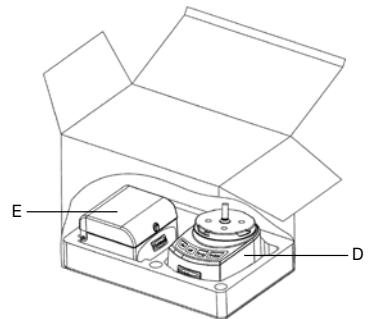
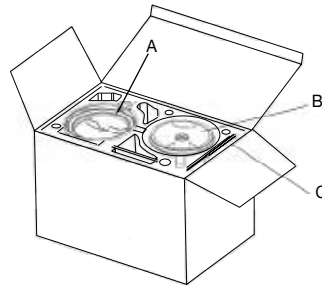
1. Ponga la caja sobre una superficie llana y amplia, como una mesa o una encimera. Asegúrese de que la caja esté recta.
2. En la caja, encontrará un bloque de espuma de poliestireno que contiene algunas de las piezas de la procesadora.
3. Primero, retire el manual/libro de receta, la herramienta de limpieza y la tapa del bol (A). Retire el empujador grande y el empujador pequeño.
4. Retire los boles (B) y la espátula (C) del otro lado del bloque de espuma de poliestireno.
5. Retire el bloque de espuma de poliestireno y el marco de cartón.
6. Retire el bloque-motor (D) de la caja. Instale los boles sobre la base, introduciéndolos sobre el árbol del motor y girando en sentido antihorario para sujetar.
7. Ponga el aparato sobre la encimera o la mesa. Lea todas las instrucciones de ensamblaje cuidadosamente antes de usar el aparato.
8. La caja de almacenaje (E) que contiene las cuchillas y los discos está en el otro lado de la caja.
9. Saque la caja de almacenaje de la caja, ábrala y retire el bloque de espuma de poliestireno. Adentro de la caja de almacenaje encontrará la cuchilla picadora/mezcladora pequeña (F), la cuchilla amasadora de metal (G), la cuchilla picadora/mezcladora grande (H) y el adaptador para disco (I). **ALCE LAS CUCHILLAS CUIDADOSAMENTE,**

**SOSTENIÉNDOLAS POR EL EJE. NUNCA TOQUE LOS FILOS DE LAS CUCHILLAS; SON MUY AFILADOS.**

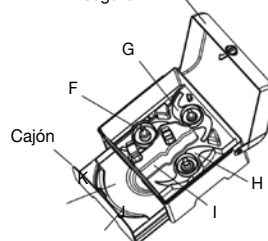
10. Abra el cajón; adentro encontrará el disco rebanador ajustable (J). **ÁLCELO CON SUMO CUIDADO, SOSTENIÉNDOLO POR EL EJE DE PLÁSTICO. NO TOQUE LOS FILOS. SON MUY CORTANTES.** El disco triturador/rallador reversible (K) también está adentro del cajón. Retire el disco rebanador y el disco rallador, sosteniéndolos por el eje de plástico. Guarde los accesorios en la caja de almacenaje cuando no estén en uso.

11. Le aconsejamos que guarde el material de embalaje; puede ser útil.

**NOTA:** le aconsejamos que llene el formulario de registro disponible en [www.cuisinart.com](http://www.cuisinart.com) a fin de facilitar la verificación de la fecha de



Caja de almacenaje con seguro



# IMPORTANTES MEDIDAS DE SEGURIDAD

Siempre que use aparatos eléctricos, debe tomar precauciones básicas de seguridad, incluso las siguientes:

## Preparación:

1. Lea todas las instrucciones.
2. **Las cuchillas y los discos son muy filosos; manipúlelas con sumo cuidado.**
3. **Apague (“OFF”) y desenchufe el aparato cuando no está en uso, antes de instalar/sacar piezas y antes de limpiarlo. Para desenchufar, agarre el enchufe y jale de la toma de corriente. Nunca jale el cable.**
4. No lo utilice en exteriores.
5. No permita que el cable cuelgue del borde de la encimera o de la mesa, ni que haga contacto con superficies calientes.
6. No utilice este aparato si el cable o el enchufe están dañados, si no funciona correctamente, si está dañado, o después que se haya caído, incluso en el agua; llame al servicio de atención al cliente del fabricante para obtener información sobre cómo hacer revisar, reparar o ajustar el aparato.

## Funcionamiento

1. Para reducir el riesgo de herida seria o de daño al aparato, mantenga las manos y los utensilios alejados de la cuchilla o del disco durante el funcionamiento. Se podrá usar una espátula de goma, siempre que el aparato esté apagado.
2. Evite el contacto con las piezas móviles. Nunca introduzca la mano en la boca de llenado; siempre use el empujador.
3. Espere hasta que el motor se haya detenido completamente antes de quitar la tapa. Si el motor no se detiene dentro de 4 segundos después de sacar el juego de empujadores, desconecte el aparato y llame al 1-800-726-0190 para asistencia. No utilice el aparato.
4. No guarde las cuchillas o los discos sobre el árbol del motor. Para prevenir el riesgo de heridas, nunca instale la cuchilla o el disco antes de haberse asegurado de que

el bol esté debidamente instalado. Guarde los accesorios fuera del alcance de los niños.

5. Asegúrese de que la tapa esté debidamente puesta y que el empujador esté completamente engranado antes de poner el aparato en marcha.
6. No intente forzar el mecanismo de seguridad de la tapa.

## Limpieza

Para reducir el riesgo de electrocución, no coloque el bloque-motor en agua u otro líquido.

## General

1. Los niños o las personas que carezcan de la experiencia o de los conocimientos necesarios para manipular el aparato, o aquellas cuyas capacidades físicas, sensoriales, o mentales estén limitadas, no deben utilizar el aparato sin la supervisión o la dirección de una persona responsable por su seguridad. Supervise el uso de este aparato cuidadosamente cuando sea usado por o cerca de niños. No permita que los niños jueguen con este aparato.
2. No utilice este aparato bajo el efecto del alcohol u otra sustancia que afecte su tiempo de reacción o su percepción.
3. Este aparato está homologado por UL para uso doméstico. Utilícelo únicamente con el propósito para el cual fue diseñado, según se describe en este manual de instrucciones. No utilice el aparato para ningún otro fin que no sea el indicado.
4. El uso de accesorios no recomendados o vendidos por Cuisinart puede provocar un incendio, un choque eléctrico o una herida.
5. Nunca guarde el aparato con el juego de empujadores en la posición de bloqueo.
6. La potencia nominal máxima (13 amp) está basada en el accesorio que consume más electricidad; otros accesorios pueden utilizar menos electricidad.
7. No haga funcionar el aparato bajo o adentro de un armario. **Siempre desconecte el aparato antes de guardarlo en un armario.** Dejar el aparato conectado presenta un riesgo de incendio, especialmente si éste toca las paredes o la puerta del armario cuando cierra.

**AVISO:** para evitar el riesgo de lesiones o daños al bol o a la tapa, no llene el bol por encima de la línea de llenado máximo, o más allá de su capacidad.



# GUARDE ESTAS INSTRUCCIONES

## PARA USO DOMÉSTICO SOLAMENTE

### ADVERTENCIA: RIESGO DE INCENDIO O ELECTROCUCIÓN



El símbolo representado por un relámpago con punta de flecha dentro de un triángulo equilátero tiene como fin alertar al usuario de la presencia de voltajes peligrosos no aislados en el interior del aparato, los cuales pueden ser de suficiente magnitud para constituir un riesgo de incendio o electrocución.



El signo de exclamación dentro de un triángulo equilátero tiene como fin alertar al usuario de la presencia de instrucciones importantes de operación y mantenimiento (servicio) en la documentación que acompaña al equipo.

### CONEXIÓN CON TIERRA

El cable proveído con este aparato es corto, para reducir el peligro de que alguien se enganche o tropiece con un cable más largo.

Se podrá usar una extensión eléctrica, pero con cuidado.

La clasificación nominal de la extensión debe ser por lo menos igual a la del aparato. Es importante colocar la extensión sobre la encimera o la mesa de tal forma que niños no puedan jalarla o tropezar con ella.

### AVISO

El cable de este aparato está dotado de una clavija polarizada (una pata es más ancha que otra). Como medida de seguridad, se podrá enchufar de una sola manera en la toma de corriente polarizada. Si no entrara en la toma de corriente, invíértala. Si aún no entrara completamente, comuníquese con un electricista. No intente modificarla.

### ÍNDICE

Instrucciones de desembalaje .....	3
Medidas de seguridad importantes .....	4
Piezas y características.....	6
Instrucciones de ensamblaje .....	8
Botones de control.....	9
Funciones.....	10
Guía de procesado.....	12
Limpieza y mantenimiento .....	17
Para su seguridad .....	17
Especificaciones técnicas.....	18
Resolución de problemas .....	18
Garantía.....	20
Recetas .....	23

	<b>ADVERTENCIA</b> RIESGO DE INCENDIO O ELECTROCUCIÓN NO LO ABRA	
<b>ADVERTENCIA: PARA REDUCIR EL RIESGO DE INCENDIO O ELECTROCUCIÓN, NO DESARME EL CUERPO DEL APARATO. ESTE APARATO NO CONTIENE PIEZAS QUE PUEDAN SER REPARADAS POR EL USUARIO. LAS REPARACIONES DEBEN SER EFECTUADAS POR TÉCNICOS AUTORIZADOS SOLAMENTE.</b>		

---

# PIEZAS Y CARACTERÍSTICAS

## 1. Base/bloque-motor de fundición

Potente motor de 1300 vatios integrado en una robusta base, capaz de procesar una gran variedad de recetas.

## 2. Controles electrónicos

Panel de control fácil de limpiar con botones "ON" (encendido), "OFF" (apagado), "PULSE" (pulso) y "DOUGH" (amasado). Luz LED azul, para un aspecto contemporáneo.

## 3. Boles

Versátil sistema de boles encajados que se adaptan a sus necesidades.

El sistema hermético Seal Tight™ Advantage maximiza la capacidad de cada bol, asegura máxima seguridad durante el procesado y mantiene los ingredientes adentro del bol. Los boles están asegurados por un exclusivo sistema de bloqueo que permite vaciar los ingredientes sin que los boles se separen.

Los boles están hechos de un material resistente y duradero e incluyen cavidades para los dedos (a), marcas de medición (b) y pico vertedor (c) para mayor comodidad.

## 4. Tapa con boca de llenado extra ancha

El sistema hermético SealTight™ Advantage sella la tapa, lo que permite llenar los boles hasta su máxima capacidad sin preocuparse por los derrames. Sistema de cierre con botones de liberación (a) y sistema de bloqueo de seguridad (b). El sello se puede sacar para lavarse a mano o en el lavavajillas.

Ancha boca de llenado Supreme® (c), perfecta para procesar verduras/frutas enteras.

## 5. Juego de empujadores

Dos empujadores encajados, uno pequeño (a) y uno grande (b), permiten procesar una gran variedad de alimentos. Un sistema de bloqueo (c) ubicado en el asa permite asegurar el empujador grande durante las tareas pesadas, como el amasado.

## 6. Cuchilla picadora/mezcladora pequeña

Resistente cuchilla de acero inoxidable, para uso con el bol pequeño. Un sistema

de bloqueo mantiene la cuchilla en posición al vaciar el bol.

## 7. Cuchilla picadora/mezcladora grande

Resistente cuchilla de acero inoxidable, para uso con el bol grande.

## 8. Cuchilla amasadora

Perfecta para preparar una gran variedad de masas. Para uso con el bol grande únicamente.

## 9. Disco rebanador ajustable

Versátil disco ajustable que produce rebanadas de 0 a 10 mm. Para uso con el bol grande solamente.

## 10. Disco triturador/rallador reversible

Práctico disco doble uso que produce un rallado fino o medio. Para uso con el bol grande solamente.

## 11. Adaptador

Pieza removible que permite conectar los discos y la cuchilla pequeña al árbol del motor.

## 12. Espátula

Diseño exclusivo.

## 13. Cable retráctil (no ilustrado)

Se guarda fácilmente en la base, para encimeras más ordenadas.

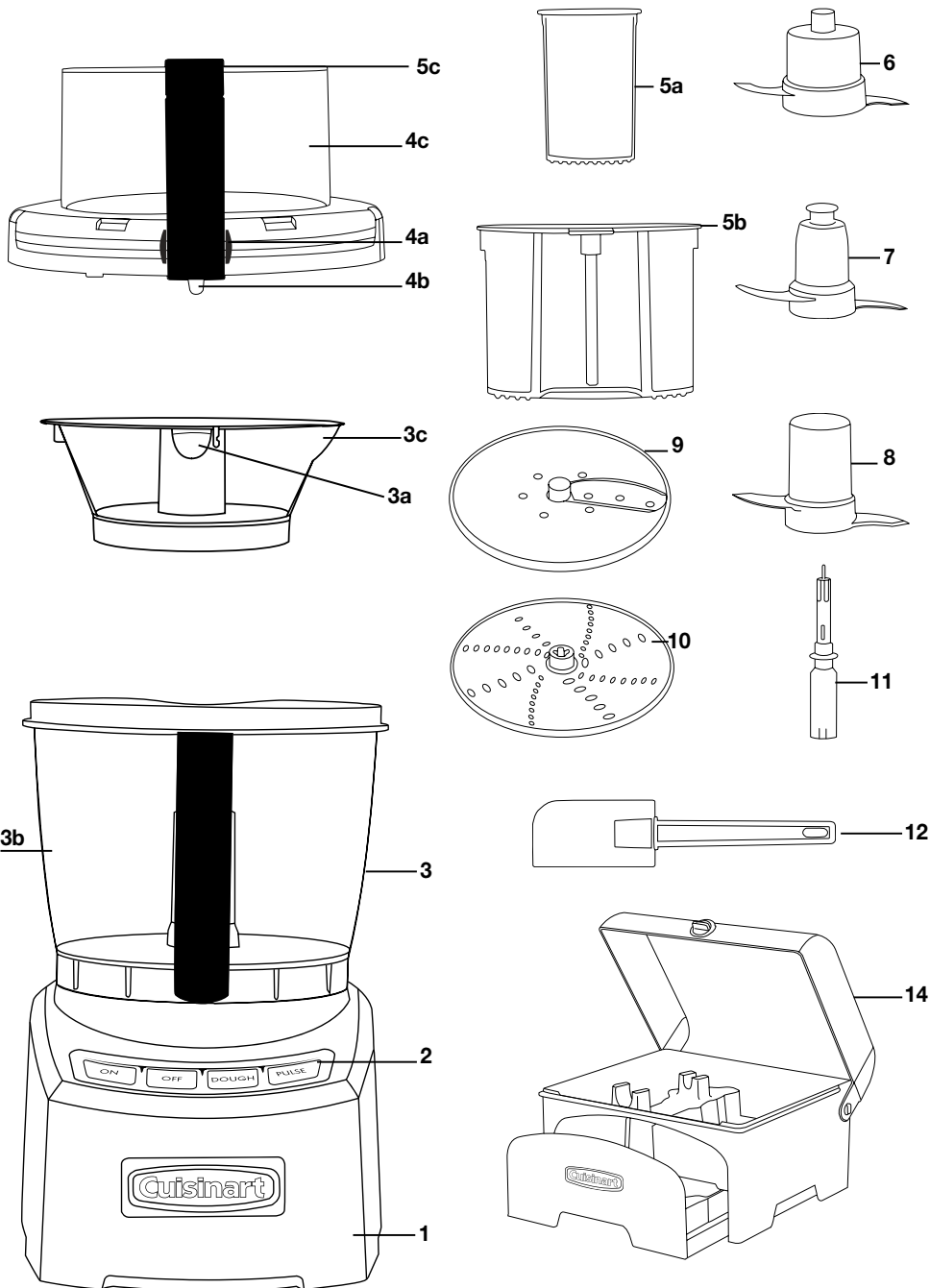
**Nota:** no lo jale más allá de la marca roja.

## 14. Caja de almacenaje

Cómoda caja con seguro para guardar las cuchillas y los discos.

## 15. Sin BPA (no ilustrado)

Ninguna de las piezas en contacto con los alimentos/líquidos contiene bisfenol A (BPA).



# INSTRUCCIONES DE ENSAMBLAJE

## Antes del primer uso:

Antes de usar el aparato por primera vez, lave todas las piezas removibles según se describe en la página 17.

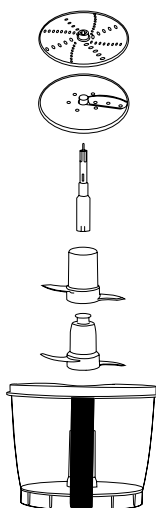
1. Ponga la procesadora sobre una superficie llana y seca. No enchufe el aparato hasta que esté completamente ensamblado.

**Nota: el bol pequeño siempre debe usarse adentro del bol grande.**

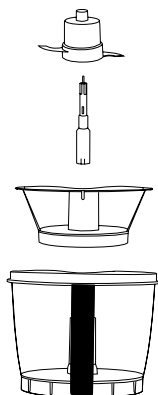
2. Instale el bol grande sobre la base y gírelo en sentido antihorario para sujetarlo.

Si desea utilizar el bol pequeño, agárrelo por las cavidades para dedos e instálolo en el bol grande, el pico vertedor apuntando hacia el punto opuesto al asa. Empuje hacia abajo para sujetarlo.

Bol grande & accesorios



Bol pequeño & accesorios



## Uso de las cuchillas:

El sistema de bloqueo de seguridad que mantiene las cuchillas en su puesto durante el procesado y al vaciar los boles no las sujeta permanentemente. **Tenga cuidado al vaciar los boles. Siempre asegúrese de que la cuchilla esté sujeta antes de voltear el bol.**

**Nota: no retire la cuchilla si el bol contiene líquido hasta más arriba del eje de la misma; esto provocará un derrame.**

## Uso de la cuchilla grande:

Sostenga la cuchilla por el eje de plástico e insértela cuidadosamente sobre el árbol motor. Gírela hasta que encaje. Empuje hacia abajo para sujetarla. **Siempre asegúrese de que la cuchilla esté sujeta antes de voltear el bol.** (para retirar la cuchilla, primero retire el bol de la base y póngalo sobre una superficie plana. Repose el talón de la mano sobre la orilla del bol y alce cuidadosamente la cuchilla).

## Uso de la cuchilla amasadora:

Para uso en el bol grande únicamente. Instale la cuchilla sobre el eje y gírela hasta que encaje.

## Uso de la cuchilla pequeña:

Para uso en el bol pequeño. Introduzca el adaptador sobre el árbol del motor, empujando para sujetarlo. Sostenga la cuchilla por la parte de plástico e insértela cuidadosamente sobre el adaptador. Gírela hasta que encaje y oprima para sujetarla.

**Siempre asegúrese de que la cuchilla esté sujeta antes de voltear el bol.**

(para retirar la cuchilla, primero retire el bol de la base y póngalo sobre una superficie plana. Repose el talón de la mano sobre la orilla del bol y alce cuidadosamente la cuchilla).

## Discos

Para uso en el bol grande únicamente. Introduzca el adaptador sobre el árbol del motor, empujando para sujetarlo. Disco rebanador ajustable: escoja el grosor de las rebanadas, girando el eje del disco, antes de instalarlo. Agarre el disco por el eje de plástico e insértelo cuidadosamente sobre el adaptador.

Disco triturador/rallador reversible: el lado que desea usar debe apuntar hacia arriba. Para retirar el disco, agárrelo por el eje de plástico.

## Tapa

Cierre la tapa, colocándola encima del bol grande y oprima en la parte delantera y la parte trasera de la misma hasta que quede firme en su lugar.

También se podrá asegurar la parte trasera primero, luego la parte delantera. Asegúrese de que ambos lados estén asegurados.

Para sacar la tapa, oprima ambos lados del botón de liberación ubicado en el asa y álcela.

**Nota: la tapa ingresará sobre el bol grande sin importar la combinación de boles usados. Puede que sea un poco difícil instalarla al principio. Se volverá más fácil cada vez que use el aparato.**

Inserte el juego de empujadores en la boca de llenado.

Enchufe el aparato. Ahora está listo para el uso.

**Nota: el aparato no se pondrá en marcha a menos que el bol, la tapa y los empujadores estén debidamente instalados.**

## CONTROLES

### On (encendido continuo)

1. Ensamble el aparato según se describió en las instrucciones de ensamblaje; la pantalla LED se encenderá.
2. Ponga los ingredientes en el bol o introdúzcalos en la boca de llenado.
3. Presione el botón ON; la luz LED azul se encenderá y el aparato se pondrá en marcha.
4. Para apagar el aparato, oprima el botón OFF.

### PULSE (encendido intermitente)

La función de pulso le permitirá obtener resultados más homogéneos y evitará que procese excesivamente los ingredientes. Salvo indicación contraria, utilice pulsaciones cortas de un segundo.

Ensamble el aparato según se describió en las instrucciones de ensamblaje. Ponga los ingredientes en el bol. Oprima repetidamente el botón PULSE, hasta obtener la consistencia deseada. La luz LED azul se encenderá cada vez que oprima el botón PULSE.

### DOUGH (amasado)

1. Instale la cuchilla amasadora en el bol grande, según se describió en las instrucciones de ensamblaje. Agregue los ingredientes.
2. Cierre la tapa.
3. Oprima el botón DOUGH; la luz LED azul se encenderá.
4. Oprima entonces el botón ON y procese los ingredientes hasta obtener la consistencia deseada.
5. Para apagar el aparato, oprima el botón OFF.

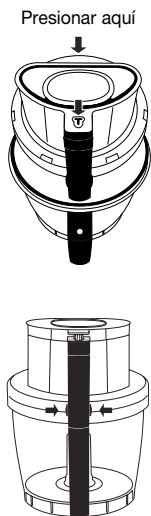
**Nota: solamente utilice el bol grande para amasar.**

## USO DE LOS BOLES

El versátil sistema de boles encajados es perfecto para todas sus necesidades. Para maximizar la eficacia del sistema y ahorrar tiempo durante la preparación, le aconsejamos que utilice los boles en orden, del más pequeño al más grande. Por ejemplo, si una receta requiere que utilice el bol grande y el bol pequeño, empiece la preparación con el bol pequeño. Podrá así picar y reservar los ingredientes en el bol pequeño, para después usarlos en la receta.

Los boles están asegurados por un exclusivo sistema de bloqueo que permite vaciar los ingredientes sin que se separen. Para vaciar el bol pequeño, puede agarrar éste por las cavidades para dedos y alzarlo, o bien agarrar el bol grande y vaciar los ingredientes.

Algunos alimentos duros pueden rallar la superficie de los boles; esto no afectará su rendimiento.



---

## **FUNCIONES**

### **Cómo picar**

**(usando la cuchilla picadora/  
mezcladora)**

- Pelar las frutas/verduras y retirar las partes duras (corazón, pepas, semillas, huesos, etc.). Cortar los alimentos en pedazos de ½-1 pulgada (1.5-2.5 cm). Obtendrá resultados más homogéneos si los pedazos son del mismo tamaño.
- Pulse repetidamente hasta obtener la consistencia deseada. Mantener oprimido el botón PULSE u oprimir el botón ON para obtener una textura más fina. Averigüe la consistencia a menudo y raspe el recipiente con una espátula si es necesario.

### **Cómo hacer puré**

**(usando la cuchilla picadora/  
mezcladora)**

- Puré de frutas/verduras crudas o cocinadas: Cortar los ingredientes en pedacitos de ½-1 pulgada (1.5-2.5 cm). Obtendrá resultados más homogéneos si los pedazos son del mismo tamaño. Oprimir el botón PULSE repetidamente para picar grueso, y luego procesar con la función ON hasta obtener puré. Raspar el bol si es necesario. Nota: no utilice este método para preparar puré de patatas. (ver la receta del puré de patatas en la página 71 del libro de recetas).
- Para preparar crema de verdura: Colar la sopa, reservando el líquido, y licuar solamente las verduras. Después, agregar un poco del caldo y seguir procesando.

### **Cómo amasar**

**(usando la cuchilla amasadora o la  
cuchilla picadora)**

- Utilizar solamente la función DOUGH para amasar. Utilizar la cuchilla amasadora para preparar masa fermentada (masa de pan) y la cuchilla picadora/mezcladora grande para preparar masa de hojaldre.
- Le aconsejamos que sujete los empujadores con el sistema de bloqueo que se encuentra en el asa.
- Utilizar solamente el bol grande para amasar.

### **Cómo rebanar**

**(usando el disco rebanador ajustable)**

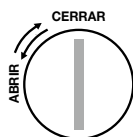
- Para lograr resultados homogéneos, apretujar los alimentos en la boca de llenado. Para procesar pequeñas cantidades, utilizar la boca de llenado pequeña. Para rebanar queso, siempre utilizar la boca de llenado grande. La presión necesaria dependerá de la consistencia de los ingredientes. Ejercer presión ligera para rebanar alimentos suaves, presión moderada para rebanar alimentos firmes y presión firme para rebanar ingredientes duros. Ejercer siempre presión uniforme.
- Para preparar Juliana de frutas/verdura: disponer los alimentos horizontalmente en la boca de llenado y procesar con el disco rebanador, ejerciendo presión uniforme. Retirar las rodajas del bol y disponerlas verticalmente en la boca de llenado pequeña. Procesar otra vez, ejerciendo presión uniforme, para cortar las rodajas en tiras. Cuisinart también ofrece un disco para cortar en Juliana (modelo FP-14JNDISC) y un disco para cortar en papas a la francesa (modelo FP-14FFDISC). Comuníquese con nuestro servicio de atención al cliente para pedir estos accesorios opcionales.
- Para cortar frutas/vegetales en rodajas: Cortar la extremidad inferior de la fruta/vegetal e introducirla en la boca de llenado, el lado cortado primero. Si no cabe, cortar a la mitad o en cuartos. Procesar, ejerciendo presión uniforme.
- Para rebanar pequeños alimentos como champiñones, rábanos o fresas: cortar ambas extremidades de la fruta/hortaliza e introducirla verticalmente en la boca de llenado. Utilizar la boca de llenado pequeña si los alimentos caben en ésta.
- Refrigerar o congelar brevemente el queso antes de rebanarlo.

### **Cómo triturar/rallar**

**(usando el disco triturador/rallador  
reversible)**

- Para lograr resultados homogéneos, apretujar los alimentos en la boca de llenado. Para procesar pequeñas cantidades, utilizar la boca de llenado pequeña. Para rebanar queso, siempre utilizar la boca de llenado grande. La presión necesaria dependerá de la consistencia de los ingredientes. Ejercer presión ligera para rebanar alimentos suaves,

presión moderada para rebanar alimentos firmes y presión firme para rebanar ingredientes duros. Ejercer siempre presión uniforme.



- Para rallar col, lechuga y otras hortalizas de hoja: Formar un rollo de hojas. Introducir el rollo verticalmente en la boca de llenado. Procesar, ejerciendo presión uniforme.
- Refrigerar o congelar brevemente el queso antes de rallarlo.

## Batir

• Cuisinart también ofrece un disco batidor para batir claras de huevo, crema, etc. Para pedir el disco batidor (modelo FP-14WHIP), comuníquese con nuestro servicio de atención al cliente.

## CAJA DE ALMACENAJE

### Funcionamiento del mecanismo de cierre

Para abrir la caja, gire la perilla en sentido antihorario. Alce cuidadosamente la cubierta transparente. No intente abrir la caja cuando la perilla está en posición cerrada. Para poner seguro a la caja, cierre cuidadosamente la cubierta y gire la perilla en sentido horario.

## Ubicación de los accesorios

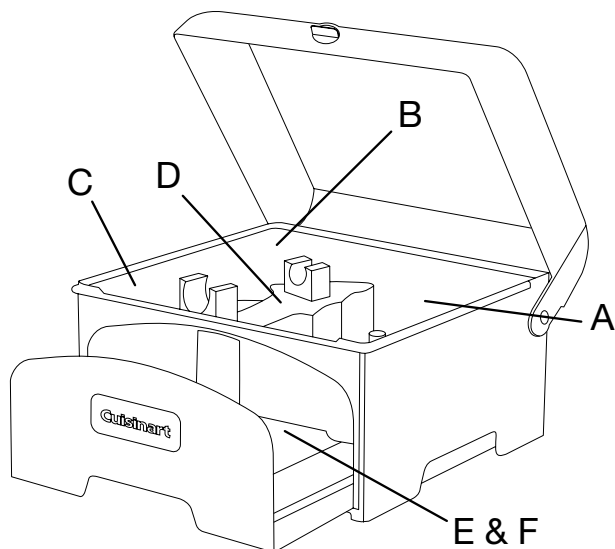
La parte superior de la caja de almacenaje contiene la cuchilla picadora grande (A), en la cavidad derecha, la cuchilla amasadora (B) en la cavidad trasera, y la cuchilla picadora pequeña (C) en la cavidad izquierda. Sostenga cada accesorio cuidadosamente por el eje de plástico. **ADVERTENCIA: NO TOQUE LOS FILOS DE LAS CUCHILLAS DE METAL. SON MUY FILUDOS.** El adaptador (D) se encuentra en la larga cavidad central. La parte estrecha de plástico debe apuntar hacia el fondo.

Dibujos en cada cavidad enseñan la ubicación correcta de cada cuchilla.

El cajón de la caja de almacenaje contiene los discos. El disco triturador/rallador reversible (E) debe guardarse primero (en cualquier de los dos lados). El disco rebanador ajustable (F) se guarda encima, el eje apuntando hacia arriba. Las palabras "shredding" (disco rallador) y "slicing" (disco rebanador) están impresas en el cajón.

Sostenga los discos cuidadosamente por el eje para colocarlos en o retirarlos del cajón.

**ADVERTENCIA: LOS FILOS DE LOS DISCOS SON MUY FILOSOS; NO LOS TOQUE.**



# GUÍA DE PROCESADO

ALIMENTOS	ACCESORIO	PROCESADO	RINDE	MODO DE EMPLEO
<b>FRUTAS</b> Manzanas	Cuchilla picadora	Pedacitos	1 libra (455 g) = 3 tazas	Cortar en pedazos de 1 pulgada (2.5 cm); pulsar para picar grueso – procesar para picar fino.
	Cuchilla picadora	Puré	1 libra (455 g) = 3 tazas	Para preparar compota de manzana: pelar y cocer las manzanas; procesar hasta obtener la consistencia deseada.
	Disco rebanador Disco triturador/ rallador	Rodajas Rallado fino/medio	1 manzana = ¾ taza 1 manzana = ¾ taza	Presión moderada Presión moderada
Aguacates	Cuchilla picadora Cuchilla picadora	Pedacitos Puré	1 mediano = 1 taza 1 mediano = 1 taza	Cortar en pedazos de 1 pulgada (2.5 cm); pulsar. Cortar en pedazos de 1 pulgada (2.5 cm); procesar hasta obtener la consistencia deseada.
Bananos	Cuchilla picadora Disco rebanador	Puré Rodajas	3 medianos = 1 taza 1 libra (455 g) = 2 tazas	Utilizar bananos maduros; procesar hasta obtener la consistencia deseada. Utilizar bananos firmes; procesar, ejerciendo presión ligera.
Frutas del bosque	Cuchilla picadora	Puré	1 pinta de frutas frescas = 2 tazas; 10 onzas (285 g) de frutas congeladas = 1½ taza 1 pinta = 2 tazas	Procesar hasta obtener puré. Colar el puré para eliminar las semillas. Descongelar las frutas congeladas.
	Disco rebanador	Rodajas		Fresas: retirar el tallo y apilar horizontalmente en la boca de llenado. Procesar, ejerciendo presión moderada.
Coco	Cuchilla picadora	Pedacitos	1 mediano = 4 tazas	Cortar en pedazos de 1 pulgada (2.5 cm); pulsar para picar grueso. Procesar para picar fino.
	Disco triturador/ rallador	Rallado fino/medio	1 mediano = 4 tazas	Cortar en pedazos; procesar, ejerciendo presión moderada.
Kiwis	Disco rebanador	Rodajas	2 kiwis = ¾ taza	Refrigerar y pelar; procesar, ejerciendo presión ligera.
Mangos	Cuchilla picadora	Pedacitos	1 mediano = ¾–1 taza	Cortar en pedazos de 1 pulgada (2.5 cm); pulsar.
	Cuchilla picadora	Puré	1 mediano = ¾–1 taza	Cortar en pedazos de 1 pulgada (2.5 cm); procesar hasta obtener la consistencia deseada.
Duraznos/ Nectarinas	Cuchilla picadora	Pedacitos	1 libra (455 g) = 2–2½ tazas	Cortar en pedazos de 1 pulgada (2.5 cm); pulsar.
	Cuchilla picadora	Puré	1 libra (455 g) = 2–2½ tazas	Cortar en pedazos de 1 pulgada (2.5 cm); procesar hasta obtener la consistencia deseada.
	Disco rebanador	Rodajas	1 libra (455 g) = 2–2½ tazas	Quitar el hueso. Procesar, ejerciendo presión ligera.
Cítricos (limones, limas/limones verdes, naranjas)	Cuchilla picadora	Pedacitos	Frutas medianas: 1 limón = 2–3 cucharaditas de ralladura; 1 lima/limón verde = 1 cucharadita de ralladura;	Ralladura: pelar la cáscara con un pelador de vegetales; procesar. Para obtener una ralladura más fina, procesar con un poco de azúcar.
	Disco rebanador	Rodajas	1 naranja = 1½ cucharada de ralladura	Cortar cada lado de la fruta y poner verticalmente en la boca de llenado; procesar, ejerciendo presión moderada. Procesar, ejerciendo presión moderada.
Frutas pasas (pegajosas)	Cuchilla picadora	Pedacitos	1 libra (455 g) = 2½ tazas	Refrigerar. Agregar un poco de la harina de la receta al bol. Pulsar hasta obtener la consistencia deseada.
<b>VERDURAS</b> Judías verdes, habichuelas	Cuchilla picadora	Puré	1 taza = ½ taza de puré	Cocer; procesar hasta obtener la consistencia deseada.
	Disco rebanador	Rodajas	1 libra (455 g) = 3 tazas	"Corte francés": limpiar; apilar horizontalmente en la boca de llenado. Procesar, ejerciendo presión ligera.
Brécol/Coliflor	Cuchilla picadora	Pedacitos	1 libra/455 g (crudo) = 2 tazas	Cortar en pedazos de 1 pulgada (2.5 cm); pulsar.
	Cuchilla picadora	Puré	1 libra/455 g (cocinado) = 1 taza	Cortar en pedazos de 1 pulgada (2.5 cm); procesar hasta obtener la consistencia deseada.
	Disco rebanador	Rodajas	Tallos solamente	Pelar y cortar los tallos. Procesar, ejerciendo presión moderada.
	Disco triturador/ rallador	Rallado fino/medio	Tallos solamente	Pelar y cortar los tallos. Procesar, ejerciendo presión moderada.



ALIMENTOS	ACCESORIO	PROCESADO	RINDE	MODO DE EMPLEO
Col	Cuchilla picadora	Pedacitos	2 libras (910 g) = 8 tazas	Cortar en pedazos de 1 pulgada (2.5 cm); pulsar.
	Disco rebanador	Rodajas	2 libras (910 g) = 8 tazas	Cortar en cuartos y quitar el corazón. Procesar, ejerciendo presión moderada. Utilizar el disco rebanador para preparar ensalada de col.
	Disco triturador/rallador	Rallado medio	2 libras (910 g) = 8 tazas	Utilizar el disco triturador/rallador para rallar muy fino.
Zanahorias	Cuchilla picadora	Pedacitos	1 libra (455 g) = 3 tazas	Cortar en pedazos de 1 pulgada (2.5 cm); pulsar hasta obtener la consistencia deseada.
	Cuchilla picadora	Puré	2 medianas = ½ taza de puré	Procesar para hacer puré.
	Disco rebanador	Rodajas	1 libra (455 g) = 3 tazas	Rodajas pequeñas: limpiar; disponer verticalmente en la boca de llenado. Lonchas largas: cortar en pedazos; disponer horizontalmente en la boca de llenado. Procesar, ejerciendo presión moderada a firme.
	Disco triturador/rallador	Rallado fino/medio	1 libra (455 g) = 2½ tazas	Ralladura pequeña: limpiar; disponer verticalmente en la boca de llenado. Ralladura larga: cortar en pedazos; disponer horizontalmente en la boca de llenado. Procesar, ejerciendo presión moderada a firme.
Jengibre	Cuchilla picadora	Pedacitos	1 pedazo de 1 pulgada (2.5 cm) = 1 cucharada	Pelar; cortar en trocitos de ½ pulgada (1.5 cm). Encender la máquina y echar en la boca de llenado; procesar hasta que esté finamente picado.
	Disco rebanador	Rodajas	4 onzas (115 g) = ½ taza	Pelar; disponer verticalmente en la boca de llenado.
	Disco triturador/rallador	Rallado fino/medio	4 onzas (115 g) = ½ taza	Procesar, ejerciendo presión moderada. Pelar; disponer verticalmente en la boca de llenado. Procesar, ejerciendo presión moderada.
Hierbas frescas	Cuchilla picadora	Pedacitos	1 taza = ½ taza	Las hierbas, el bol y las cuchillas deben estar limpios y secos. Pulsar para picar grueso. Procesar para picar fino. Las hierbas picadas se podrán conservar en el refrigerador durante 10 días, en una bolsa hermética.
Jalapeño	Cuchilla picadora	Pedacitos	1 mediano = 3 cucharadas	Quitar el tallo y las semillas. Encender la máquina y echar en la boca de llenado; procesar para picar.
	Disco rebanador	Rallado medio	1 mediano = ¼ taza	Quitar el tallo y las semillas. Cortar ambos lados; procesar, usando presión moderada. Rodajas cortas: disponer verticalmente en la boca de llenado; rodajas largas: disponer horizontalmente en la boca de llenado.
Puerro	Cuchilla picadora	Pedacitos	1 libra (455 g) = 2 tazas	Lavar bien; tirar las partes de color verde oscuro. Cortar en pedazos de 1 pulgada (2.5 cm); pulsar.
	Disco rebanador	Rodajas	1 libra (455 g) = 2 tazas	Limpia bien. Disponer verticalmente en la boca de llenado; presión moderada. Lonchas largas: cortar en pedazos; disponer horizontalmente en la boca de llenado. Procesar, ejerciendo presión moderada.
Champiñones/ Hongos	Cuchilla picadora	Pedacitos	1 libra = 6 tazas	Cortar en pedazos uniformes; pulsar.
	Disco rebanador	Rodajas	1 libra = 5 tazas	Apretujar en la boca de llenado. Procesar, ejerciendo presión ligera.
	Disco triturador/rallador	Rallado fino/medio	1 libra = 5 tazas	Apretujar en la boca de llenado. Procesar, ejerciendo presión ligera.
Cebollas	Cuchilla picadora	Pedacitos	1 libra (455 g) = 4½–5 tazas	Cortar en pedazos de 1 pulgada (2.5 cm); pulsar.
	Disco rebanador	Rodajas	1 mediana = ¾–1 taza	Limpia; poner en la boca de llenado. Procesar, ejerciendo presión moderada.
Pimientos dulces	Cuchilla picadora	Pedacitos	1 libra (455 g) = 4½–5 tazas	Cortar en pedazos de 1 pulgada (2.5 cm); pulsar.
	Disco rebanador	Rodajas	1 libra (455 g) = 3 tazas	Quitar el tallo y las semillas. Cortar ambos lados; procesar, usando presión moderada. Rodajas finas: disponer verticalmente en la boca de llenado. Rodajas largas: disponer horizontalmente en la boca de llenado.

ALIMENTOS	ACCESORIO	PROCESADO	RINDE	MODO DE EMPLEO
Pepinillos en vinagre	Cuchilla picadora Disco rebanador	Pedacitos Rodajas	1 mediano = $\frac{3}{4}$ taza 1 mediano = $\frac{3}{4}$ taza	Cortar en pedazos de 1 pulgada (2.5 cm); pulsar. Rodajas pequeñas: introducir verticalmente en la boca de llenado; rodajas largas: introducir horizontalmente en la boca de llenado. Procesar, ejerciendo presión moderada.
Papas/Patatas y otros tubérculos	Cuchilla picadora Cuchilla picadora  Disco rebanador   Disco triturador/ rallador	Pedacitos Puré  Rodajas   Rallado fino/medio	1 libra (455 g) = $3\frac{1}{2}$ -4 tazas  1 taza (cocida) (pedazos de 1 pulgada/2.5 cm) = $\frac{1}{2}$ taza  1 libra (455 g) = $3\frac{1}{2}$ -4 tazas   1 libra (455 g) = $3\frac{1}{2}$ -4 tazas	Patatas crudas: cortar en pedazos de 1 pulgada (2.5 cm); pulsar. Batata/Camote/Ñame: Cortar en pedazos de 1 pulgada (2.5 cm); pulsar. Cortar ambos lados; cortar en pedazos si es necesario. Patatas crudas: presión ligera a moderada. Camote/batatas crudas: presión firme. Patatas cocidas: presión ligera. Cortar ambos lados; cortar en pedazos si es necesario. Patatas: presión ligera a moderada. Nota: guardar las patatas ralladas o cortadas en rodajas en agua fría; secar bien antes de usar. Puré de patatas: cocer; procesar con el disco triturador/rallador; esto evitará que el puré tenga una consistencia pegajosa.
Rábanos	Cuchilla picadora  Disco rebanador Disco triturador/ rallador	Pedacitos  Rodajas Rallado fino/medio	$\frac{1}{2}$ libra (225 g) = 1 $\frac{1}{2}$ taza  $\frac{1}{2}$ libra (225 g) = 1 $\frac{1}{2}$ taza $\frac{1}{2}$ libra (225 g) = 1 $\frac{1}{2}$ taza	Cortar en pedazos de 1 pulgada (2.5 cm); pulsar. Procesar para picar fino. Cortar las extremidades; procesar, ejerciendo presión firme. Cortar las extremidades; procesar, ejerciendo presión firme.
Cebolletas (scallions)	Cuchilla picadora Disco rebanador	Pedacitos Rodajas	1-2 = $\frac{1}{4}$ taza 1-2 = $\frac{1}{4}$ taza	Cortar en pedazos de 1 pulgada (2.5 cm); pulsar. Tirar la parte verde; poner verticalmente en la boca de llenado. Procesar, ejerciendo presión ligera a moderada. Lonchas largas: cortar en pedazos; disponer horizontalmente en la boca de llenado. Procesar, ejerciendo presión moderada.
Espinaca	Cuchilla picadora Cuchilla picadora  Disco rebanador	Pedacitos Puré  Rodajas	1 libra (455 g) cruda = 10 tazas  1 libra (455 g) cocinada = 1 $\frac{1}{2}$ taza  1 libra (455 g) cruda = 10 tazas	Pulsar para picar. Procesar para hacer puré.  Formar un rollo de hojas; poner el rollo verticalmente en la boca de llenado; procesar, ejerciendo presión moderada.
Calabacines	Cuchilla picadora Disco rebanador  Disco triturador/ rallador	Pedacitos Rodajas  Rallado fino/medio	1 libra = 3 tazas 1 libra = 3 tazas  1 libra = 3 tazas	Cortar en pedazos de 1 pulgada (2.5 cm); pulsar. Rodajas redondas: limpiar; disponer verticalmente en la boca de llenado. Lonchas largas: cortar en pedazos; disponer horizontalmente en la boca de llenado. Procesar, ejerciendo presión moderada. Ralladura corta: limpiar; disponer verticalmente en la boca de llenado. Ralladura larga: Cortar en pedazos; disponer horizontalmente en la boca de llenado. Procesar, ejerciendo presión moderada.

ALIMENTOS	ACCESORIO	PROCESADO	RINDE	INSTRUCCIONES
<b>QUESO</b> Queso suave; Ricotta, queso crema, requesón, Brie, queso azul, Fontina Mozzarella, Bel Paese	Cuchilla picadora Cuchilla picadora  Disco triturador/ rallador Disco triturador/ rallador	Puré Pedacitos  Rallado medio Rallado fino	½ libra (225 g) = 1 taza ¼ libra (115 g) = 1 taza  ¼ libra (115 g) = 1 taza ¼ libra (115 g) = 1 taza	Cortar en pedazos de 1 pulgada (2.5 cm). Procesar. Cortar en pedazos de 1 pulgada (2.5 cm); pulsar.  Refrigerar; procesar, ejerciendo presión moderada.  Congelar durante 25–30 minutos antes de rallar.
Queso firme; Cheddar, suizo, Edam, Gouda	Cuchilla picadora Disco rebanador Disco triturador/ rallador Disco triturador/ rallador	Pedacitos Tajadas Rallado medio Rallado fino	¼ libra (115 g) = 1 taza ¼ libra (115 g) = 1 taza ¼ libra (115 g) = 1 taza ¼ libra (115 g) = 1 taza	Cortar en pedazos de ½–1 pulgada (1.5–2.5 cm). Refrigerar; procesar, ejerciendo presión ligera a moderada. Refrigerar; procesar, ejerciendo presión moderada. Refrigerar; procesar, ejerciendo presión ligera.
Queso duro; Parmesano & Romano	Cuchilla picadora  Disco triturador/ rallador Disco triturador/ rallador	Pedacitos  Rallado medio Rallado fino	¾ libra (340 g) = 3 tazas  ¼ libra (115 g) = 1 taza ¼ libra (115 g) = 1 taza	Cortar en pedazos de ½–1 pulgada (1.5–2.5 cm). *No intente picar un queso que sea demasiado duro para agujerarse con la punta de un cuchillo. El queso debería estar a temperatura ambiente. El queso debería estar a temperatura ambiente.
<b>OTROS ALIMENTOS</b> Papillas	Cuchilla picadora	Puré		Cortar las frutas/verduras cocidas en pedazos de 1 pulgada (2.5 cm). Los alimentos deberían estar muy suaves. Pulsar, luego procesar hasta obtener la consistencia deseada. Colar el puré con colador de malla fina. Congelar el puré en bandejas de cubitos de hielo para conseguir porciones individuales de 1 onza.
Mantequilla	Cuchilla picadora  Disco rebanador	Pedacitos  Rodajas	¼ libra (115 g) = ½ taza  ¼ libra (115 g) = ½ taza	Cortar la mantequilla a temperatura ambiente en pedazos. Procesar, raspando el bol si es necesario. Mantequilla de hierbas: procesar los ingredientes aromatizantes primero, y luego agregar la mantequilla. Masa de hojaldre: cortar la mantequilla en pedazos y congelar antes de usar. La mantequilla debería estar bien fría; procesar, ejerciendo presión moderada.
Chocolate	Cuchilla picadora  Disco triturador/ rallador	Pedacitos  Rallado medio	1 onza (30 g) = ¼ taza  1 onza (30 g) = ¼ taza	Cortar en pedazos de ½–1 pulgada (1.5–2.5 cm) o utilizar chispas de chocolate. Pulsar, luego procesar hasta obtener la consistencia deseada. La textura del chocolate rallado es gruesa. Refrigerar; procesar, ejerciendo presión firme.
Pan rallado/Galletas picadas	Cuchilla picadora	Pedacitos	12–14 galletas Graham = 1 taza; 1 rebanada de pan = ½ taza	Cortar en pedazos de ½–1 pulgada (1.5–2.5 cm). Procesar hasta obtener la consistencia deseada. Pan rallado: el pan rallado puede prepararse con pan fresco, pan del día anterior o tostadas.
Claras	Cuchilla picadora	Pedacitos	8 claras = 1 taza de claras montadas	Utilizar huevos a temperatura ambiente; agregar 1 cucharadita de jugo de limón o vinagre por clara. El bol debe estar muy limpio; procesar durante 1–2½ minutos. No utilizar las claras montadas para preparar merengue. Para obtener claras montadas más firmes, terminar de batir con un batidor de mano o el disco batidor (opcional). Nota: para pedir el disco batidor (modelo FP-14WHIP), comuníquese con nuestro servicio de atención al cliente.

ALIMENTOS	ACCESORIO	PROCESADO	RINDE	INSTRUCCIONES
Carne, pollo y pescado	Cuchilla picadora	Pedacitos	2¼ libras (1 kg) de carne deshuesada = 4½ tazas	<p>Cortar la carne cruda o cocinada <i>muy</i> fría en pedazos de 1 pulgada (2.5 cm); pulsar para picar. Procesar durante varios segundos a la vez para picar fino. Averiguar la consistencia a menudo.</p> <p>Cortar la carne cruda o cocinada <i>muy</i> fría en pedazos de 1 pulgada (2.5 cm); pulsar para picar. Procesar hasta obtener la consistencia deseada.</p> <p>Carne cocinada: La carne debe estar <i>muy</i> fría. No procesar más de un pedazo a la vez. Carne cruda: cortar, envolver en una película de plástico y congelar hasta que esté la carne dura pero que pueda perforarse con la punta de un cuchillo. *Para lograr resultados óptimos, utilizar carne semi-congelada.</p>
	Cuchilla picadora Disco rebanador	Puré Rodajas	1 libra (455 g) de carne  deshuesada = 2 tazas  1 libra (455 g) de carne  deshuesada = 2 tazas	
Batidos/Licuados ("smoothies")	Cuchilla picadora	Batido/Puré	Hasta 16 porciones de 8 onzas (235 ml)	Batidos de helado: procesar el helado y agregar la leche por la boca de llenado. Licuados/Batidos de fruta/"Smoothies" procesar las frutas y agregar el líquido por la boca de llenado.
Nueces	Cuchilla picadora	Pedacitos	¾ libra (340 g) = 3 tazas	<p>Pulsar para picar. La dureza de las nueces determinará el tiempo de procesado. Procesar con harina o azúcar para no hacer mantequilla de nueces. Grueso: pulsar 6–8 veces. Fino: pulsar 2–3 veces, luego procesar durante 20–30 segundos, averiguando la consistencia a menudo.</p> <p>Mantequilla de nueces: procesar durante 2–3 minutos, raspando el bol si es necesario. Para que la mantequilla sea más suave, agregar un poco de aceite.</p> <p>Procesar, ejerciendo presión moderada; las nueces picadas tendrán una textura gruesa, Procesar, ejerciendo presión moderada; las nueces picadas tendrán una textura media/fina.</p>
	Cuchilla picadora Disco rebanador Disco triturador/ rallador	Puré Rodajas Rallado fino/medio	¼ libra (115 g) = 1 taza  ¼ libra (115 g) = 1 taza ¼ libra (115 g) = 1 taza	
Azúcar granulada	Cuchilla picadora	Pedacitos	1 libra (455 g) = 2 tazas	Procesar durante 1 minuto.
Tofu	Cuchilla picadora	Puré	10 onzas (290 g) = ¾ taza	Procesar durante 2 minutos.
Nata para montar	Cuchilla picadora	Pedacitos	1 taza = ½ taza	Procesar la crema fría hasta que espese. Agregar azúcar si desea; seguir procesando durante 3–4 minutos más, hasta obtener la consistencia deseada.
<b>MASAS</b> Masa de hojaldre	Cuchilla picadora	Masa/Mezcla		Pulsar hasta que la mezcla adquiera la consistencia de la harina de maíz. Agregar agua, 1 cucharada a la vez; pulsar hasta obtener una masa.
<b>Mezclas</b> Pan sin levadura, pasteles, galletas	Cuchilla picadora	Masa/Mezcla		Procesar los ingredientes secos y reservar. Procesar la greda con el azúcar, luego agregar los ingredientes líquidos. Agregar los ingredientes secos; pulsar para combinar. Los ingredientes que deben picarse grueso pueden añadirse con los ingredientes secos. Los ingredientes que deben picarse fino deben picarse por separado y añadirse al final del procesado.
<b>Masa fermentada salada</b> Pan	Cuchilla amasadora Cuchilla amasadora	Mezclar Amasar		<b>CONSEJOS:</b> Poner a fermentar 2 ¼ cucharaditas de levadura seca activa en ¾ taza (175 ml) de líquido tibio. Si la receta incluye edulcorante como azúcar o miel, agregar 1 cucharadita a la levadura. No procesar más de 6 tazas (1 kg) de harina a la vez. La masa fermentada salada estará suave y ligeramente pegajosa.*
<b>Masa fermentada dulce</b> Panecillos y "coffee cakes"	Cuchilla amasadora Cuchilla amasadora	Mezclar Amasar		<b>Ver la sección CONSEJOS.</b> La masa fermentada dulce estará pegajosa; raspar el bol si es necesario. La masa fermentada dulce no necesita procesarse mucho.*

**Nota:** procesar masa en el bol grande solamente. No utilizar el bol pequeño para amasar.

\*Ver la sección "Resolución de problemas" para más información.

---

## LIMPIEZA Y MANTENIMIENTO

Mantenga su procesadora de alimentos en la encimera, para siempre tenerla lista. Desenchufe el aparato cuando no está en uso.

Guarde los discos y las cuchillas en la caja de almacenaje con seguro provista. Mantenga las cuchillas y los discos fuera del alcance de los niños.

Todas las piezas removibles son aptas para lavavajillas. Recomendamos que las lave en el **nivel superior del lavavajillas únicamente**. El intenso calor del agua en el nivel inferior del lavavajillas puede dañar los boles, la tapa y los accesorios. Ponga la tapa recta, con la boca de llenado apuntando hacia arriba, para que se limpie debidamente. Nota: puede retirar el sello hermético para lavarlo a mano o en el lavavajillas. Ponga el bol y el empujador al revés. Tenga cuidado al retirar las cuchillas y los discos del lavavajillas.

Le recomendamos que enjuague todas las piezas inmediatamente después del uso, ya que alimentos secos podrían dificultar la limpieza. Cerciórese de poner los empujadores al revés para que el agua escurra. Si alimentos quedaron atrapados adentro del empujador, enjuague éste en agua o límpielo con un cepillo para botella.

Si la tapa no está completamente limpia después de lavarla a mano o sacarla del lavavajillas, lave a presión con agua de la llave los orificios de la tapa.

Si desea lavar las cuchillas y los discos a mano, haga esto con mucho cuidado. Sosténgalos por el eje de plástico. No los deje en agua jabonosa, donde los pueda perder de vista. Para limpiar la cuchilla, llene el bol con agua jabonosa. Instale la cuchilla en el bol y, sosteniéndola por el eje de plástico, muévala rápidamente y repetidamente desde arriba hasta abajo. También puede lavarla con la ducha del fregadero. Utilice un cepillo si es necesario.

Los boles están hechos de un material plástico duradero, inastillable y resistente al calor. No son aptos para microondas.

Limpie la base después de cada uso con un paño ligeramente humedecido. Séquela bien.

Los pies de goma de la base mantienen el aparato estable sobre la mayoría de las superficies cuando esté en marcha. Si los pies dejan marcas en la encimera, vaporice

producto quitamanchas y limpie la zona con una esponja humedecida. Si esto no soluciona el problema, vuelva a limpiar la encimera con un limpiador en polvo no abrasivo.

La caja de almacenaje está hecha de un material plástico muy resistente y fácil de limpiar. Limpie la caja con un paño ligeramente humedecido en agua jabonosa. Para quitar las manchas difíciles, utilice un jabón suave, y luego pase una esponja ligeramente humedecida. **No meta la caja de almacenaje al lavavajillas**. Siempre limpie las cuchillas, los discos y el adaptador antes de guardarlos en la caja de almacenaje. Nunca guarde accesorios sucios en la caja, aun temporalmente.

**IMPORTANTE** No guarde las cuchillas o los discos sobre el árbol del motor. Instale la cuchilla o el disco en el bol en el momento de usarlo únicamente.

**MANTENIMIENTO** Cualquier otro servicio debe ser realizado por un técnico autorizado.

## PARA SU SEGURIDAD

Su aparato, como todos los electrodomésticos, debe usarse con cuidado. Para prevenir los riesgos de herida resultantes de un mal uso, siga estas reglas de seguridad.

Manipule las cuchillas y los discos con sumo cuidado. Sus filos son muy afilados.

Siempre instale el adaptador sobre el árbol del motor antes de instalar el disco.

Asegúrese de que el bol esté debidamente instalado antes de instalar la cuchilla o el disco.

Inserte la cuchilla o el disco completamente, lo más bajo que encaje.

Siempre instale la cuchilla (picadora/mezcladora o amasadora) antes de agregar los ingredientes al bol.

Siempre use los empujadores para empujar los alimentos. Nunca introduzca sus dedos o algún utensilio en la boca de llenado.

Siempre espere hasta que la cuchilla o el disco estén totalmente inmóviles antes de abrir la tapa o sacar el empujador.

Siempre desenchufe el aparato antes de retirar los alimentos del bol, limpiar el aparato, instalar o sacar piezas.

Siempre retire el bol de la base antes de sacar la cuchilla (picadora/mezcladora o amasadora).

---

## ESPECIFICACIONES TÉCNICAS

El motor de su procesadora de alimento funciona con corriente estándar. Las especificaciones eléctricas del aparato están indicadas en la etiqueta debajo de la base. Un disyuntor de seguridad apagará automáticamente el motor en caso de sobrecalentamiento. Esto puede ocurrir cuando procesa mezclas espesas durante un tiempo prolongado o cuando usa el aparato sin interrupción durante un tiempo excesivo. Si esto ocurriera, desconecte el aparato y permita que se enfríe durante 10 minutos o más (hasta una hora en casos extremos). Un mecanismo de seguridad impide que el aparato se ponga en marcha a menos que el bol y la tapa estén debidamente cerrados. El motor de la procesadora se apaga muy rápidamente después de apagar el aparato y se detiene automáticamente al sacar el juego de empujadores. Cuisinart ofrece una garantía limitada de tres años sobre este aparato.

## RESOLUCIÓN DE PROBLEMAS

### *Problemas al picar/rebanar/rallar*

- Problema:** Los alimentos picados no son uniformes.  
**Solución:**
  - Cortar los alimentos en pedazos uniformes de ½– 1 pulgada (1.5–2.5 cm) antes de procesarlos.
  - No sobrellenar el bol.
- Problema:** Las rebanadas/tajadas/rodajas no son uniformes.  
**Solución:**
  - Cortar los alimentos en pedazos uniformes.
  - Procesar, ejerciendo presión uniforme.
- Problema:** Los alimentos no se mantienen rectos en la boca de llenado.  
**Solución:**
  - Apretujar los alimentos en la boca de llenado. Utilizar la boca de llenado pequeña para procesar pequeñas cantidades.
- Problema:** Alimentos permanecen encima del disco.  
**Solución:**
  - Esto es normal; cortar los pedazos a mano.

### *Problemas al amasar*

- Problema:** El motor pierde velocidad.  
**Solución:**
  - Puede que la cantidad de masa exceda la capacidad máxima. Dividir la masa en dos porciones y amasar por separado.
  - Puede que la masa sea demasiado húmeda (ver el punto no. 9 a continuación).  
Si el motor acelera, seguir procesando. En el caso contrario, agregar 1 cucharada de harina a la vez, hasta que el motor acelere. Seguir procesando, hasta que la masa se desprege de las paredes del bol.
- Problema:** La cuchilla no combina los ingredientes.  
**Solución:**
  - Siempre poner la procesadora en marcha antes de agregar líquido. Echar el líquido lentamente, para permitir que los ingredientes secos lo absorban. Si el líquido salpica o chapotea al añadirlo, dejar que los ingredientes secos lo absorban antes de agregar más. Echar el líquido por la boca de llenado, en el momento preciso en que la masa pasa debajo de ésta; no agregar el líquido directamente al bol.
- Problema:** La cuchilla no permanece en el fondo del bol.  
**Solución:**
  - Asegurarse de que la cuchilla esté debidamente instalada antes de encender la máquina.
  - Esto puede pasar si la masa está demasiado pegajosa. Volver a instalar la cuchilla y agregar 2 cucharadas de harina por la boca de llenado mientras la procesadora está encendida.
- Problema:** El empujador grande se mueve al amasar  
**Solución:**
  - Activar el sistema de bloqueo del empujador ubicado en el asa.
- Problema:** La masa no deja el bol limpio  
**Solución:**
  - Puede que la cantidad de masa exceda la capacidad máxima. Dividir la masa en dos porciones y amasar por separado.
  - Puede que la masa sea demasiado seca (ver el punto no. 8 a continuación).

- Puede que la masa sea demasiado húmeda (ver el punto no. 9 a continuación).
6. **Problema:** La masa se enreda en la cuchilla y no está homogénea

**Solución:**

- Dividir la masa en tres porciones y disponer uniformemente en el fondo del bol.

7. **Problema:** La masa parece dura.

**Solución:**

- Dividir la masa en 2 ó 3 porciones y disponer éstas uniformemente en el fondo del bol. Amasar durante 10 segundos, hasta obtener una masa suave y homogénea.

8. **Problema:** La masa está demasiado seca.

**Solución:**

- Encender la máquina y agregar agua, 1 cucharada a la vez. Procesar hasta que la masa deje el bol limpio.

9. **Problema:** La masa está demasiado húmeda.

**Solución:**

- Encender la máquina y agregar harina, 1 cucharada a la vez. Procesar hasta que la masa deje el bol limpio.

## **PROBLEMAS TÉCNICOS**

1. **Problema:** El motor no se enciende.

**Solución:**

- Un sistema de seguridad impide que el motor se encienda a menos que la unidad esté debidamente ensamblada. Cerciorarse que el bol y la tapa están debidamente instalados.
- Al usar un disco, asegurarse de que los alimentos en la boca de llenado no pasen la línea de llenado máximo.
- Si esto no soluciona el problema, inspeccionar el cable y la toma de corriente.

2. **Problema:** El aparato se apaga durante el uso.

**Solución:**

- Asegurarse de que la tapa esté bien cerrada.
- Un cortocircuito de seguridad apaga automáticamente en motor en caso de sobrecalentamiento, lo cual puede ocurrir al procesar mezclas espesas durante un

tiempo prolongado. Si esto ocurriera, apagar (OFF) el aparato y dejar enfriar durante 10–15 minutos antes de continuar.

3. **Problema:** La tapa se abre durante el uso o hace ruido

**Solución:**

- Esto puede ocurrir si la parte trasera de la tapa no está bien asegurada. Presionar la tapa para cerrarla.

4. **Problema:** El motor pierde velocidad durante el funcionamiento

**Solución:**

- Esto puede ocurrir cuando el motor hace mucha fuerza (por ejemplo para rebanar/rallar queso). Vuelva a colocar los alimentos en la boca de llenado y seguir procesando.
- Puede que la cantidad de alimentos exceda la capacidad máxima de la procesadora. Retirar una parte de los ingredientes y seguir procesando.

5. **Problema:** La cuchilla picadora es difícil de retirar del bol

**Solución:**

- Las cuchillas picadoras han sido diseñadas con un sistema de bloqueo para evitar que se caigan al vaciar el bol. Para retirar la cuchilla, jalar con fuerza, pero con mucho cuidado.

6. **Problema:** El aparato se mueve durante el uso

**Solución:**

- Averiguar que los pies de caucho debajo de la base están limpios y secos. También averiguar que la cantidad de alimentos no excede la capacidad máxima.
- Esto puede ocurrir cuando el motor hace mucha fuerza (por ejemplo para rebanar/rallar queso).

7. **Problema:** El empujador grande se cae al voltear la tapa

**Solución:**

- Activar el sistema de bloqueo del empujador ubicado en el asa.

---

## **GARANTÍA**

### **GARANTÍA PLENA DE VEINTE AÑOS SOBRE EL MOTOR**

### **GARANTÍA LIMITADA DE TRES AÑOS**

Esta garantía es para los consumidores solamente. Usted es un consumidor si ha comprado su aparato Cuisinart® en una tienda, para uso personal o casero. A excepción de los estados donde la ley lo permita, esta garantía no es para los detallistas u otros comerciantes.

Cuisinart garantiza este aparato contra todo defecto de materiales o fabricación durante tres años después de la fecha de compra original, siempre que el aparato haya sido utilizado para uso doméstico y según las instrucciones.

Le aconsejamos que llene el formulario de registro disponible en [www.cuisinart.com](http://www.cuisinart.com) a fin de facilitar la verificación de la fecha de compra original. Sin embargo, no es necesario registrar el producto para recibir servicio bajo esta garantía. En ausencia del recibo de compra, el período de garantía será calculado a partir de la fecha de fabricación.

Si este aparato presentara algún defecto de materiales o fabricación durante el período de garantía, la repararemos o reemplazaremos (a nuestra opción). Para obtener servicio bajo esta garantía, llame a nuestra línea directa gratuita al 1-800-726-0190 o regrese el aparato defectuoso a: Cuisinart, Service Department, 7475 North Glen Harbor Blvd.

Regrese el aparato defectuoso, junto con su recibo de compra y un cheque o giro postal de US\$10.00 por gastos de manejo y envío.

Los residentes de California sólo necesitan dar una prueba de compra y deben llamar al 1-800-726-0190 para recibir instrucciones de envío.

**NOTA:** para más seguridad, le aconsejamos que mande su paquete por un método de entrega con seguro y seguimiento. Cuisinart no será responsable por los daños ocurridos durante el transporte o por los paquetes mandados a una dirección equivocada. Los productos perdidos y/o lastimados durante el envío no serán cubiertos bajo esta garantía.

Recuerde incluir su nombre, dirección y teléfono, la descripción del problema, así como cualquier información pertinente.

### **RESIDENTES DE CALIFORNIA SOLAMENTE**

La ley del estado de California ofrece dos opciones bajo el período de garantía. Los residentes del estado de California pueden (A) regresar el producto defectuoso a la tienda donde lo compraron o (B) a otra tienda que venda productos Cuisinart® de este tipo.

La tienda, a su opción, reparará el producto, referirá el consumidor a un centro de servicio independiente, cambiará el producto o reembolsará el consumidor por el precio original del producto, menos la cantidad imputable al uso del producto por el consumidor hasta que éste se dañe. Si estas dos opciones no satisfacen al consumidor, podrá llevar el aparato a un centro de servicio independiente, siempre que se pueda ajustar o reparar el aparato de manera económica. Cuisinart será responsable por los gastos de servicio, reparación, reemplazo o reembolso de los productos defectuosos durante el período de garantía.

Los residentes de California también pueden, si lo desean, mandar el aparato defectuoso directamente a Cuisinart para que lo reparen o lo cambien. Para esto, se debe llamar a nuestro servicio posventa al 1-800-800-726-0190.

Cuisinart será responsable por los gastos de reparación, reemplazo, manejo y envío de los productos defectuosos durante el período de garantía.



---

## ANTES DE HACER REPARAR SU APARATO

Si su aparato tiene algún problema, le recomendamos que llame a nuestro servicio posventa al 1-800-726-0190 antes de regresar el aparato a Cuisinart. Un representante le confirmará si su aparato sigue bajo garantía y le indicará la dirección del centro de servicio más cercano.

Este aparato satisface las más altas exigencias de fabricación y ha sido diseñado para uso sobre corriente de 120V, usando accesorios y piezas de repuesto autorizados solamente. Esta garantía excluye expresamente los daños causados por accesorios, piezas o reparaciones no autorizados por Cuisinart, así como los daños causados por el uso de un convertidor de voltaje. Esta garantía no cubre el uso institucional o comercial del producto, y no es válida en caso de daños causados por mal uso, negligencia o accidente. Esta garantía excluye expresamente todos los daños incidentales o consecuentes. Algunos Estados no permiten la exclusión o limitación de daños incidentales o consecuentes, de modo que las limitaciones mencionadas pueden no regir para usted. Usted puede tener otros derechos que varían de un Estado a otro.

**Importante:** si debe llevar el aparato defectuoso a un centro de servicio no autorizado, por favor informe al personal del centro de servicio que deberían llamar al servicio posventa de Cuisinart al 1-800-726-0190 a fin de diagnosticar el problema correctamente, usar las piezas correctas para repararlo y asegurarse de que el producto esté bajo garantía.

©2019 Cuisinart  
East Windsor, NJ 08520  
Impreso en China

19CE064055

G IB-13083-ESP-C