

Lumination® LED Luminaire



Diffuser and Door Frame Replacement (Assent and LBT Series)



BEFORE YOU BEGIN

Read these instructions completely and carefully.



WARNING/AVERTISSEMENT

RISK OF ELECTRIC SHOCK

- Turn power off before inspection, installation or removal.
- Properly ground electrical enclosure.

RISK OF FIRE

- Follow all NEC and local codes
- Use only UL approved wire for input/output connections. Only use size 18 AWG.

RISQUES DE DÉCHARGES ÉLECTRIQUES

- Coupez l'alimentation avant d'inspecter, installer ou déplacer le luminaire.
- Assurez-vous de correctement mettre à la terre le boîtier d'alimentation électrique.

RISK OF FIRE

- Respectez tous les codes NEC et codes locaux.
- N'utilisez que des fils approuvés par UL pour les entrées/sorties de connexion. Utilisez taille 18 AWG.

Save These Instructions

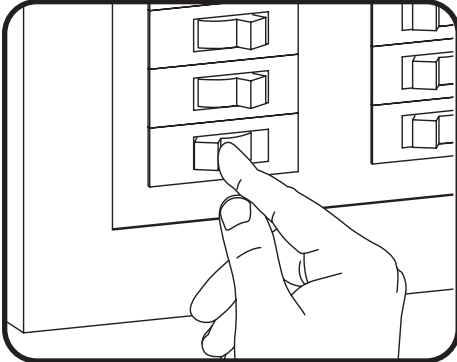
Use only in the manner intended by the manufacturer. If you have any questions, contact the manufacturer.

Specifications

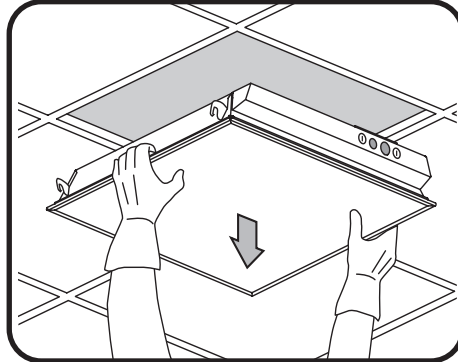
Description Code	Corresponding Luminaires
93034702 LBT22 DIFFUSER (QTY 5)	LBT22 Series
93034703 LBT14 DIFFUSER (QTY 5)	LBT14 Series
93034704 LBT24 DIFFUSER (QTY 5)	LBT24 Series

Diffuser Replacement Steps

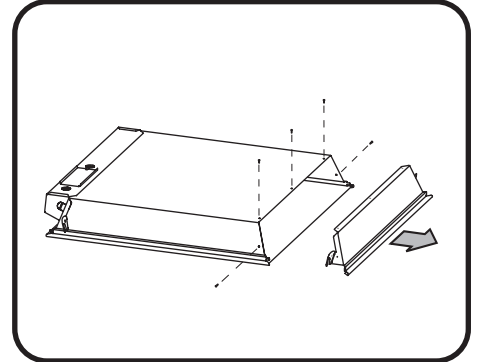
NOTE: The following steps depict the 22 Series luminaire. However, the procedure is the same for the 14 and 24 Series fixtures.



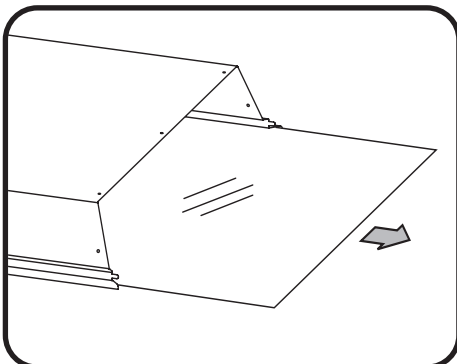
1 TURN OFF POWER at the source to the luminaire.



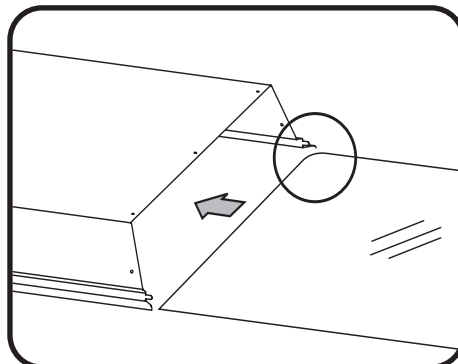
2 Disconnect the AC and dimming wires. Remove the fixture from the ceiling fixture.



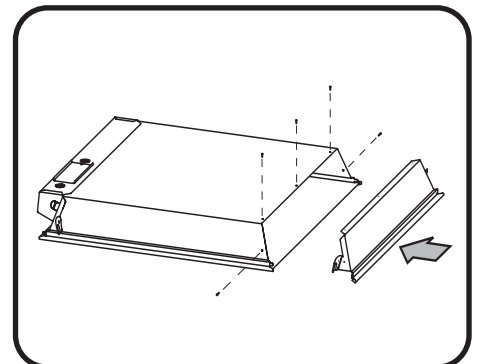
3 Remove the end cap that is opposite to the driver/electrical box.



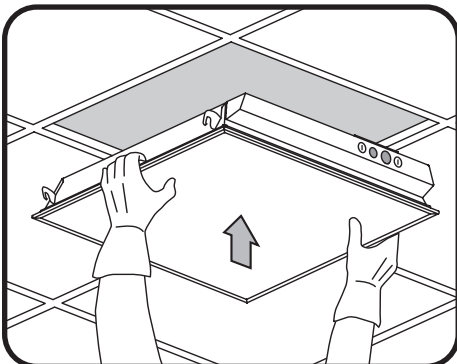
4 Slide out the old diffuser.



5 Slide in the new diffuser. Make sure the round corner on the diffuser slides in first as shown in the circled area of the above picture.



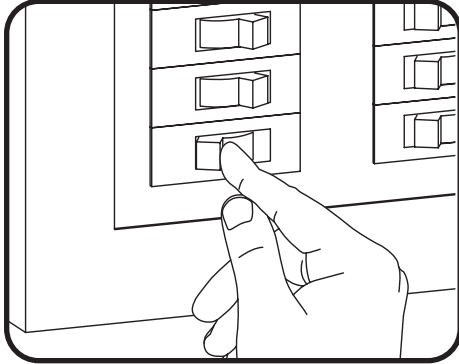
6 Replace the end cap



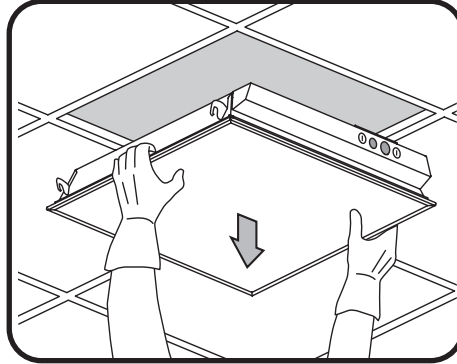
7 Install the fixture back to the ceiling. Connect the AC and dimming wires.

Diffuser Replacement Steps

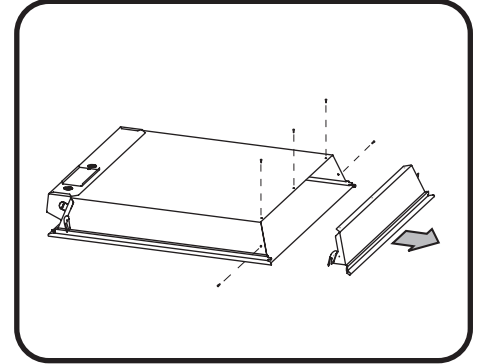
NOTE: The following steps depict the 22 Series luminaire. However, the procedure is the same for the 14 and 24 Series fixtures.



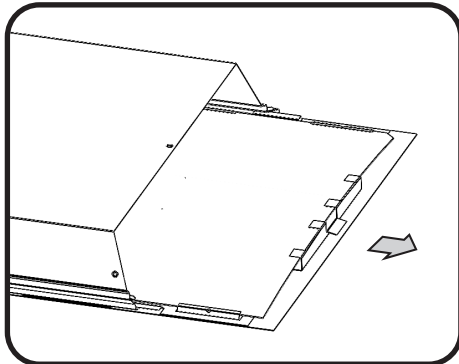
- 1** TURN OFF POWER at the source to the luminaire.



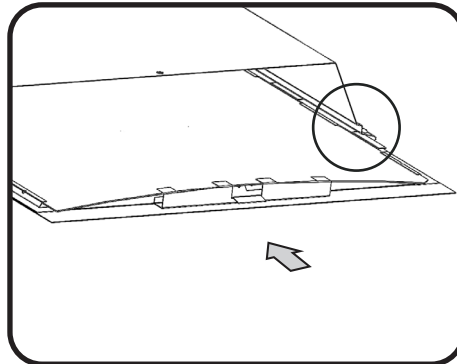
- 2** Disconnect the AC and dimming wires. Remove the fixture from the ceiling fixture.



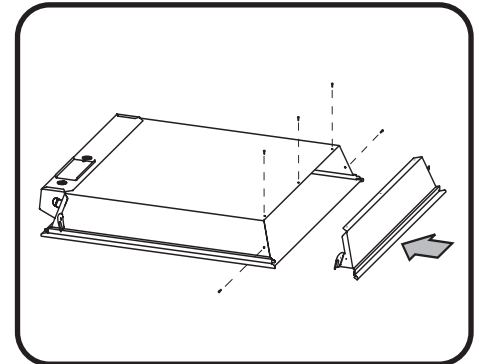
- 3** Remove the end cap that is opposite to the driver/electrical box.



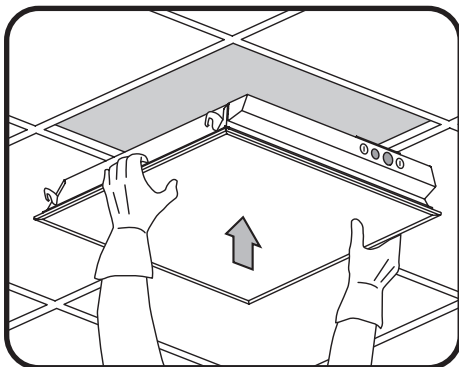
- 4** Slide out the old door frame. If a sensor is included in the frame, partially remove the door frame to disconnect the sensor wiring. Once sensor wiring is removed, completely remove the old door frame.



- 5** Slide in the new door frame. Ensure the outward frame bends are secured to the fixture housing. For door frames with sensors, partially install the new door frame. Connect the sensor wiring, then complete the door frame installation.



- 6** Replace the end cap



- 7** Install the fixture back to the ceiling. Connect the AC and dimming wires.