

This warranty covers defects in parts and workmanship for a period of 3 years from the original purchase date. Any damage claim regarding the enameling must be submitted within 30 days of purchase to be covered by the warranty.

The following conditions are NOT covered by this warranty:

- Unevenness and color variations in the coated surfaces.
- Damage caused by improper assembly or disregard of the manual.
- Use of spare parts not supplied by manufacturer.
- Damage resulting from modifications or inappropriate use.
- Abuse of the stove
- Damage caused by improper maintenance or repairs by an unauthorized person.

Limitations and exclusions:

1. This warranty applies only to the original purchaser and may not be transferred.
2. If you can not verify the purchase date of the stove the warranty period will begin on the date the stove was manufactured.
3. Replacement or repair parts are warranted for the remaining period of the original part warranty.

Your obligations:

This stove must be assembled, installed, operated and maintained in accordance with all applicable codes and the instruction manual furnished with this stove. You must keep an invoice, canceled check or payment record to verify the purchase date of the stove.

Questions, problems, missing parts? Before returning to your retailer, call our customer service department at 1-866-994-6390, 9 a.m.-5 p.m., EST, Monday-Friday or email consumercare@thefulhamgroup.com.



©2022 Cuisinart
Cuisinart® is a registered trademark under license to The Fulham Group. Distributed by The Fulham Group, Newton, MA. 02466 U.S.A. MADE IN CHINA.
Contact us at consumercare@thefulhamgroup.com
Three Year Limited Warranty.

Model # CGG-1050
North American Distributor:
The Fulham Group
Newton, MA 02466

Get Social With Us @CuisinartBBQ



See our full line of premium Cuisinart®
Outdoor Cooking Products at
www.cuisinart.com/outdoorgrilling



**PORTABLE BUTANE
CAMPING STOVE
MODEL NO: CGG-1050**

⚠ WARNING

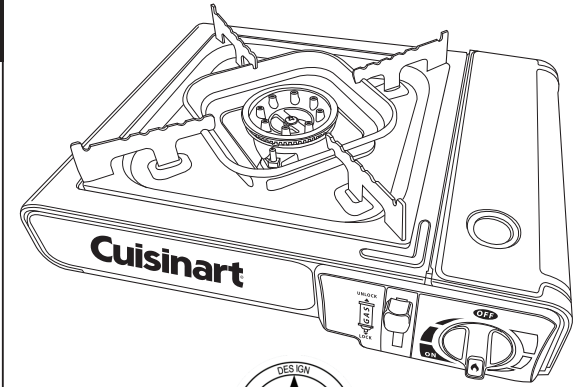
FIRE OR EXPLOSION HAZARD

If you smell gas:

1. Do not attempt to light the appliance.
2. Make sure appliance is in the off position.
3. Extinguish any nearby flame(s).
4. Shut off cylinder fuel supply valve if so equipped, or if equipped with a disposable fuel cylinder, disconnect cylinder.
5. Leave the area immediately.
6. Allow gas to dissipate 5 minutes.
7. If gas smell has dissipated from the area of the appliance and fuel supply, follow gas connection procedures.
8. If you smell gas again, follow steps 1-6 and have appliance serviced.

Failure to follow these instructions could result in fire or explosion, which could cause property damage, personal injury, or death.

Improper installation, use, adjustment, alteration, service, or maintenance can cause injury or property damage. Refer to this manual. For assistance or additional information consult a qualified installer, service agency or gas supplier.



**Customer Service Hotline
1-866-994-6390**

THIS STOVE HAS BEEN TESTED AND CERTIFIED TO:
ANSI Z21.72-2019/CSA 11.2-2019 PORTABLE
TYPE GAS CAMP STOVES

⚠ DANGER



**CARBON MONOXIDE
HAZARD**

This appliance can produce carbon monoxide which is poisonous and has no odor.

Using it in an enclosed space can kill you.
Never use this appliance in an enclosed space such as a camper, tent, car or home.

FOR YOUR SAFETY

Do not store or use gasoline or other flammable vapors and liquids in the vicinity of this or any other appliance.

DO NOT RETURN YOUR GRILL TO THE STORE

Before visiting your local retailer, call our customer service department at 1-866-994-6390 from 9 AM - 5 PM Eastern Time, Monday through Friday.

Table of Contents 2

Safety information 2

Operating Instructions 3

Care and Maintenance 7

Troubleshooting 7

Warranty 8

PROBLEM	WHAT TO DO
Difficulty inserting butane canister	<ul style="list-style-type: none"> • Ensure lock lever is all the way up in the unlocked position • Ensure canister is correct format. Must be butane fuel in approximately 250g size, rated by the Department of Transportation as type 2P or 2Q. • Ensure the stem on the butane canister is inserted into the hole of the gas valve of the stove.
After inserting the butane canister into the stove, the canister lock lever cannot be pressed.	<ul style="list-style-type: none"> • Ensure control knob is in the OFF position, turned all the way clockwise. • Ensure the stem on the butane canister is inserted into the hole of the gas valve of the stove. • Check if the pot rack is flipped right side up with the support legs facing upwards.
With the butane canister installed, attempting to ignite the stove fails	<ul style="list-style-type: none"> • Check if the butane canister is empty by shaking it and listen for liquid inside. • Ensure the burner is clean and holes are clear • Look at the needle next the to the burner while turning the control knob until it clicks. Is there a spark? If there is not, clean the needle and the burner to ensure metal is exposed. Adjust the gap between the needle and the burner to be about 1/8" if necessary. • If the igniter is not functioning properly, it is possible to manually light the stove by turning the control knob counterclockwise slowly and at the same placing a lit match by the burner. • An over pressure prevention safety feature may have engaged. Turn the control knob to off and remove the butane canister, then cool the canister off. After it is cool try to start the stove again.
The stove is lit but either the flame is weaker than normal, it is mostly orange, or goes out completely.	<ul style="list-style-type: none"> • A strong wind could have blown the flame out, turn the control knob to OFF and attempt to restart the stove. • Check to see if the butane canister is getting empty. • An over pressure prevention safety feature may have engaged. Turn the control knob to OFF and remove the butane canister, then cool the canister off. After it is cool try to start the stove again. • Clean the burner if the holes are dirty
Checking for Leaks.	<ul style="list-style-type: none"> • After the butane canister is installed and the lock lever is down, drip a few drops of soapy water where the butane canister connects to the stove. If there are any bubbles forming, then there is a leak. Other ways to detect leaks is to listen for a hissing sound or smell for gas. If a leak is detected flip the canister lock lever up to the unlocked position and call customer service. Do not use the stove or the butane canister.

SAFETY INFORMATION

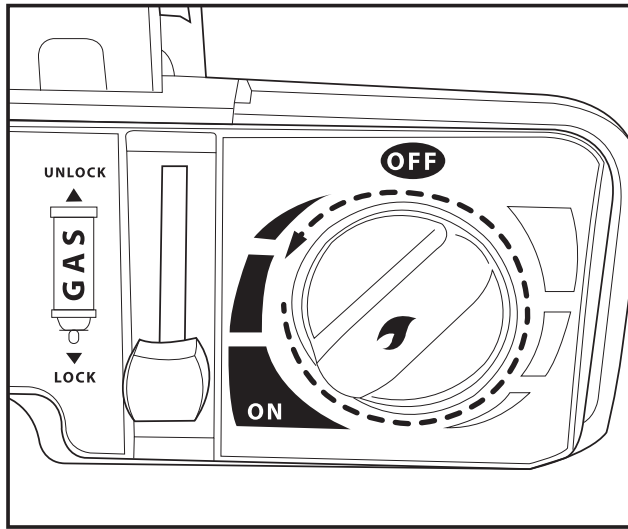
**SAVE THESE INSTRUCTIONS
FOR OUTDOOR HOUSEHOLD USE ONLY**

Please read the following instructions carefully before attempting to operate this appliance. Failure to follow these instructions may result in serious bodily injury and/or property damage. If you have questions regarding the product, please call customer service at 1-866-994-6390, 9 A.M. -5 P.M. EST Monday – Friday or email consumercare@thefulhamgroup.com.

- Modifying this appliance or improper maintenance can cause injury or property damage. Read these instructions carefully before attempting to operate this appliance.
- Use this appliance only in well ventilated areas, like the outdoors.
- Do not use this appliance under hot direct sunlight. Or in environments that can exceed 120°F
- Do not use this appliance where there is strong wind that can blow out the burner during operation.
- Maintain a minimum of 8 inch clearance around the appliance during use and a minimum of 5 feet above the appliance. Ensure there is nothing above or around the appliance that can knock into it.
- Keep combustible material, liquids, and gases away from the appliance when in use, including the surface it is placed on.
- Do not leave the appliance unattended while in use. Always keep the appliance away from children and pets.
- Do not use this appliance for anything other than food preparation.
- Allow the appliance to fully cool after use before attempting to touch it, move it, or store it.
- When not in use disconnect the butane canister and store separately from the appliance.
- Ensure there are adequate air openings around the burner during use. Do not place oversized pots over the burner that exceed the size of the pot rack.
- Clean the stove frequently to avoid potential grease fires.
- Ensure all burner holes are clear of debris before each use.
- Always check for leaks when installing a butane canister.

SAFETY INFORMATION

7. Light the stove by slowly turning the control knob counterclockwise all the way until you hear a click sound. If the stove does not light after the click sound turn the knob back to the OFF position and try again. If after 4 or 5 attempts the stove still does not light, refer to troubleshooting on page 7. After the stove is lit, flame intensity can be adjusted using the control knob. The flame should be mostly blue.



8. To put away, turn the control knob clockwise to the OFF position and flip the canister lock lever up to disengage it. Allow the stove to cool until it is safe to touch. Remove the butane canister from the stove and flip the pot rack upside down so it is more compact. Finally, place the stove back into the carrying case.

CARE AND MAINTENANCE

- It is recommended to clean the stove after each use so that it is ready for the next use. Ensure the stove is cool to the touch and the butane canister is removed from the stove before attempting to clean it.
- Use warm soapy water along with a damp dish cloth or sponge to clean all the surfaces of the stove. Avoid any abrasives like a scrub pad because it can scratch the paint.
- Inspect the holes of the burner and the gas valve where the butane canister plugs into. If any residue is found in any of these areas clean it out to avoid any blockages during operation. A toothpick or cotton swab may be necessary to get into the tight places.
- Dry the stove thoroughly before storing it back in the carrying case it came in. Ensure the butane canister is removed from the stove before storing.
- Store the butane canisters separately from the stove in a cool and dry place.

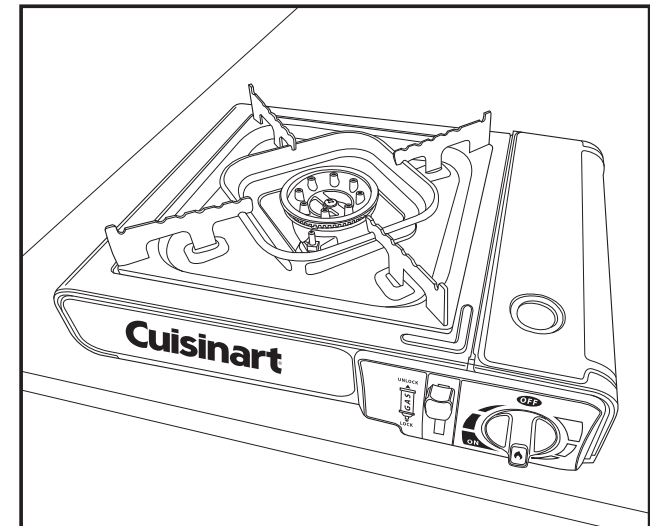
Butane Canister Safety

- Read and follow all warnings printed on the canister packaging.
- **DANGER:** Keep butane canisters out of direct sunlight and environments exceeding 120°F like a hot car. Failure to comply may result in explosion.
- Use only 220-250 gram non-refillable butane canisters.
- Never install or remove butane canisters when the burner is lit, around any other ignition sources like small flames or sparks, or when the appliance is too hot to touch.
- Do not attempt to refill butane canisters.
- Do not use damaged butane canisters, there may be a leak.
- Butane canisters must comply with DOT 2P or 2Q requirements.

WARNING: This product can expose you to chemicals including Carbon Monoxide which is known to the State of California to cause birth defects or other reproductive harm. For more information go to www.P65Warnings.ca.gov.

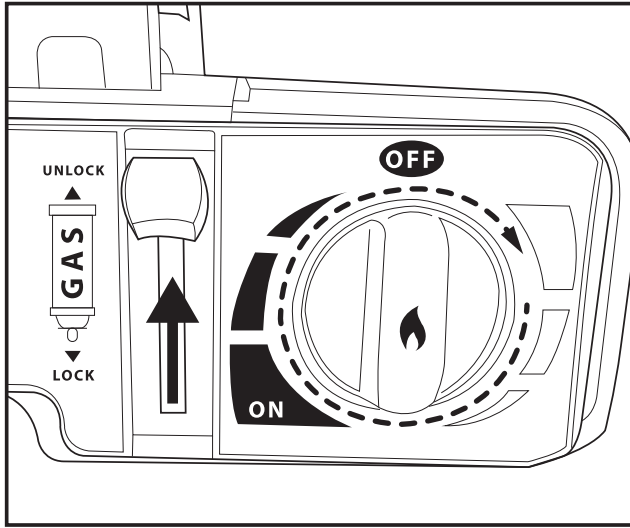
OPERATING THE STOVE

1. Remove the stove from the carrying case and place on a stable, non-combustible surface.
2. Flip the pot rack so that the support legs are facing upwards.

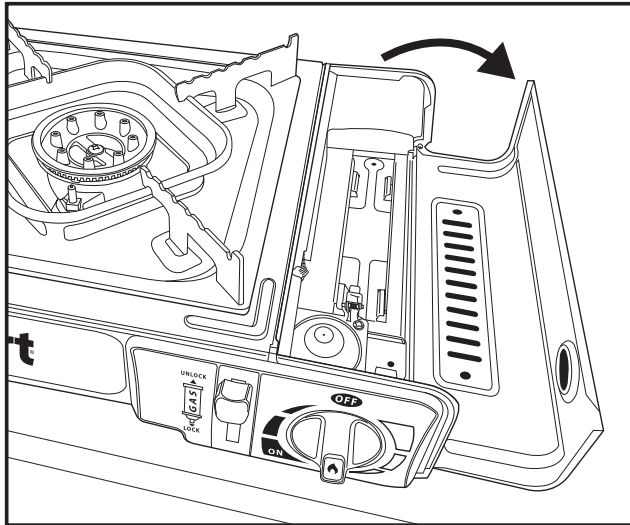


OPERATING THE STOVE

3. Check to ensure the canister lock lever is flipped upwards in the unlocked position, and the control knob is turned all the way clockwise which is the OFF position.

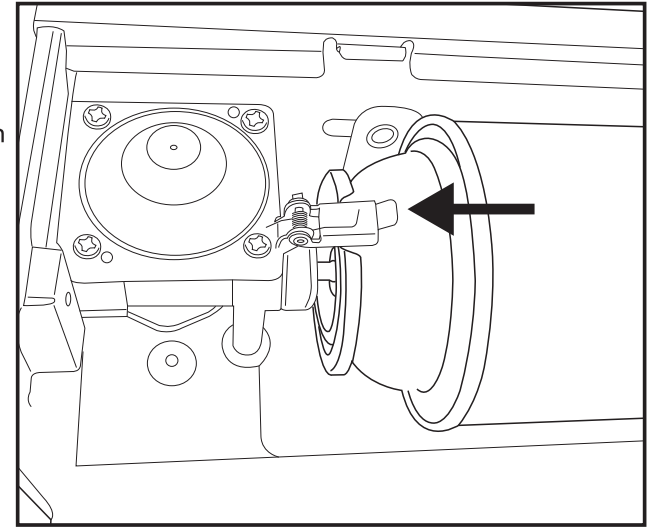


4. Open the butane chamber lid on the right side.



OPERATING THE STOVE

5. Insert the butane canister with the nozzle facing the gas valve of the stove. There is a notch on the butane canister collar that must line up with a tab on the gas valve.



6. Press the canister lock lever down and check for leaks. Refer to troubleshooting on page 7.

