

# Lumination® LED Luminaire

## EP Series 14



### BEFORE YOU BEGIN

Read these instructions completely and carefully.

#### ⚠ WARNING / AVERTISSEMENT

##### RISK OF ELECTRIC SHOCK

- Turn power off before inspection, installation or removal.
- Properly ground electrical enclosure.

##### RISK OF FIRE

- Follow all NEC and local codes.
- Use only UL or IEC approved wire for input/output connections. Minimum size 18 AWG (0.82mm<sup>2</sup>).

##### RISQUES DE DÉCHARGES ÉLECTRIQUES

- Coupez l'alimentation avant d'inspecter, installer ou déplacer le luminaire.
- Assurez-vous de correctement mettre à la terre le boîtier d'alimentation électrique.

##### RISQUES D'INCENDIE

- Respectez tous les codes NEC et codes locaux.
- N'utilisez que des fils approuvés par UL ou IEC pour les entrées/sorties de connexion. Taille minimum 18 AWG (0.82mm<sup>2</sup>).

## Save These Instructions

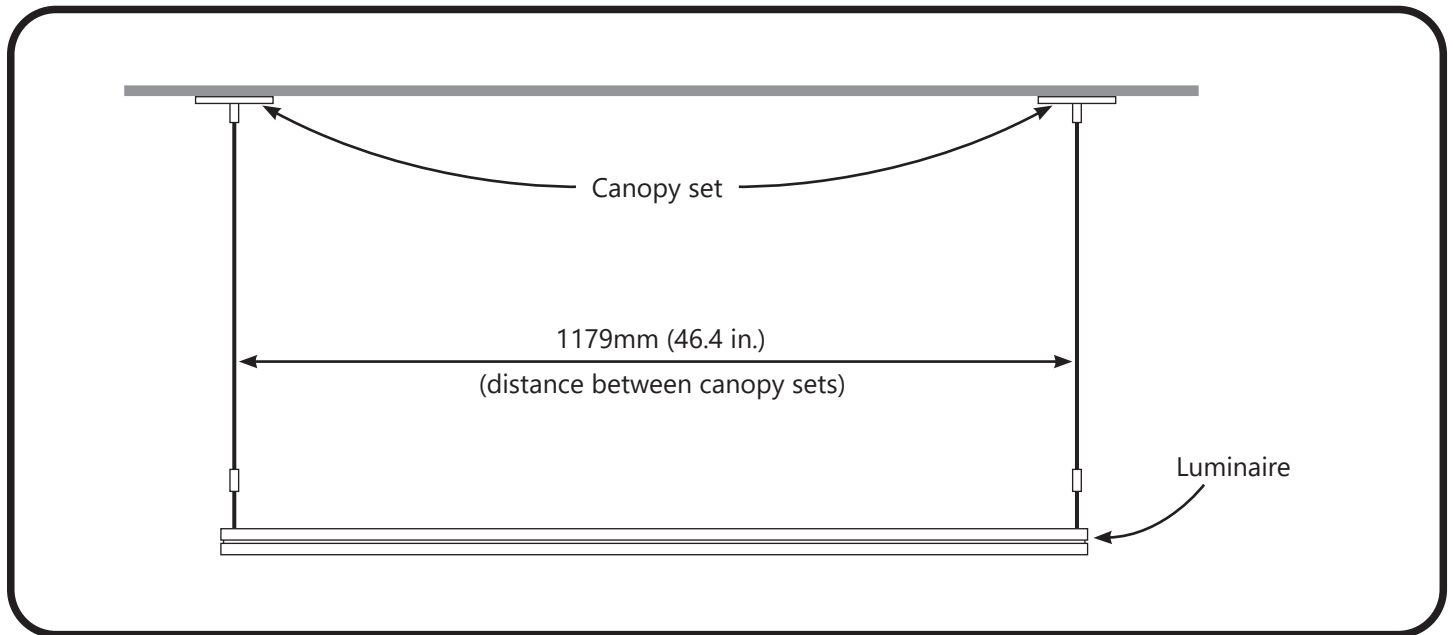
Use only in the manner intended by the manufacturer. If you have any questions, contact the manufacturer.

Each luminaire is to be used with remote driver kit, model no. EP-DKIT400. Wiring to be performed by qualified electrician only.

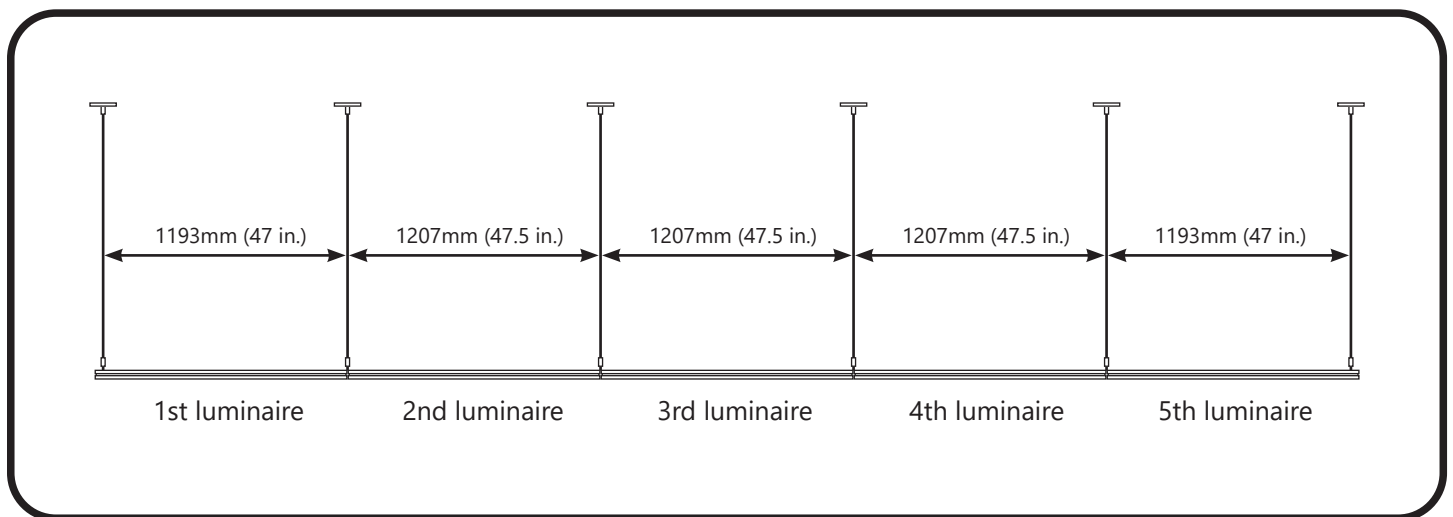
## Features

- Long life (50,000 hour rated life)
- 5 year warranty
- Dry location rated

### Single unit installation scenario:



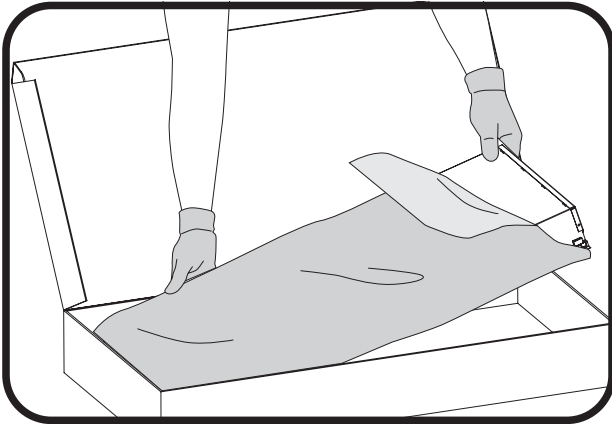
### Multiple units in series installation scenario:



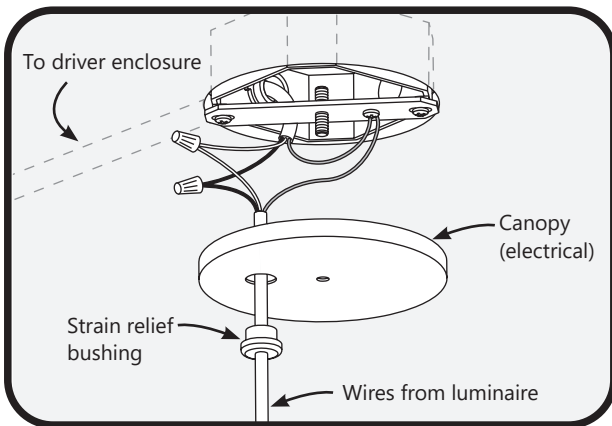
Distance between canopy sets for left and right luminaires = 1193mm (47 in.)  
 Distance between canopy sets for luminaires in the middle = 1207mm (47.5 in.)

Example: To install five units in series, the distance between canopy sets for the 1st (left) and 5th (right) luminaire is 1193mm (47 in.), and the distance between canopy sets for the 2nd, 3rd and 4th (middle) luminaires is 1207mm (47.5 in.).

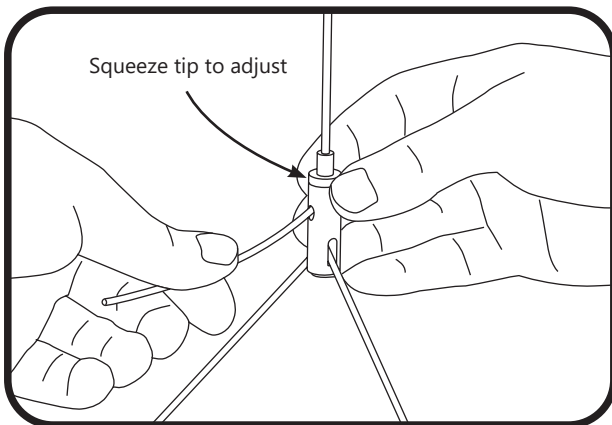
## Unit Installation



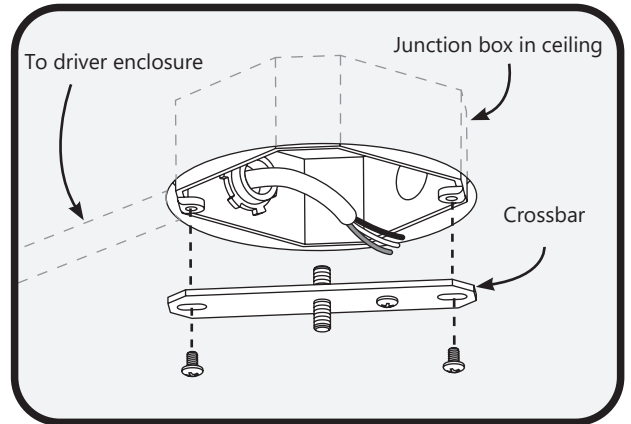
- 1 Carefully unpack unit from its packaging. Properly inspect for defects before installing. Wear work gloves to prevent dirt and oil from being transferred to the luminaire.



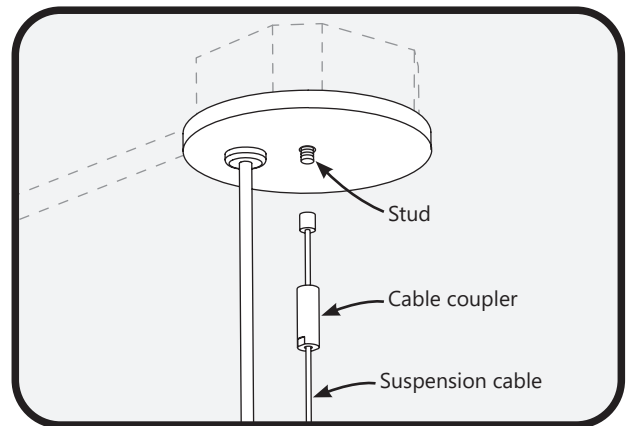
- 3 Connect the black (line) and white (neutral) wires from the luminaire to the matching-colored wires from the driver enclosure. Connect both green wires to the grounding screw. Refer to the EP-DKIT400UV and EP-DKIT400UD LED Driver Installation Instructions for more information.



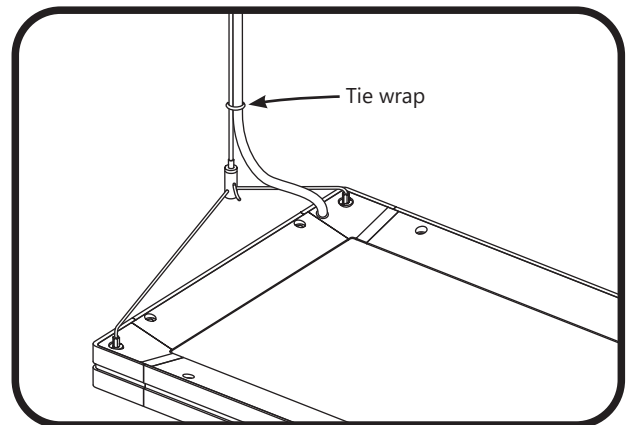
- 5 To adjust height and to level a fixture, squeeze the tip of the gripper and pull the suspension cable to the desired height. Clip the cable with cable cutters to finish the appearance.



- 2 Attach crossbar to junction box in ceiling with two 1/4 inch screws. Repeat on other side.

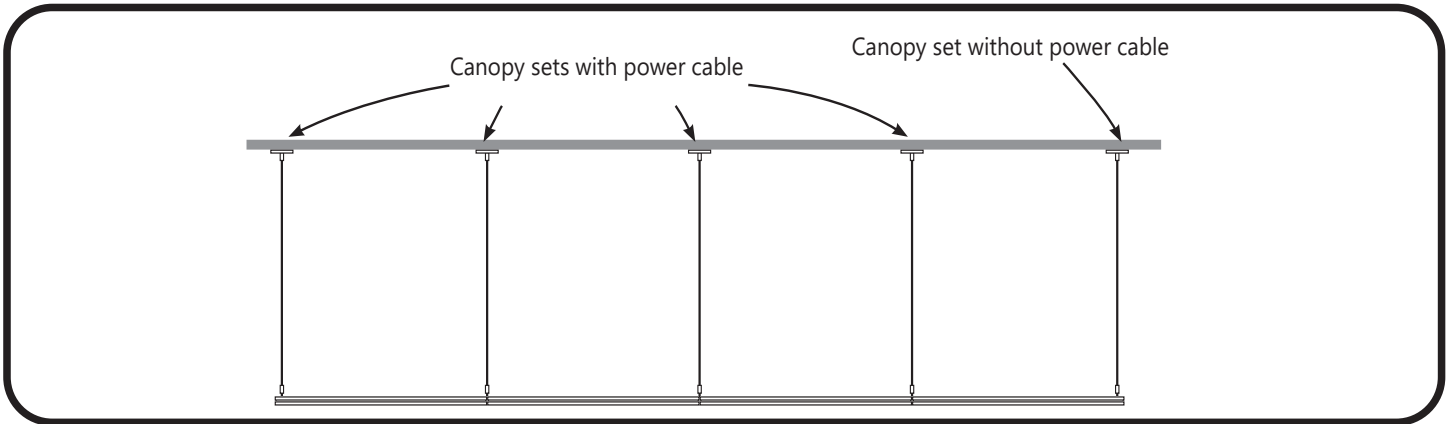


- 4 Fit canopy over stud of crossbar, then screw cable coupler onto stud.

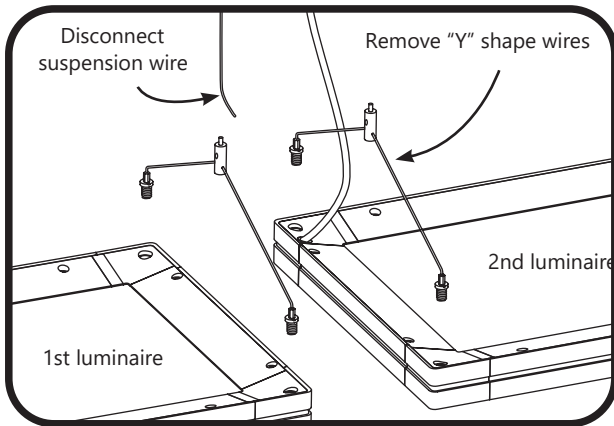


- 6 Optional: For an improved appearance, electrical wire can be tie-wrapped to the suspension wire.

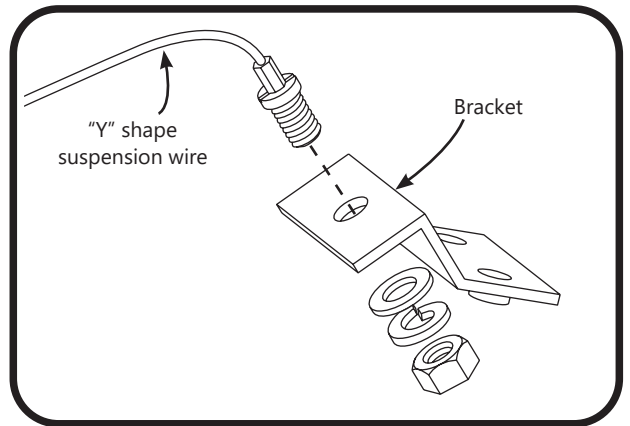
## Optional Mounting Method - Connecting Suspended Fixtures in Series



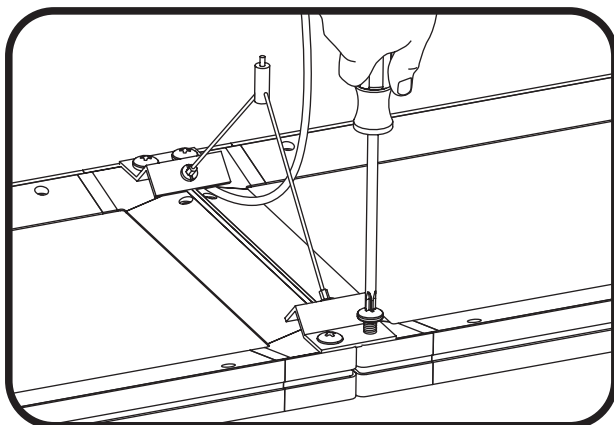
1 For multiple units installed in series, all canopy sets will have a power cable except the last canopy.



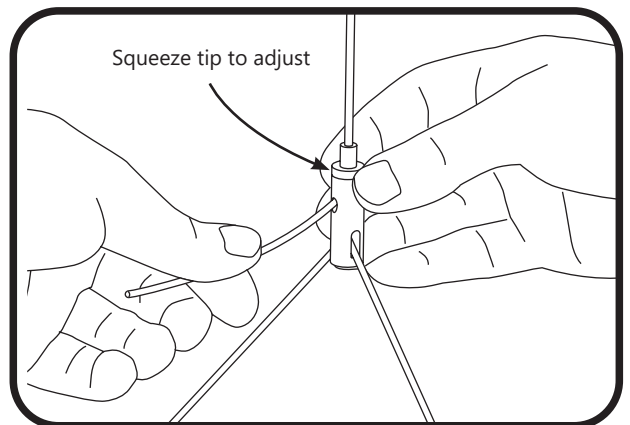
2 On the 1st luminaire, disconnect the right-side suspension wire and "Y" shape suspension wire. Then on the 2nd luminaire, disassemble the left-side "Y" shape suspension wire (this one will not be used).



3 Attach a bracket to each end of the "Y" shape suspension wire using washer, spring washer and M8 nuts. Screw torque should be between  $15.3 \pm 0.8 \text{ kg f}$ .



4 Join 1st and 2nd luminaires together by fastening the brackets on the modified "Y" shape suspension wire from Step 9. Fasten brackets using four M8 screws. Screw torque should be between  $15.3 \pm 0.8 \text{ kg f}$ .



5 Re-attach suspension wire to "Y" shape suspension wire. To adjust height and to level a fixture, squeeze the tip of the gripper and pull the suspension cable to the desired height. Clip the cable with cable cutters to finish the appearance.

## Maximum Driver Remote Mounting Distance

Supply Wire Gauge	Wire Length*
18 AWG (0.82 mm <sup>2</sup> )	59.0 ft. (18 m)
16 AWG (1.31 mm <sup>2</sup> )	98.4 ft. (30 m)
14 AWG (2.08 mm <sup>2</sup> )	154.2 ft. (47 m)
12 AWG (3.31 mm <sup>2</sup> )	249.3 ft. (76 m)

\* Includes fixture's 6.6 ft. (2.0 m) power cord

## Specifications

Input Voltage (VAC)	120 – 277V
Input Power (W)	55W
Input Frequency (Hz)	50/60 Hz
Power Factor	> 0.9
THD	< 20%
Control	0-10V & DALI
Ceilings	Cable Suspension System
Warranty	5 years
Dimensions	47.5 in. x 11.8 in. x 1.38 in. (1206 mm x 299 mm x 35 mm)
Light Fixture Weight	14.3 lbs. (6.5 kg)
Environmental Operating Temperature Range	-10°C to +40°C
Environmental Humidity (non-condensing)	20 to 80% Non-condensing, dry location rated
Environmental Storage Temperature Range	-40°C to +60°C

Conforms to the following standards:

