

Lumination® LED Luminaires

LED Track Light
LTP Track Par Lamp Holder Series



Project name _____

Date _____


Type _____

Product Description:

Lumination® LTP Series Track Lights provide maximum lateral swivel to obtain the perfect aim for any application. Installation is easy with the LTP Series, clip the lamp into a ring or load through the front ring. The firm yoke holds the fixture firmly in place. Lamp is not supplied.

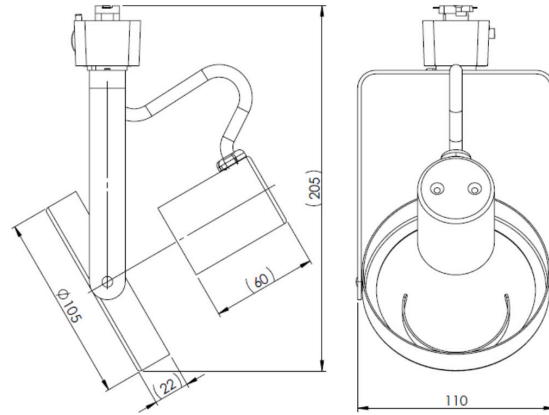
Targeted Performance Summary:

Socket: E26 Medium Skirted Base
Lamp: PAR30 or PAR38 (**Not included**)
Input Voltage: 120V
Max Watts: 250W for PAR38, 75W for PAR30
Limited Warranty: 5 years
Available on QuickShip

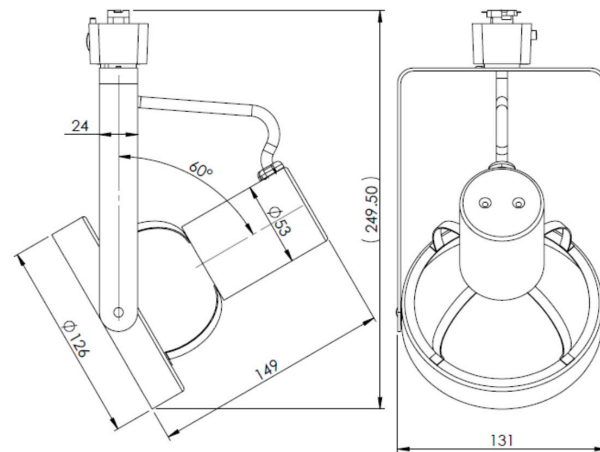
Listings: 

Product Dimensions:

PAR30



PAR38



Ordering Information

L **T P** -- -- **A** **1** -- --

FAMILY	PRODUCT TYPE	FIXTURE TYPE	PAR SIZE	GENERATION	VOLTAGE	MOUNTING	FINISH
L = Indoor	TP = Track PAR	GP = Gimbal FP = Front Replacing	30 = PAR 30 38 = PAR 38	A = 1st Generation	1 = 120V	J1 = Juno 1 & 2 circuits (compatible with Contech) G1 = Global Ecosystem (GES) 1 & 2 circuits L2 = Lightolier Lytespan 1 & 2 circuits	WHITE = White BLCK = Black SLVR = Silver JUWH = Matte White (Only for Juno Tracks)

Accessories:

PRODUCT DESCRIPTION	COMPATIBLE PRODUCTS	MATERIAL DESCRIPTION	MATERIAL
EGG CRATE, GIMBAL, WHITE, PAR30	LTPGP30	LTPGP30ECWHT	93051735
EGG CRATE, GIMBAL, BLACK, PAR30	LTPGP30	LTPGP30ECBLK	93052176
EGG CRATE, GIMBAL, SILVER, PAR30	LTPGP30	LTPGP30ECSLVR	93052182
BARN DOORS, GIMBAL, BLACK, PAR 30	LTPGP30	LTPGP30BDBLCK	93052179
HEXCEL LOUVER, GIMBAL, PAR30	LTPGP30	LTPGP30HX	93052177
EGG CRATE, FRONT LOADING, WHITE, PAR38	LTPFP38	LTPFP38ECWHT	93052180
EGG CRATE, FRONT LOADING, BLACK, PAR38	LTPFP38	LTPFP38ECBLK	93052181
EGG CRATE, FRONT LOADING, SILVER, PAR38	LTPFP38	LTPFP38ECSLVR	93052184
EGG CRATE, HEAVY DUTY, WHITE, PAR38	LTPGP38, LTPFP30	LTPGP38ECWHT	93055171
EGG CRATE, HEAVY DUTY, BLACK, PAR38	LTPGP38, LTPFP30	LTPGP38ECBLK	93055173
EGG CRATE, HEAVY DUTY, SILVER, PAR38	LTPGP38, LTPFP30	LTPGP38ECSLVR	93055172
BARN DOORS, HEAVY DUTY, BLACK, PAR38	LTPGP38	LTPGP38BDBLCK	93055174

QuickShip Products:

SKU	CAT LOGIC	DESCRIPTION	QUICKSHIP LOT SIZE	QUICKSHIP LEAD TIME
93043395	LTPFP38A1J1BLCK	LTP, 120V, PAR38, Front Replacing, Juno Adapter, Black	1-40	1 week
93068790	LTPGP30A1Q2WHT	LTP, 120V, PAR30, Gimbal, Lightolier Adapter, White	1-40	1 week
93043346	LTPGP30A1J1BLCK	LTP, 120V, PAR30, Gimbal, Juno Adapter, Black	1-40	1 week
93043386	LTPGP30A1G1BLCK	LTP, 120V, PAR30, Gimbal, Global Adapter, Black	1-40	1 week
93043398	LTPFP38A1G1BLCK	LTP, 120V, PAR38, Front Replacing, Global Adapter, Black	1-40	1 week
93043391	LTPFP38A1J1WHT	LTP, 120V, PAR38, Front Replacing, Juno Adapter, White	1-40	1 week
93043394	LTPFP38A1G1WHT	LTP, 120V, PAR38, Front Replacing, Global Adapter, White	1-40	1 week
93043397	LTPFP38A1Q2BLCK	LTP, 120V, PAR38, Front Replacing, Lightolier Adapter, Black	1-40	1 week
93043242	LTPGP30A1J1WHT	LTP, 120V, PAR30, Gimbal, Juno Adapter, White	1-40	1 week
93068791	LTPGP30A1Q2BLCK	LTP, 120V, PAR30, Gimbal, Lightolier Adapter, Black	1-40	1 week
93043245	LTPGP30A1G1WHT	LTP, 120V, PAR30, Gimbal, Global Adapter, White	1-40	1 week



Product Specifications:

Construction:

- Designed for long lasting use and maximum flexibility. State of the art rotating mechanisms provided with the ability to position and aim your beam towards your merchandise.

Installation:

- Installs in seconds. See install sheet for more details.

Weight:

- < 1 lb.

For more information and access to all of our resources, including our design tool visit: www.gecurrent.com