

Evolve® LED Post Top

Twin Support Contemporary (EPTC)

Project Name _____

Date _____ Type _____

Notes _____



The **Evolve®** LED Post Top Twin Support Contemporary (EPTC) offers energy efficiency and quality of light in your choice of two distinct, modern styles.



CONSTRUCTION

Housing:	Contemporary housing design. Die cast aluminum base with a spun aluminum top.
Lens:	UV resistant acrylic
Paint:	Corrosion resistant polyester powder paint, minimum 2.0 mil thickness Standard = Black, Dark Bronze RAL & custom colors available
Weight:	29.8 lbs. (13.5 kgs.) – 30.8 lbs. (14.0 kgs.)

OPTICAL SYSTEM

Lumens:	2,900 - 9,500
Distribution:	Symmetric Type V Asymmetric Type III
Efficacy:	103 - 118 LPW
CCT:	3000K, 4000K
CRI (Min):	≥70

ELECTRICAL

Input Voltage:	120-277V and 347-480V
Input Frequency:	50/60Hz
Power Factor:	≥ 90% at rated watts
Total Harmonic Distortion:	≤ 20% at rated watts

SURGE PROTECTION*

STANDARD	OPTIONAL
6kV/3kA	10kV/5kA

*Per ANSI C136.2-2015

LUMEN MAINTENANCE

Projected Lxx per IES TM-21 at 25°C

Lumen Codes	Distribution	LXX(10K) @ Hours		
		25,000 HR	50,000 HR	60,000 HR
03 - 09	A, B	L97	L96	L95

Note: Projected Lxx based on LM80 (≥ 10,000 hour testing). Accepted Industry tolerances apply to initial luminous flux and lumen maintenance measurements.

AMBIENT TEMPERATURE FACTOR

Ambient Temp (°C)	Initial Flux Factor	Ambient Temp (°C)	Initial Flux Factor
10	1.02	30	0.99
20	1.01	40	0.98
25	1.00	50	0.97

RATINGS

Operating Temperature:	-40°C to 50°C
Vibration:	2G per Per ANSI C136.31-2010
LM-79:	Testing in accordance with IES Standards

CONTROLS

Dimming:	Standard - 0-10V Optional - DALI (Option U)
Sensors:	Photo Electric Sensors (PE) available LightGrid Compatible

WARRANTY

5 Year (Standard)

10 Year (Optional)

Evolve® LED Post Top

Twin Support Contemporary (EPTC)

Catalog Logic & Spec Tables

Project Name _____

Date _____ Type _____

Notes _____

EPTC 02

PROD. ID	GEN	VOLTAGE	LUMENS	DISTRIBUTION	CCT	CONTROLS	TOP TYPE	COLOR	OPTIONS
E = Evolve	02	0 = 120-277	03	A = Symmetric Type V	30 = 3000K	1 = None	A = Tiered Circular	BLCK = Black	R = Secondary 10kV/5kA SPD
P = Post Top		H = 347-480V ¹	04	B = Asymmetric Type III	40 = 4000K	A = ANSI C136.41 7-Pin PE Receptacle	B = Tiered Cone	DKBZ = Dark Bronze	U = DALI Programmable ²
TC= Twin Support Contemporary			05			D = ANSI C136.41 7-Pin PE Receptacle w/ Shorting Cap			XXX = Special Options
			06			E = ANSI C136.41 7-Pin PE Receptacle w/ non Dimming PE			
			07						
			08						
			09						

¹ Not available for 03 thru 06 lumen codes

² Not available for 347-480V

OPTICAL CODE	DIST CODE	TYPICAL INITIAL LUMEN OUTPUT		TYPICAL SYSTEM WATTAGE		BUG RATINGS	
		4000K	3000K	120-277V	347-480V	4000K	3000K
03	Symmetric Type V	3100	2900	27	N/A	B2-U0-G1	B2-U0-G1
04		4100	3800	35	N/A	B2-U0-G1	B2-U0-G1
05		5100	4800	43	N/A	B3-U0-G1	B3-U0-G1
06		6400	6000	54	N/A	B3-U0-G1	B3-U0-G1
07		7300	6900	65		B3-U0-G1	B3-U0-G1
08		8400	7900	74		B3-U0-G2	B3-U0-G2
09		9500	8800	85		B3-U0-G2	B3-U0-G2
03		Asymmetric Type III	3100	2900	27	N/A	B1-U0-G1
04	4100		3800	35	N/A	B1-U0-G2	B1-U0-G1
05	5100		4800	43	N/A	B1-U0-G2	B1-U0-G2
06	6400		6000	54		B1-U0-G2	B1-U0-G2
07	7300		6900	65		B1-U0-G2	B1-U0-G2
08	8400		7900	74		B1-U0-G2	B1-U0-G2
09	9500		8800	85		B1-U0-G2	B1-U0-G2

For additional information on EPTC IES files, please click the following link:

[EPTC IES Files](#)

Evolve® LED Post Top

Twin Support Contemporary (EPTC)

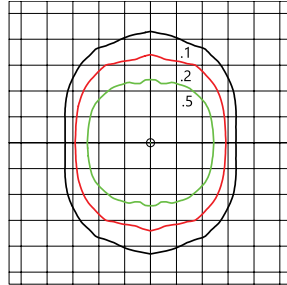
Photometric Plots

Project Name _____

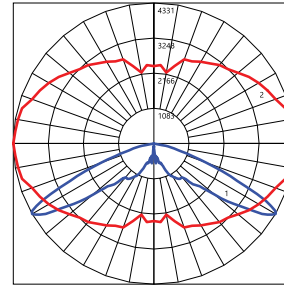
Date _____ Type _____

Notes _____

EPTC02
Symmetric (Type V)
9,500 Lumens
4000K
EPTC02_09A40_IES

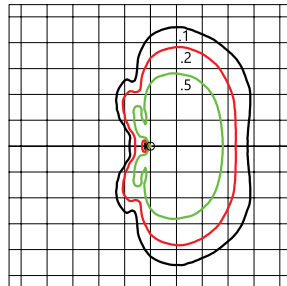


- Grid Distance in Units of Mounting Height at 16'
- Initial Footcandle Values at Grade

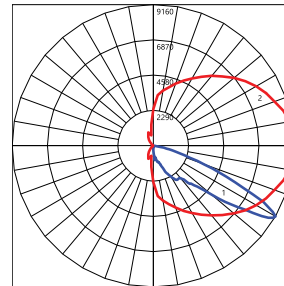


- Vertical plane through horizontal angle of Max. Cd at 0°
- Horizontal cone through vertical angle of Max. Cd at 60°

EPST02
Asymmetric (Type III)
9,500 Lumens
4000K
EPTC02_09B40_IES



- Grid Distance in Units of Mounting Height at 16'
- Initial Footcandle Values at Grade



- Vertical plane through horizontal angle of Max. Cd at 0°
- Horizontal cone through vertical angle of Max. Cd at 60°

Evolve® LED Post Top

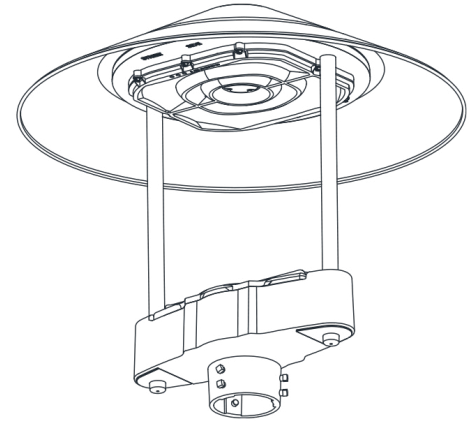
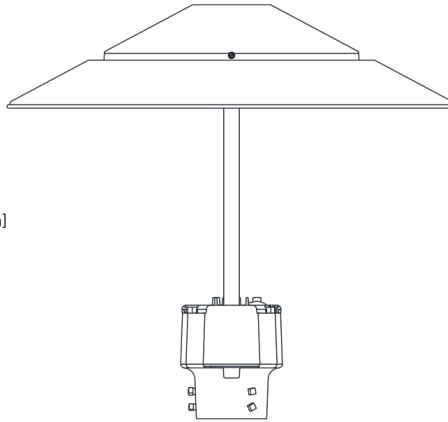
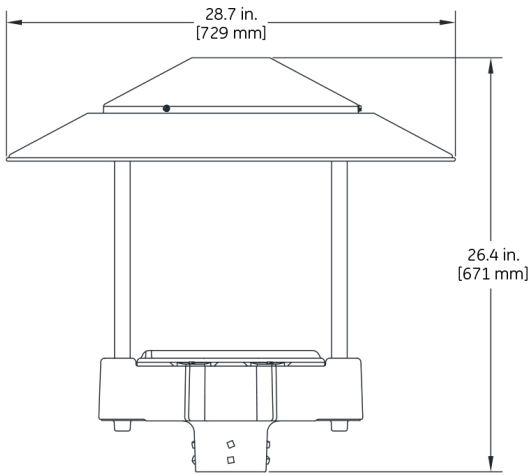
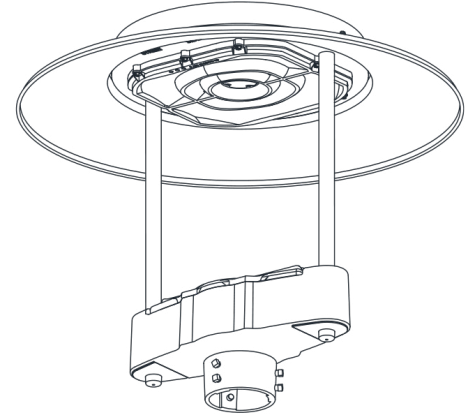
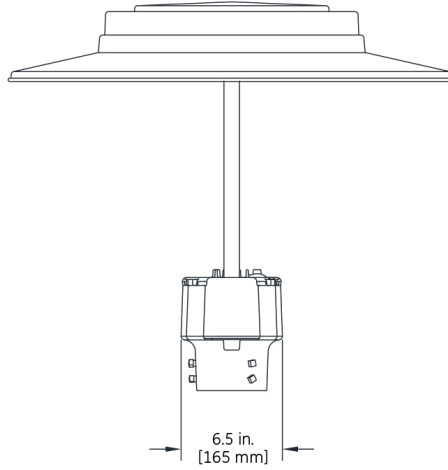
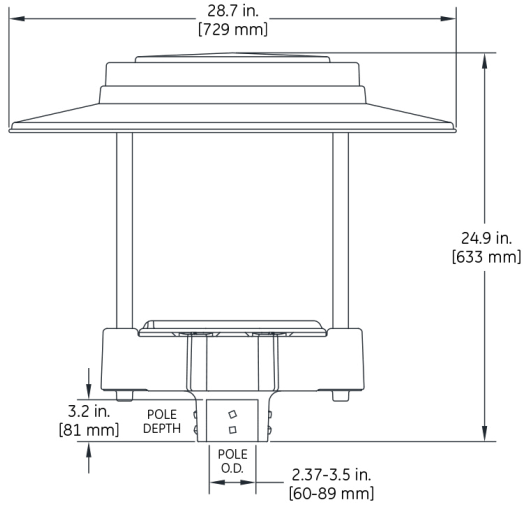
Twin Support Contemporary (EPTC)

Mounting & Accessories

Project Name _____

Date _____ Type _____

Notes _____



MOUNTING

- Mounts to 2-3/8 to 3-inch (60-76mm) OD vertical tenon
- Suggested Mounting Height = 8-16 ft. (2.5-5 m)

WEIGHT

- 29.8 lbs (13.5 kgs) – 30.8 lbs (14.0 kgs)

EFFECTIVE PROJECTED AREA

- 1.12 sq. ft. max (0.10 sq. m)