

# Immersion™

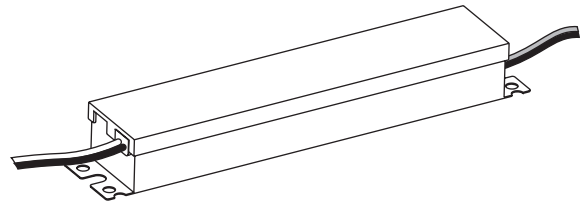
## LED Refrigerated Display Lighting


**24  
Volt**

Vertical &amp; Horizontal Cases

**93077673 100W LED Driver**

GELP24-100U-GLX



## BEFORE YOU BEGIN

Read these instructions completely and carefully.

- |   |   |   |
|---|---|---|
| <p><b>BG</b> Българската версия на инструкциите за инсталация и информация за безопасност могат да бъдат намерени на следния адрес: <a href="https://products.gecurrent.com/eu">https://products.gecurrent.com/eu</a></p> <p><b>CS</b> Návod k montáži a bezpečnostní informace v češtině najdete zde: <a href="https://products.gecurrent.com/eu">https://products.gecurrent.com/eu</a></p> <p><b>DA</b> Den danske version af installationsvejledningen og sikkerhedsoplysninger kan findes på følgende placering: <a href="https://products.gecurrent.com/eu">https://products.gecurrent.com/eu</a></p> <p><b>DE</b> Die deutsche Version der Installationsanleitung und Sicherheitsinformationen finden Sie in folgendem Verzeic: <a href="https://products.gecurrent.com/eu">https://products.gecurrent.com/eu</a></p> <p><b>EL</b> Μπορείτε να βρείτε την ελληνική εκδοχή των οδηγιών εγκατάστασης και των πληροφοριών ασφάλειας στην εξής τοποθεσία: <a href="https://products.gecurrent.com/eu">https://products.gecurrent.com/eu</a></p> <p><b>ES</b> La versión española de las instrucciones de instalación y la información sobre seguridad puede encontrarse en la siguiente ubicación: <a href="https://products.gecurrent.com/eu">https://products.gecurrent.com/eu</a></p> <p><b>ET</b> Eestikeelse paigaldusjuhendi ja ohutusnõuded leiata aadressilt: <a href="https://products.gecurrent.com/eu">https://products.gecurrent.com/eu</a></p> | <p><b>FI</b> Asennusohjeiden ja turvallisuustietojen suomenkielinen versio löytyy seuraavasta paikasta: <a href="https://products.gecurrent.com/eu">https://products.gecurrent.com/eu</a></p> <p><b>FR</b> La version française des instructions d'installations et information de sécurité est disponible à l'adresse suivante: <a href="https://products.gecurrent.com/eu">https://products.gecurrent.com/eu</a></p> <p><b>HR</b> Hrvatska verzija priručnika za ugradnju i sigurnosnih informacija nalazi se na sljedećoj lokaciji: <a href="https://products.gecurrent.com/eu">https://products.gecurrent.com/eu</a></p> <p><b>HU</b> A telepítési útmutató és a biztonság információk magyar nyelvé változata az alábbi címen található: <a href="https://products.gecurrent.com/eu">https://products.gecurrent.com/eu</a></p> <p><b>IT</b> La versione italiana del manuale di installazione e sicurezza può essere reperita nella seguente sezione: <a href="https://products.gecurrent.com/eu">https://products.gecurrent.com/eu</a></p> <p><b>LT</b> Lietuvišką diegimo instrukcijos ir saugos informacijos versiją galima rasti šioje vietoje: <a href="https://products.gecurrent.com/eu">https://products.gecurrent.com/eu</a></p> <p><b>LV</b> Uzstādīšanas instrukciju un drošības informāciju latviešu valodā var atrast šeit: <a href="https://products.gecurrent.com/eu">https://products.gecurrent.com/eu</a></p> | <p><b>NL</b> De Nederlandse versie van de installatie-instructies en veiligheidsinformatie kan op de volgende locatie worden gevonden: <a href="https://products.gecurrent.com/eu">https://products.gecurrent.com/eu</a></p> <p><b>PL</b> Polską wersję instrukcji instalacji oraz informacje dotyczące bezpieczeństwa można znaleźć w następującej lokalizacji: <a href="https://products.gecurrent.com/eu">https://products.gecurrent.com/eu</a></p> <p><b>PT</b> A versão em Português das instruções de instalação e das informações de segurança pode ser encontrada na seguinte localização: <a href="https://products.gecurrent.com/eu">https://products.gecurrent.com/eu</a></p> <p><b>RO</b> Versiunea în limba română a instrucțiunilor de instalare și a informațiilor de siguranță pot fi găsite la: <a href="https://products.gecurrent.com/eu">https://products.gecurrent.com/eu</a></p> <p><b>SV</b> Ni hittar den svenska versionen av installationsanvisningarna och säkerhetsinformationen på följande plats: <a href="https://products.gecurrent.com/eu">https://products.gecurrent.com/eu</a></p> <p><b>SL</b> Previdnostna opozorila in varnostne informacije so na zadnji strani vodnika za namestitve. Pred začetkom namestitve izdelka jih skrbno preberite: <a href="https://products.gecurrent.com/eu">https://products.gecurrent.com/eu</a></p> <p><b>SK</b> Slovenskú verziu montážnej príručky a bezpečnostných instrukcií nájdete na nasledujúcej lokalite: <a href="https://products.gecurrent.com/eu">https://products.gecurrent.com/eu</a></p> |
|---|---|---|

 For the latest North American install guides for your product go to: <https://products.gecurrent.com/sign-lighting/tetra-max>

 For the latest European install guides for your product go to: <https://products.gecurrent.com/eu>

## FOR YOUR SAFETY

Read and observe all CAUTIONS and WARNINGS shown throughout these instructions.

- Installation to be performed by factory trained service personnel only.
- For use inside a commercial refrigeration case with packaged foods only.
- Use this unit only in the manner intended by the manufacturer. If you have any questions, contact the manufacturer.
- Before installing, servicing or cleaning unit, switch power off at the service panel and follow appropriate lock out/tag out safety procedures

## PREPARE ELECTRICAL WIRING



### Electrical Requirements

- The power supply must be supplied with 120-277 VAC, 50/60 Hz, and connected to an individual properly grounded branch circuit, protected by a 15 or 20 ampere circuit breaker or time delay fuse.
- Wiring must be 2 wire with ground and rated for 75°C (167°F).
- All wiring must be done to NEC or local electrical codes.



### Grounding Instructions—Cable Direct

- This lighting system must be connected to a grounded metal, permanent wiring system, or an equipment grounding conductor must be run with the circuit conductors and be connected to the equipment grounding terminal.

**⚠ CAUTION / ATTENTION**

**Risk of injury.** While performing installations described, gloves, safety glasses or goggles should be worn.

**Risque de blessure.** Lors de l'exécution des installations décrites, des gants, des lunettes de sécurité ou des lunettes de protection doivent être portées.

**⚠ UL WARNING / AVERTISSEMENT UL**

**Risk of electrical shock.** Disconnect power before servicing or installing product. LED Retrofit Kit Installation requires knowledge of luminaire electrical systems. If not qualified, do not attempt installation. Contact a qualified electrician. Install this kit only in the luminaires that have the construction features and dimensions shown in the photographs and/or drawings.

**Risque de choc électrique.** Couper le courant avant de réparer ou installer le produit. LED Retrofit Kit d'installation nécessite la connaissance des systèmes lumineux électriques. Si vous n'êtes pas qualifié, ne tentez pas l'installation. Contactez un électricien qualifié. Installez ce kit seulement dans les luminaires qui ont les caractéristiques de construction et les dimensions figurant sur les photographies et / ou des dessins.

This product is intended to be used as a lamp control gear that is installed after the mains control switch.

This device complies with part 15 of the FCC Rules. Operation is subject to the following two conditions: (1) This device may not cause harmful interference, and (2) this device must accept any interference received, including interference that may cause undesired operation. This Class [A] RFLD complies with the Canadian standard ICES-005. Ce DEFR de la classe [A] est conforme à la NMB-005 du Canada.

**NOTE:** This equipment has been tested and found to comply with the limits for a Class A digital device, pursuant to part 15 of the FCC Rules. These limits are designed to provide reasonable protection against harmful interference when the equipment is operated in a commercial environment. This equipment generates, uses, and can radiate radio frequency energy and, if not installed and used in accordance with the instruction manual, may cause harmful interference to radio communications. Operation of this equipment in a residential area is likely to cause harmful interference in which case the user will be required to correct the interference at his own expense.

**① Connect LED Driver - Output**

- For retrofit, place LED driver in the location where the ballast was formerly located.
- Make output (DC) connections as noted below:

Using the wiring diagram in step 3, connect the LED Driver output leads to the LED Light leads using wire connectors or other connection method approved for low temperature usage and solid conductors. **(A)**

For Retrofit: Bundle and safely secure any unused wires by way of approved wire ties and wire connectors.

**② Connect LED Driver - Input**

- Make input (AC) connections as noted below.
- The LED Driver is required to be reliably bonded to the protective ground conductor. **(B)**

Mount the LED Driver to a grounded metal portion of the door frame, connect the LED driver housing to an existing equipment grounding conductor, or run an equipment grounding conductor to the equipment grounding terminal. Using the wiring diagram in step 3, connect the original Line and neutral wires (or Line 1 and Line 2 wires for 277 maximum VAC) to the LED Driver leads using wire connectors or other connection method approved for low temperature usage and solid conductors. **(C)**

**⚠ WARNING / AVERTISSEMENT**

**Risk of electrical shock.** Ensure that all connection points are sealed for damp location using the appropriate method per the NEC or local electrical code.

**Risque de choc électrique.** S'assurer que les points de raccordements sont scellés pour emplacement humide en employant une méthode permise par le NEC ou par le code électrique local.

**⚠ CAUTION / ATTENTION**

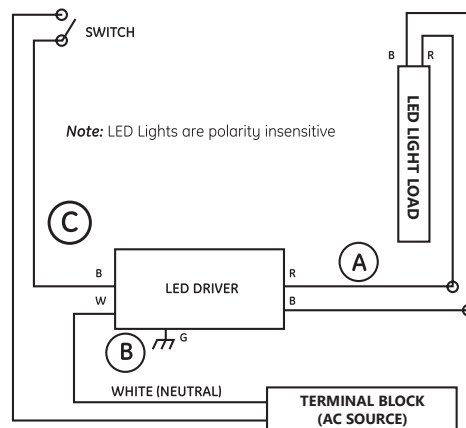
**Risk of injury.** Do not overload LED Driver, 60-watts maximum per driver. Do not exceed the LED light bar loading limits specified on the light bar installation instructions for a 60W driver.

**Risque de blessure.** Ne pas surcharger l'alimentation à DEL. Maximum de 60 watts par alimentation. Ne pas excéder les limites de charge maximale des alimentations telles que spécifiées dans les instructions d'installation.

### 3 Connection Configurations

For information on A, B, C, see Steps 1 and 2. Refer to LED Light Bar installation instructions for LED light bar wiring configurations.

#### Typical Installation



### Remote Mounting Distance

	18 AWG/0.82 mm <sup>2</sup> Supply Wire	16 AWG/1.31 mm <sup>2</sup> Supply Wire	14 AWG/2.08 mm <sup>2</sup> Supply Wire	12 AWG/3.31 mm <sup>2</sup> Supply Wire
100W Power Supply	20 ft./6.1 m	25 ft./7.6 m	35 ft./10.6 m	40 ft./12.1 m

### Troubleshooting

Symptom	Solution
All LED lights are OFF	<ul style="list-style-type: none"> <li>The GELP24-100UGLX features a new built in output overload shutdown feature that automatically resets when the AC supply is removed and reapplied. So if all LED lights are off, first verify whether or not the output can be reset by first switching off then switching back on the AC supply. If the LED lights do not re-light, then proceed to the following solutions.</li> <li>Check AC input connection and/or check circuit breaker.</li> <li>Check wire connection(s) at the LED System and power supply for improper termination(s) or short circuits. Properly terminate or replace the wire connection(s).</li> <li>Check that connections are the (+) wire of the LED light to the (+) wire of the power supply and the (-) wire of the LED light to the (-) wire of the power supply.</li> <li>Ensure the overall LED load does not exceed the maximum load. If so, remove the excess load, and cycle the AC supply to reset the drivers built in overload protection.</li> </ul>
Some LEDs appear dim	<ul style="list-style-type: none"> <li>Ensure the length of supply wire is equal to or below the recommended remote mounting distance.</li> </ul>
Some of the LED lights are not illuminated	<ul style="list-style-type: none"> <li>Check wire connection(s) at the LED light and power supply for improper termination(s) or short circuits. Properly terminate or replace the wire connection(s).</li> <li>Check that connections are the (+) wire of the LED light to the (+) wire of the power supply and the (-) wire of the LED light to the (-) wire of the power supply.</li> </ul>