

Albeo® LED Accessory

Emergency Battery Backup Module



CUSTOMER NAME _____

Project Name _____

Date _____ Type _____

Catalog Number _____

Albeo® expands its high bay product accessories to include an emergency battery backup option. When used in conjunction with any Albeo® product, the emergency battery backup module will meet NFPA 101 requirements for egress lighting when power is not provided to a luminaire.

CONSTRUCTION

Housing:	Stamped Metal
Paint:	White
Weight:	2 lbs (0.91 kg)
Optical Assembly:	<ul style="list-style-type: none">• EBBM lens system enables LEDs to provide optimized illumination for open floor and racked aisles with photometric distributions of 50 and 120 degrees.• Utilizes high brightness LEDs, 70 CRI at 5000K CCT typical• LM-79 tests and reports are performed in accordance to IESNA standards.

OPTICAL SYSTEM

Lumens:	1650lm, 1750lm
Wattage:	Up to 4W
CCT:	5000K
CRI:	70

ELECTRICAL

Input Voltage:	120-277V
EMI:	Title 47 CFR 15 Class A
Charge Mode Power:	<4W

LUMEN AMBIENT TEMPERATURE

TEMPERATURE RATED
0°C to +50°C (32°F to 122°F)

APPLICATIONS

- Designed to meet Life Safety Code NFPA 101 requirements
- Will provide illumination for 90 minutes while in an emergency state*
- Recommended for use with the following Albeo® fixture families: ABC, ABH, ABV, ALC, ALV

*Lighting layout designer to ensure that NFPA 101 is met: initial average of 1fc w/ a 0.1fc minimum. At 90 minutes of operation an average of 0.6fc w/ a 0.06fc minimum must be met. No greater than 40:1 uniformity ratio

MOUNTING

- **Typical Mounting:** 1/2" NPT chase nipple
- Can be field installed

DESIGN LIFE & WARRANTY

- Current's Limited 5-year Warranty:
Please refer to document **IND599** for more information.

ADDITIONAL INFO

- UL 924 Emergency Lighting and Power Equipment



Albeo® LED Accessory

Emergency Battery Backup Module

Ordering Information

CUSTOMER NAME

Project Name _____

Date _____ Type _____

Catalog Number _____

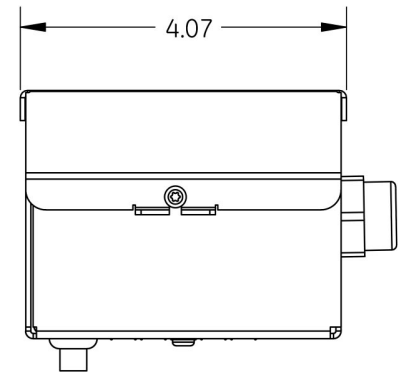
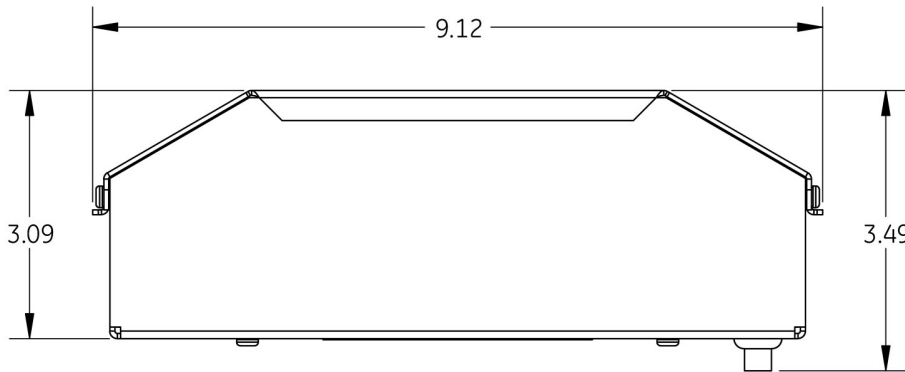
ORDERING INFORMATION:

OPTION CODE	TYPICAL INITIAL LUMENS 70 CRI / 5000K	TYPICAL SYSTEM WATTAGE	MAXIMUM AMBIENT TEMPERATURE
EL1 OR ASM2429 - 93059500	1750	Up to 4W	50°C
EL5 OR ASM2430 - 93059499	1650	Up to 4W	50°C

ORDERING NOTES:

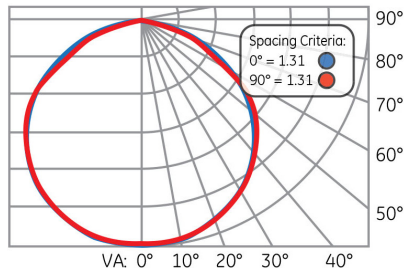
- Use the following option code when ordering Albeo® luminaries:
EL1 for 120° beam pattern
EL5 for 50° beam pattern
 (Example: ABV1xxxxxxxxxxxxxxEL1)
- Use the following ordering codes when ordered as a field installable unit:
93059500 - ASM2429 for 120° beam pattern
93059499 - ASM2430 for 50° beam pattern

PRODUCT DIMENSIONS



PHOTOMETRIC DATA

Distribution 120° Full Beam Angle (EL1)



Distribution 50° Full Beam Angle (EL5)

