

GTX™ 48V (ASTRIN) LED Signal Modules

200 mm and 300 mm

Central Light Source (42V)



Project Name _____

Date _____ Type _____

Notes _____

Current's 14th generation of LED signal, leveraging 15 years of experience & over 6,000,000 units sold worldwide

OUTSTANDING PERFORMANCE

- Up to 80% energy savings vs. 50W incandescent bulb.
- Central light source for a uniform looking signal.
- Phantom class 5.
- Operates from -40°C to +60°C.

MAXIMUM FLEXIBILITY

- Micro-controlled power supply is packed with advanced functionality that can be unlocked and customized to fit your specific needs.
- Low profile module permits efficient installation into existing traffic housings.
- Easy-to-install internal mask compatible to fit your unique signaling needs.*

MEETS RIGOROUS CERTIFICATION & TESTING STANDARDS

- Compliant with EN12368:2006, EN50556, CLC/TS 50509:2007 & EN50293.
- ASTRIN Class II compliant.
- IP65 Ingress Protection Rating.
- Designed and tested through Current's rigorous Six Sigma process.
- 100% of Current signals are performance tested and traceable by serial numbers.

* Sold separately. Refer to masks datasheet TRAF208.



The Greatest Signals Stand the Test of Time.™

GTX™ 48V (ASTRIN) LED Signal Modules

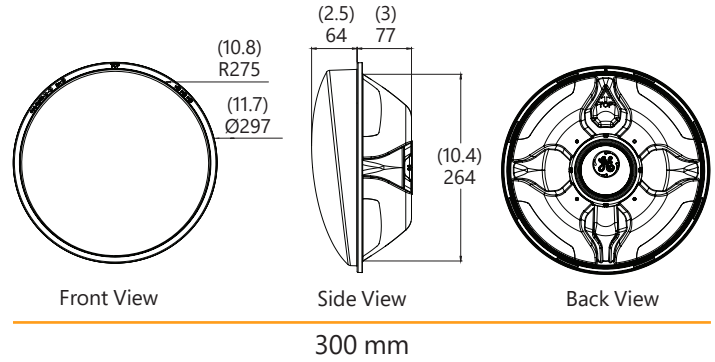
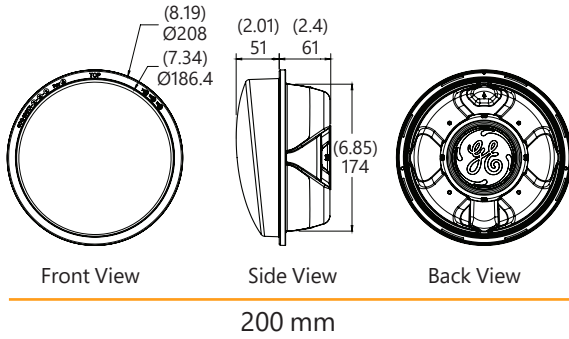
200 mm and 300 mm
Central Light Source (42V)

Project Name _____

Date _____ Type _____

Notes _____

Mechanical Outline Dimensions in mm (inches)



Design Compliance⁴

Test type	Rating
Impact Resistance	IR3
Environmental Class	A, B & C
Ingress Protection	IP65 ¹
Signal with Symbol	S1
EMC	Class B
Vibration	Class AJ2
Solar Radiation	Sa

Operating Specifications

Parameter	Rating
Operating Temperature Range ²	-40°C to +60°C
Operating Voltage Range (Dim mode)	34V-50V (26V-34V)
Power Factor (PF)	> 90%
Total Harmonic Distortion (THD)	< 20%
Minimum Voltage Turn-Off (VTO)	16V
Turn-On/Turn-Off Time	< 50 ms
Front Shell Material	UV Stabilized Polycarbonate

Product Information

Model Number	Front Shell	Size (mm)	Color	Nominal Light Intensity (Cd)	Minimum Light Intensity (Cd)	Maximum Light Intensity (Cd)	Nominal Power (W)	Phantom Class ³	Performance Levels Distribution ³	Beam Type	Uniformity ³	Weight kg (lbs)
DR4-RTFB-71F ⁴	Tinted	200	RED	600	400	800	10	5	A3/1;	Type N,W,M	> 1:10	0.7 (1.5)
DR4-RCFB-71F	Black	200	RED	600	400	800	10	5		Type N,W,M	> 1:10	0.7 (1.5)
DR4-YTFB-71F ⁴	Tinted	200	YELLOW	650	400	800	9	5		Type N,W,M	> 1:10	0.7 (1.5)
DR4-YTFB-71F	Black	200	YELLOW	650	400	800	9	5		Type N,W,M	> 1:10	0.7 (1.5)
DR4-GTFB-71F ⁴	Tinted	200	GREEN	650	400	800	9	5		Type N,W,M	> 1:10	0.7 (1.5)
DR4-YTFB-71F	Black	200	GREEN	650	400	800	9	5		A2/1;	Type N,W,M	> 1:10
DR6-RTFB-71F ⁴	Tinted	300	RED	550	400	800	11	5	A3/2;	Type N,W,M	> 1:10	1.1 (2.4)
DR6-RCFB-71F	Black	300	RED	550	400	800	11	5	Type N,W,M	> 1:10	1.1 (2.4)	
DR6-YTFB-71F ⁴	Tinted	300	YELLOW	650	400	800	12	5	A2/2.	Type N,W,M	> 1:10	1.1 (2.4)
DR6-YTFB-71F	Black	300	YELLOW	650	400	800	12	5		Type N,W,M	> 1:10	1.1 (2.4)
DR6-GTFB-71F ⁴	Tinted	300	GREEN	550	400	800	11	5		Type N,W,M	> 1:10	1.1 (2.4)
DR6-YTFB-71F	Black	300	GREEN	550	400	800	11	5		Type N,W,M	> 1:10	1.1 (2.4)

¹ Can be increased as an option, contact your Current representative for more information.

² For a higher temperature range, please contact your Current representative.

³ As defined in EN 12368:2006.

⁴ Tinted SKUs available. Please contact your sales representative for more information.

Mask Information



Refer to GTX masks datasheet TRAF208.