

GTXTM LED Signal Modules

8 and 12 inch
Incandescent look (120V)



Project Name _____

Date _____ Type _____

Notes _____



Current's 14th generation of LED signal, leveraging 15 years of experience & over 6,000,000 units sold worldwide

OUTSTANDING PERFORMANCE

- Consumes up to 15% less power than Current's previous signal generation.
- Intelligent controller measures usage and temperature. Will automatically adjust to compensate for light output degradation over time.*
- Over-molded electrical connectors prevent water wicking through wires.

MAXIMUM FLEXIBILITY

- New micro-controlled power supply is packed with advanced functionality that can be unlocked and customized to fit your specific needs.
- Low profile module permits efficient installation into existing traffic housings.
- Power consumption levels allow compatibility with most controllers.
- Offers multiple dimming configurations for ultimate customization.**
- Mask compatible to fit your unique signaling needs.***

MEETS RIGOROUS CERTIFICATION & TESTING STANDARDS

- Compliant to NYSDOT Specifications.

* Compensation levels vary depending on color.

** Customer controller and load switch compatibility testing may be required. Please contact your Current representative for details.

***Sold separately. Refer to masks datasheet TRAF208.



The Greatest Signals Stand the Test of Time.™

GTX™ LED Signal Modules

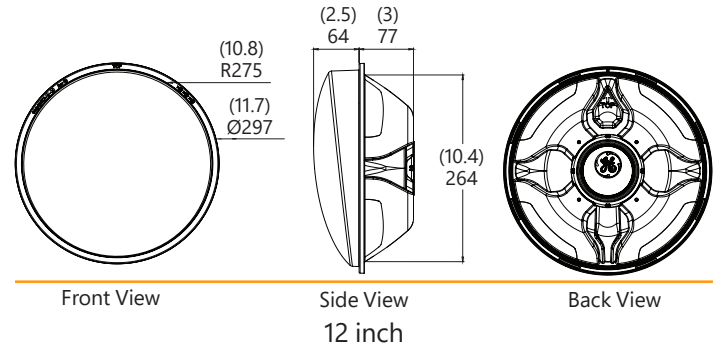
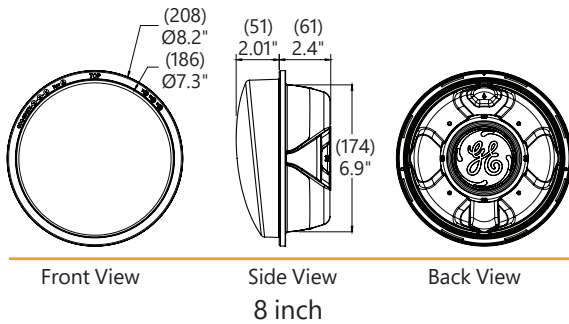
8 and 12 inch

Project Name _____

Date _____ Type _____

Notes _____

Mechanical Outline Dimensions in inches (mm)



Design Compliance

| Test type | Compliance |
|------------------------------|--|
| Luminous Intensity | ITE VTCSH-LED Circular Signal Supplement-June 2005 |
| Chromaticity | ITE VTCSH-LED Circular-June 2005 |
| Moisture Resistance | Blown Wind Rain MIL-STD-810F method 506.4 |
| Mechanical Vibration | MIL-STD-883 Method 2007 |
| Electronic Noise | FCC Title 47 Sub. B Sec 15 ¹ |
| Transient Voltage Protection | Sec. 2.1.6 NEMA TS2-2003, 300V, 2500W Sec. 2.1.6 NEMA TS2-2003, 600V, 10µF Sec. 2.1.8 NEMA TS2-2003, 1kV, 2Ω |
| Controller Compatibility | ITE VTCSH-LED Circular Signal Supplement-June 2005 |
| Wiring | NFPA 70, National Electric Code |
| Transient Suppression | Sec. 8.2 IEC 61000-4-5 & Sec. 6.1.2 ANSI/IEEE C62.41.2 - 2002, 3kV, 2 Ω Sec. 8.0 IEC 61000-4-12 & Sec. 6.1.1 ANSI/IEEE C62.41.2 - 2002, 6kV, 30 Ω |

Operating Specifications

| Parameter | Rating |
|---------------------------------|--|
| Operating Temperature Range* | -40 to +74°C (-40 to +165°F) |
| Operating Voltage Range | 80 to 135 V (60Hz AC) |
| Power Factor (PF) | > 90% |
| Total Harmonic Distortion (THD) | < 20%** |
| Minimum Voltage Turn-Off (VTO) | 35 V |
| Turn-On/Turn-Off Time | < 50 ms |
| Lens & Shell Material | UV Stabilized Polycarbonate |
| Wiring | 16 AWG, Color Coded with Strain Relief 40in long |
| Dimming Option ² | As per Section 5.8 of ITE VTCSH-LED Circular Signal Supplement-June 2005 |

* Operating Temperature Range per ITE 2005, Section 3.3.2

** Compliant when current pulse generator not operational

Product Information

| Model Number | Front Shell | Size (in) | Nominal AC Voltage | Nominal Power ³ (W) | Nominal Wavelength (nm) | Minimum Maintained Intensity ⁴ (Cd) |
|--------------------|-------------|-----------|--------------------|--------------------------------|-------------------------|--|
| ● DR4-RTFB-77A-002 | Tinted | 8 | 120V - 60Hz | 7.7 | 626 | 165 |
| ○ DR4-YCFB-77A-002 | Clear | 8 | 120V - 60Hz | 10.7 | 589 | 410 |
| ○ DR4-GCFB-77A-002 | Clear | 8 | 120V - 60Hz | 8.0 | 503 | 215 |
| ● DR6-RTFB-77A-002 | Tinted | 12 | 120V - 60Hz | 9.1 | 625 | 365 |
| ○ DR6-YCFB-77A-002 | Clear | 12 | 120V - 60Hz | 12.5 | 589 | 910 |
| ○ DR6-GCFB-77A-002 | Clear | 12 | 120V - 60Hz | 11.0 | 502 | 475 |

Distributed by:

Standard product equipped with universal connectors (insulated spade-quick disconnect). All lamps available in tinted or clear lens.

¹ Class A

² Customer controller and load switch compatibility testing may be required. Please contact your Current representative for details.

³ Power consumption for DR4-RTFB-77A-002, DR4-GCFB-77A-002, DR6-RTFB-77A-002, DR6-YCFB-77A-002, could slightly increase over time to ensure light degradation compensation.

⁴ Measured at vertical angle of -2.5° and at horizontal angle of 0°.