

### MAIN FUNCTIONS

The fire bowl is for decorative purpose with an approximate burning time of 50-70 minutes. Do not use the fire to heat or boil water or as a cooking appliance. Do not put charcoal, paper, wood or other combustible objects into the fire. Make sure to place the Flame Snuffer on when not in use.

### IMPORTANT SAFETY INFORMATION

#### WARNING:

When burning Bioethanol Fuel, water-vapor and carbon dioxide are produced.

Never leave an open fire unattended at any time!

**CAUTION:** Item gets hot while in operation. Do not touch the fire bowl while burning. Please allow at least 15 minutes to cool down before touching the product after flame is extinguished.

**CAUTION:** Risk of burns. Do not operate the fire bowl without the glass completely attached.

Never pour fuel into an open flame or into the burner reservoir unless it has cooled down for at least 15 minutes after use.

Do not place any flammable material within 1 meter/ 40 inches around the fire bowl. A safety distance of at least 2 meters/80 inches should be kept from any window or curtain. Do not burn under over hanging items.

**CAUTION:** Do not smoke while handling the fuel.

#### WARNING:

##### I. Risk of Explosion

a. Never use any fuel other than Bioethanol (or Citronella) Fuel. Never use gasoline.

b. Never use the appliance in areas where flammable vapors or gas may be present.

c. Never store or transport the fuel other than in a metal or plastic container that is acceptable for use with the specified fuel in accordance with the Consumer Chemicals and Containers Regulations 2001 and is the original container for the specified fuel.

d. Never store fuel in the living space or in the same location as the appliance.

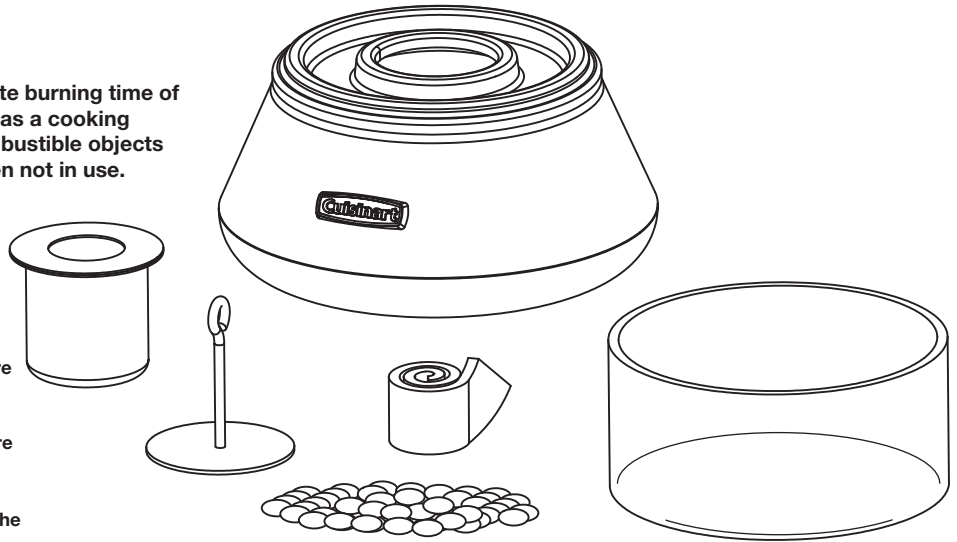
II. Due to high surface temperatures, keep children, clothing, and furniture away.

III. Do not use the appliance to heat or boil water or use as a cooking appliance.

IV. Do not use in a room with Oxygen tanks in use. Do not use the appliance in a bathroom, a room where sleeping accommodation is provided or any other small room.

V. Do not operate without installing the protective windproof tempered glass cover.

VII. Risk of Indoor Air Pollution - Use fire bowl only in well-ventilated areas and with doors of adjacent room open. People with breathing problems should consult a physician before using the fire bowl.

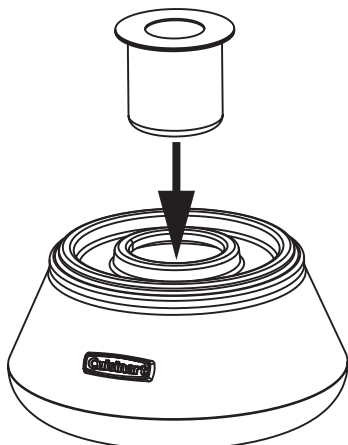


### ASSEMBLY

Before assembling, carefully remove all the packaging materials and check to make sure all the product parts are included. If anything is damaged or missing, please contact Consumer Care at [grilling@thefulhamgroup.com](mailto:grilling@thefulhamgroup.com).

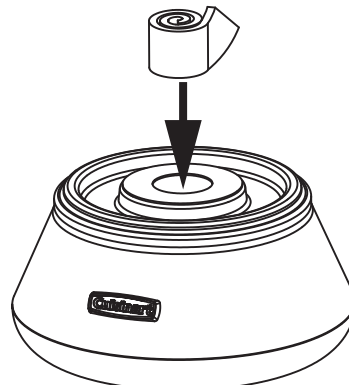
#### Step 1.

Place Wick & Fuel Holder into the middle of the Fire Bowl Base.



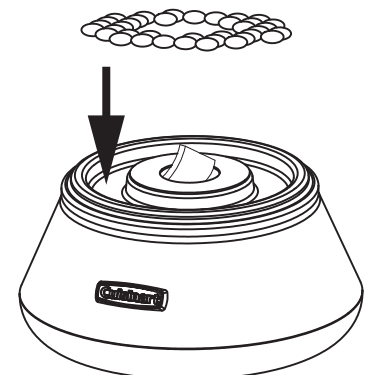
#### Step 2.

Loosely roll up the Ceramic Fiber Cotton Wick and place in the middle of the Wick & Fuel Holder.



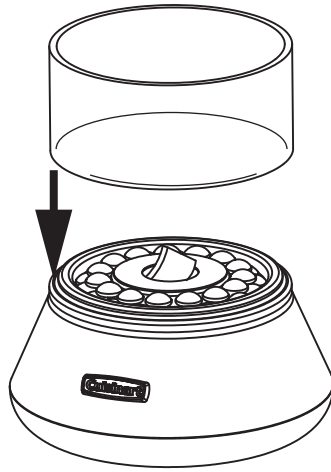
#### Step 3.

Place the Polished Glass Stones in the divot around the top of the Fuel Holder.



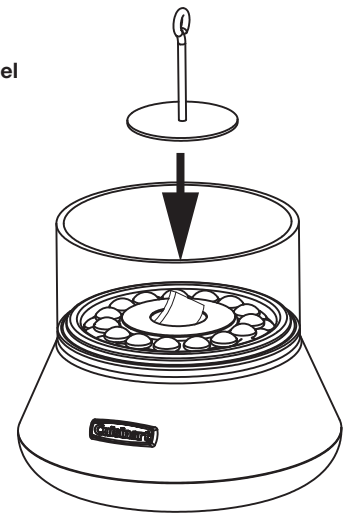
#### Step 4.

Place the Glass Cover on the Fire Bowl Base as shown.



#### Step 5.

Place Flame Snuffer over the Fuel Holder when not in use.



### TO USE

1. Make sure the fire bowl is clean and free of packing debris. Remove Glass Cover from unit. Next, fill Wick & Fuel Holder 2/3rd of the way full with bioethanol fuel (or Citronella). Do not overfill or spill. Note, if the holder is filled to the top, the unit will not light.

**CAUTION:** Any spilled bioethanol fuel must be removed with an absorbent tissue and cleaned with water to prevent ignition outside the burner reservoir. Spilled fuel may lead to stains on parquet flooring. Fuel must be kept in safe distance (min. 40 inch) to the fire bowl. Do not place fuel in front of the fire bowl.

2. Keeping an arm's length distance, use a Candle Lighter (not included) to light ceramic fiber cotton wick until a flame is visible.

3. Carefully place the Glass Cover on the Fire Bowl Base.

4. Let the fuel burn out completely if possible. This prevents fuel left in the burner and deflagration when reigniting.

5. To put flame out, use the Flame Snuffer and wait until the flame is extinguished. Wait approximately 20 minutes until the burner has reached room temperature. Only then dispose of the remaining fuel according to manufacturers instructions.

**Note:** In case the flame is not extinguished immediately, please place the Flame Snuffer over the Fuel Container and wait approximate 10-15 minutes to allow the flame to cool down. Repeat the above instructions until the flame is fully extinguished.

It is urgently recommended that you keep a Class B fire extinguisher at hand close to the device in case of fire.

#### CAUTION:

- Never leave an open fire unattended at any time!
- Never pour fuel into the burning flame.
- Never extinguish the flame with water!

**WARNING:** Allow the burner to cool down for at least 15 minutes before refilling. Never refill the burner when the fire bowl is operating or still hot.

### CLEANING INSTRUCTION

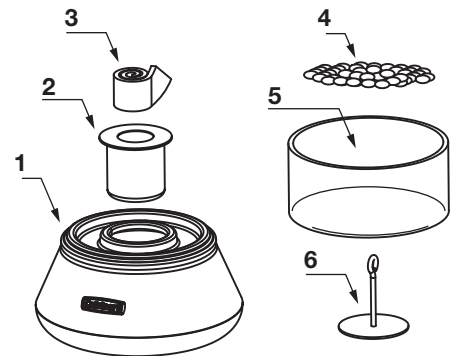
After each use, the burner surfaces must be cleaned regularly. Use warm water and dish soap. If the burner is not cleaned after each use, bad odors or rusting can occur.

**CAUTION:** Never use chemical, steel-wool or scrubbing sponges; these can scratch the surface. The manufacturer cannot be held responsible for any damages resulting out of wrongful use and/ or cleaning of the products.

### PARTS LIST

No.	Description	Qty.
1	S60000 Main Body	1
2	S60003 Wick & Fuel Holder	1
3	S60005 Ceramic Fiber Cotton Wick	1

No.	Description	Qty.
4	S60002 Polished Glass Stones	1
5	S60001 Windproof Tempered Glass Cover	1
6	S60004 Flame Snuffer	1



#### DO NOT RETURN PRODUCT TO THE STORE

Before visiting your local retailer, please email [grilling@thefulhamgroup.com](mailto:grilling@thefulhamgroup.com), call 1-866-994-6390, or visit [www.thefulhamgroup.com](http://www.thefulhamgroup.com) to online chat with a representative. To best serve you, our Representatives are available to answer your calls and live chats Monday to Friday, 9 AM - 5 PM EST.

Get Social With Us @CuisinartBBQ



See our full line of premium Cuisinart® Outdoor Cooking Products at [www.cuisinart.com/outdoorgrilling](http://www.cuisinart.com/outdoorgrilling)

©2021 Cuisinart  
Cuisinart® is a registered trademark under license to The Fulham Group.  
Distributed by The Fulham Group, Newton, MA. 02466 U.S.A. MADE IN CHINA.  
One Year Limited Warranty.

Model # COH-700  
North American Distributor:  
The Fulham Group  
Newton, MA 02466

**Cuisinart**  
SAVOR THE GOOD LIFE