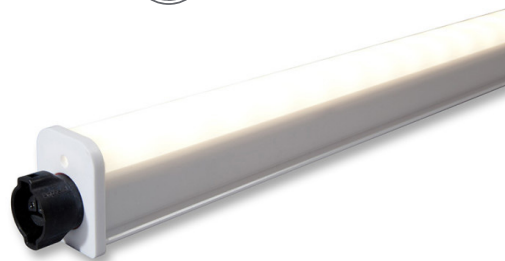


Wet Rated Batten LED Luminaire

LED Lighting System



BEFORE YOU BEGIN

Read these instructions completely and carefully.

- | | | |
|---------------------------------------------------------------------------------------------------------------------------------------------------------------------------------------------------------------------------------------------------------------------------------------------------------------------------------------------------------------------------------------------------------------------------------------------------------------------------------------------------------------------------------------------------------------------------------------------------------------------------------------------------------------------------------------------------------------------------------------------------------------------------------------------------------------------------------------------------------------------------------------------------------------------------------------------------------------------------------------------------------------------------------------------------------------------------------------------------------------------------------------------------------------------------------------------------------------------------------------------------------------------------------------------------------------------------------------------------------------------------|---------------------------------------------------------------------------------------------------------------------------------------------------------------------------------------------------------------------------------------------------------------------------------------------------------------------------------------------------------------------------------------------------------------------------------------------------------------------------------------------------------------------------------------------------------------------------------------------------------------------------------------------------------------------------------------------------------------------------------------------------------------------------------------------------------------------------------------------------------------------------------------------------------------------------------------------------------------------------------------------------------------------------------------------------------------------------------------------------------------------------------------------------------------------------------------------------------------------------------------------------------------------------------------------------------------------------------------------------|---------------------------------------------------------------------------------------------------------------------------------------------------------------------------------------------------------------------------------------------------------------------------------------------------------------------------------------------------------------------------------------------------------------------------------------------------------------------------------------------------------------------------------------------------------------------------------------------------------------------------------------------------------------------------------------------------------------------------------------------------------------------------------------------------------------------------------------------------------------------------------------------------------------------------------------------------------------------------------------------------------------------------------------------------------------------------------------------------------------------------------------------------------------------------------------------------------------------------------------------------------------------------------------------------------------------------------------------------------------------------------------------------------------------------------------------------------------------------------------------|
| <p>BG Българската версия на инструкциите за инсталация и информацията за безопасност могат да бъдат намерени на следния адрес: https://gecurrent.com/eu-en</p> <p>CS Návod k montáži a bezpečnostní informace v češtině najdete zde: https://gecurrent.com/eu-en</p> <p>DA Den danske version af installationsvejledningen og sikkerhedsoplysninger kan findes på følgende placering: https://gecurrent.com/eu-en</p> <p>DE Die deutsche Version der Installationsanleitung und Sicherheitsinformationen finden Sie in folgendem Verzeic: https://gecurrent.com/eu-en</p> <p>EL Μπορείτε να βρείτε την ελληνική εκδχή των οδηγιών νκατάστασης και των πληροφοριών ασφάλειας στην εξής τοποθεσία: https://gecurrent.com/eu-en</p> <p>ES La versión española de las instrucciones de instalación y la información sobre seguridad puede encontrarse en la siguiente ubicación: https://gecurrent.com/eu-en</p> <p>ET Eestikeelse paigaldusjuhendi ja ohutusnõuded leiata aadressilt: https://gecurrent.com/eu-en</p> | <p>FI Asennusohjeiden ja turvallisuustietojen suomenkielinen versio löytyy seuraavasta paikasta: https://gecurrent.com/eu-en</p> <p>FR La version française des instructions d'installations et information de sécurité est disponible à l'adresse suivante: https://gecurrent.com/eu-en</p> <p>HR Hrvatska verzija priručnika za ugradnju i sigurnosnih informacija nalazi se na sljedećoj lokaciji: https://gecurrent.com/eu-en</p> <p>HU A telepítési útmutató és a biztonságai információk magyar nyelvű változata az alábbi címen található: https://gecurrent.com/eu-en</p> <p>IT La versione italiana del manuale di installazione e sicurezza può essere reperita nella seguente sezione: https://gecurrent.com/eu-en</p> <p>LT Lietuvišką diegimo instrukcijos ir saugos informacijos versiją galima rasti šioje vietoje: https://gecurrent.com/eu-en</p> <p>LV Uzstādīšanas instrukciju un drošības informāciju latviešu valodā var atrast šeit: https://gecurrent.com/eu-en</p> | <p>NL De Nederlandse versie van de installatie-instructies en veiligheidsinformatie kan op de volgende locatie worden gevonden: https://gecurrent.com/eu-en</p> <p>PL Polska wersję instrukcji instalacji oraz informacje dotyczące bezpieczeństwa można znaleźć w następującej lokalizacji: https://gecurrent.com/eu-en</p> <p>PT A versão em Português das instruções de instalação e das informações de segurança pode ser encontrada na seguinte localização: https://gecurrent.com/eu-en</p> <p>RO Versiunea în limba română a instrucțiunilor de instalare și a informațiilor de siguranță pot fi găsite la: https://gecurrent.com/eu-en</p> <p>SV Ni hittar den svenska versionen av installationsanvisningarna och säkerhetsinformationen på följande plats: https://gecurrent.com/eu-en</p> <p>SL Previdnostna opozorila in varnostne informacije so na zadnji strani vodnika za namestitev. Pred začetkom namestitve izdelka jih skrbno preberite: https://gecurrent.com/eu-en</p> <p>SK Slovenskú verziu montážnej príručky a bezpečnostných instrukcii nájdete na nasledujúcej lokalite: https://gecurrent.com/eu-en</p> |
|---------------------------------------------------------------------------------------------------------------------------------------------------------------------------------------------------------------------------------------------------------------------------------------------------------------------------------------------------------------------------------------------------------------------------------------------------------------------------------------------------------------------------------------------------------------------------------------------------------------------------------------------------------------------------------------------------------------------------------------------------------------------------------------------------------------------------------------------------------------------------------------------------------------------------------------------------------------------------------------------------------------------------------------------------------------------------------------------------------------------------------------------------------------------------------------------------------------------------------------------------------------------------------------------------------------------------------------------------------------------------|---------------------------------------------------------------------------------------------------------------------------------------------------------------------------------------------------------------------------------------------------------------------------------------------------------------------------------------------------------------------------------------------------------------------------------------------------------------------------------------------------------------------------------------------------------------------------------------------------------------------------------------------------------------------------------------------------------------------------------------------------------------------------------------------------------------------------------------------------------------------------------------------------------------------------------------------------------------------------------------------------------------------------------------------------------------------------------------------------------------------------------------------------------------------------------------------------------------------------------------------------------------------------------------------------------------------------------------------------|---------------------------------------------------------------------------------------------------------------------------------------------------------------------------------------------------------------------------------------------------------------------------------------------------------------------------------------------------------------------------------------------------------------------------------------------------------------------------------------------------------------------------------------------------------------------------------------------------------------------------------------------------------------------------------------------------------------------------------------------------------------------------------------------------------------------------------------------------------------------------------------------------------------------------------------------------------------------------------------------------------------------------------------------------------------------------------------------------------------------------------------------------------------------------------------------------------------------------------------------------------------------------------------------------------------------------------------------------------------------------------------------------------------------------------------------------------------------------------------------|

For the latest North American install guides for your product go to:

<https://www.gecurrent.com/outdoor-lighting/led-signage-lighting/border-and-canopy/tetra-batten>

For the latest European install guides for your product go to: <https://www.gecurrent.com/eu-en>

Prepare Electrical Wiring **FOR UL ONLY**



Electrical Requirements

- Acceptable for use in dry, damp and wet locations.
- Follow all National Electric Codes (NEC) and local codes.

The light source of this luminaire is not replaceable; when the light source reaches its end of life the whole luminaire shall be replaced.

If the external flexible cable or cord of this luminaire is damaged, it shall be replaced by a special cord or cord exclusively available from the manufacturer, his service agent or a qualified specialist.

Save These Instructions

Use only in the manner intended by the manufacturer. If you have any questions, contact the manufacturer.

⚠ WARNING / AVERTISSEMENT**RISK OF ELECTRIC SHOCK**

- Turn power off before inspection, installation or removal.
- The electrical supply for each luminaire must always be connected to the male connector.
- Not to be submerged or used in a marine environment.

RISK OF FIRE

- Follow all local codes.

RISQUES DE DÉCHARGES ÉLECTRIQUES

- Coupez l'alimentation avant l'inspection, l'installation ou le déplacement.
- L'alimentation électrique pour chacun des luminaires doit toujours être branché du côté mâle de la prise.
- Ne pas submerger ou installer dans un environnement marin.

RISQUES D'INCENDIE

- Respectez tous les codes locaux.

This device complies with Part 15 of the FCC Rules. Operation is subject to the following two conditions: (1) This device may not cause harmful interference, and (2) this device must accept any interference received, including interference that may cause undesired operation.
CAN ICES-005 (A) / NMB-005 (A)

Note: This equipment has been tested and found to comply with the limits for a Class A digital device, pursuant to part 15 of the FCC Rules. These limits are designed to provide reasonable protection against harmful interference when the equipment is operated in a commercial environment. This equipment generates, uses, and can radiate radio frequency energy and, if not installed and used in accordance with the instruction manual, may cause harmful interference to radio communications. Operation of this equipment in a residential area is likely to cause harmful interference in which case the user will be required to correct the interference at his own expense.

Please contact support at tetra.support@gecurrent.com with regard to applications other than horizontal. In these applications, batten luminaires should not be directly interconnected and the male connector (power input) should be in the upward orientation with the female end facing down.



Electrical products must not be thrown out with domestic waste. They must be taken to a communal collecting point for environmentally friendly disposal in accordance with local regulations. Contact your local authorities or stockist for advice on recycling. The packaging material is recyclable. Dispose of the packaging in an environmentally friendly manner and make it available for the recyclable material collection-service.



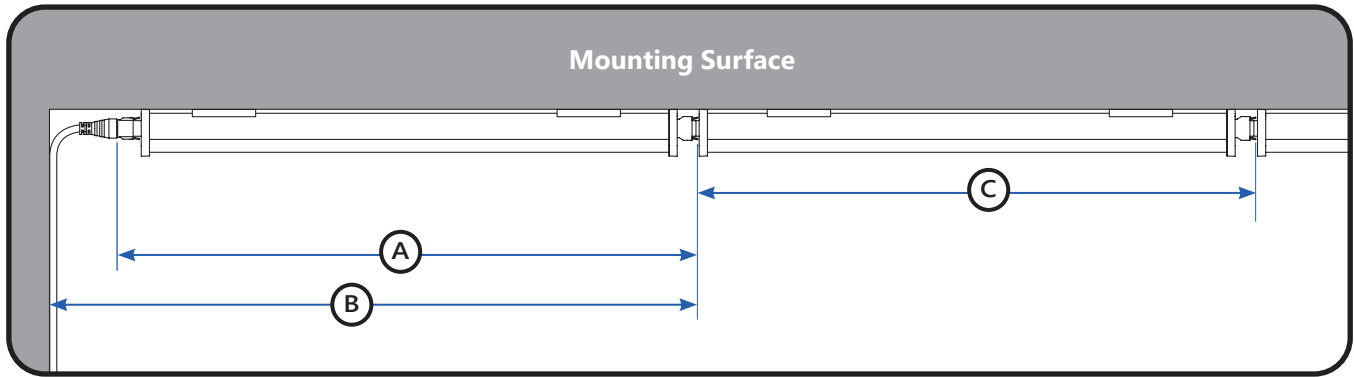
Visit LED.com

Conforms to the following standards:
IP66 rated



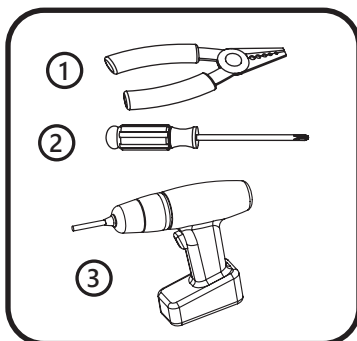
CLASS II LUMINAIRES

Product Length



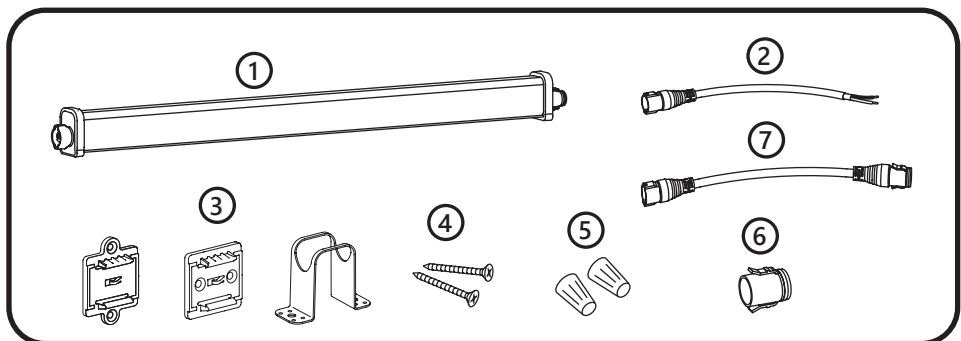
	A Length of lamp with connectors	B Length including leader cable	C Length of additional lamp in series
1 ft.	12.6" 31.9 cm	15.6" 39.6 cm	11.8" 29.86 cm
2 ft.	24.7" 62.7 cm	27.7" 70.4 cm	23.9" 60.6 cm
4 ft.	47" 119.4 cm	50" 127.1 cm	46.2" 117.3 cm
8 ft.	91" 231.5 cm	94.2" 239.2 cm	90.3" 229.4 cm

Tools Required



- ① Wire stripper/cutter
- ② Screwdriver
- ③ Cordless drill with driver bit

Components Required



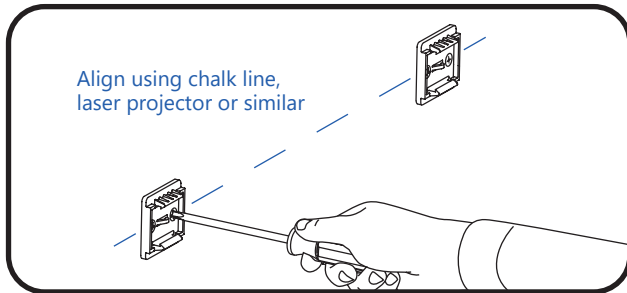
- ① Current LED Batten fixtures
- ② Leader cable (93113059 – Global including North America)
- ③ Mounting clips (88818 – standard), (10734 – slim), or (93113061 - metal)
- ④ #10 (M5) self-tapping flathead screws
- ⑤ UL approved 18-14 AWG (0.82-2.08 mm²) wire connectors or in-line splice connectors
- ⑥ End cap for connectors
- ⑦ Jumper cable (93113060 – Global including North America: 24 in./610mm long)

METHOD 1

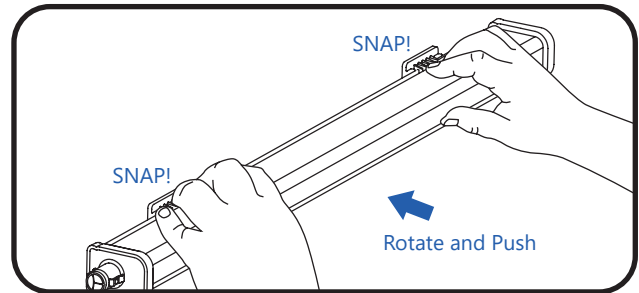
Installation Steps: Single Luminaire Installations

Planning first: Luminaires must only be mounted using Current's standard, slim, or metal mounting clips (see *Components Required* on page 2)

Mounting instructions using Current's standard and slim mounting clips.



- 1A Secure each luminaire mounting clip to a rigid flat mounting surface using two #10 (M5) self-tapping flathead screws along the intended run of luminaire. **To avoid stress and damage to luminaire the entire mounting surface should be flat and the mounting clips be properly aligned.** Refer to table on page 8 for required number of mounting clips per luminaire.

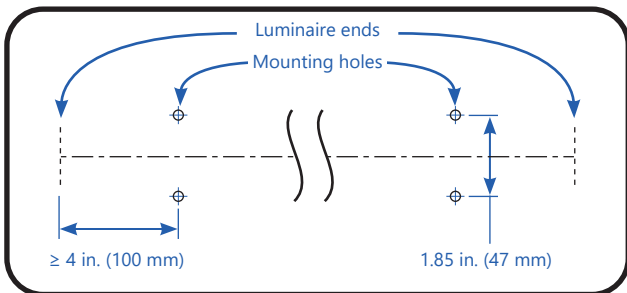


- 2A Press the luminaire into its mounting clips so that the male connector is oriented towards the intended electrical supply. **TIP:** Align luminaire on one side of the mounting clips; then rotate the luminaire until it snaps into other side of the mounting clips.

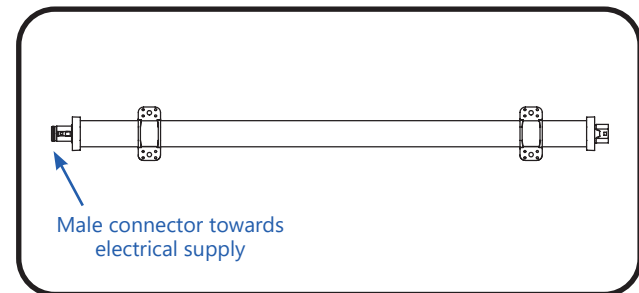
(Only for single luminaire installation)

Alternately: The required mounting clips may first be pressed onto the luminaire, then the luminaire mounting clip assembly may be mounted on to the mounting surface using two #10 (M5) self-tapping flathead screws per mounting clip.

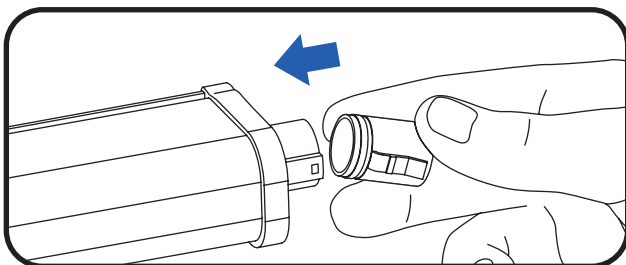
Mounting instructions using Current's metal mounting clip.



- 1B Pre-measure and mark each metal mounting clip screw location on the mounting surface. **To avoid stress and damage to luminaire the entire mounting surface should be flat and the mounting clips be properly aligned.** Refer to table on page 8 for required number of mounting clips per luminaire.



- 2B Place the luminaire on the surface with the male connector oriented towards the intended electrical supply. Install metal mounting clips over the luminaire, using two #10 (M5) self-tapping flathead screws to affix the metal mounting clips to the mounting surface.



- 3 Ensure there is an end cap to the female connector.

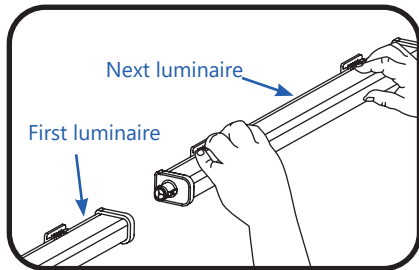
Go to METHOD 4 - Connections to the Electrical Supply

METHOD 2**Installation Steps: Luminaire Installations to be Interconnected with Jumper Cable****Planning first:**

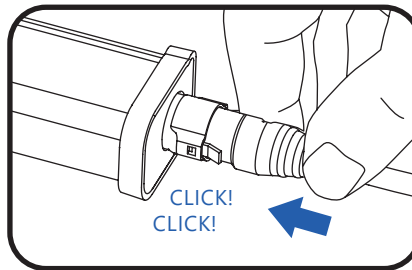
See Multiple Bar Installation details to not exceed the maximum run length per Leader Cable.

Luminaires must only be mounted using Current's standard, slim, or metal mounting clips (see *Components Required* on page 2)

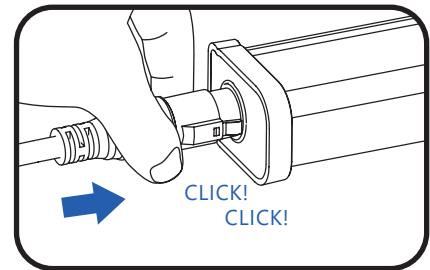
① and ② See instructions in Method 1 (page 4) for installing the first luminaire.



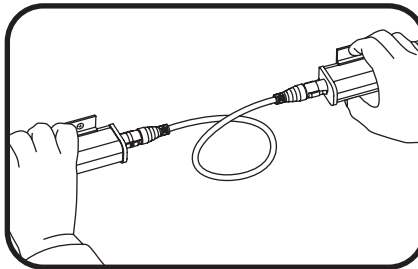
③ Press the next luminaire in the run into its mounting clips using the same procedure as Step 2.



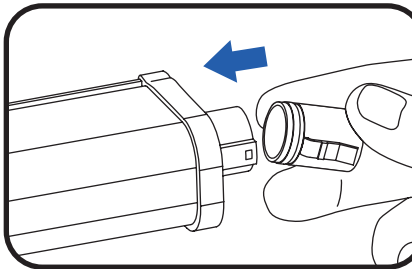
④ Remove end cap to the female connector where jumper cable will be installed. Insert the male connector of the batten jumper cable so that it fully engages the female connector of the **first luminaire** as indicated by hearing **2 clicks**.



⑤ Insert the female connector of the batten jumper cable so that it fully engages the male connector of the luminaire currently being installed as indicated by hearing 2 clicks.
To avoid damage, do not bend or otherwise exert excessive force on the Batten connector during installation.



⑥ Step 3, 4 and 5 may be repeated for each additional luminaire in the run.



⑦ Ensure that there is an end cap on the female connector on the last luminaire in the run.

Go to METHOD 4 - Connections to the Electrical Supply

METHOD 3

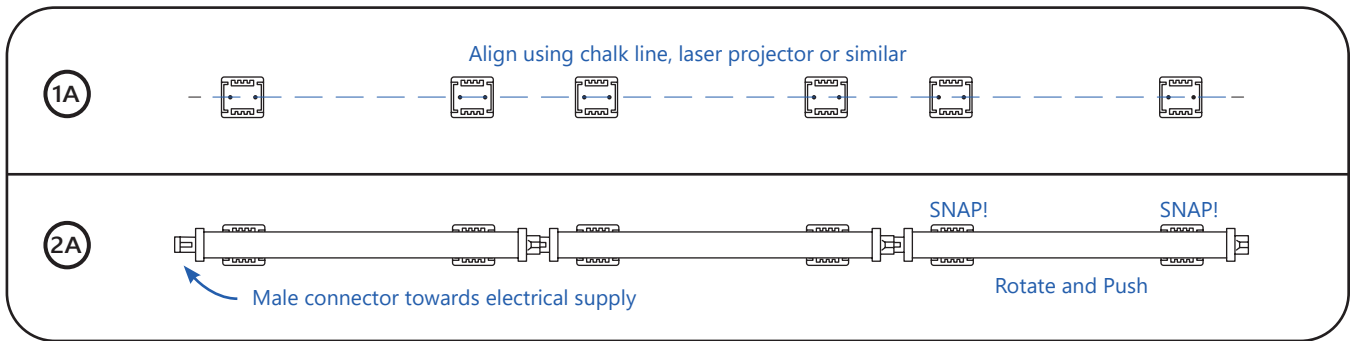
Installation Steps: Directly Interconnected Luminaire

Planning first:

See Multiple Bar Installation details to not exceed the maximum run length per Leader Cable.

Luminaires must only be mounted using Current's standard, slim, or metal mounting clips (see *Components Required* on page 2)

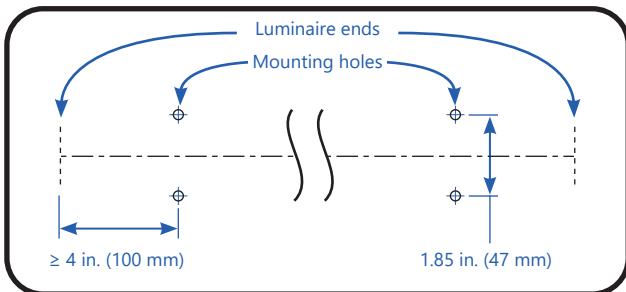
Mounting instructions using Current's standard and slim mounting clips.



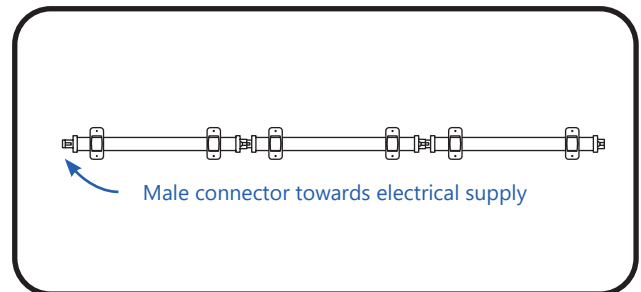
1A Secure each luminaire mounting clip to a rigid flat mounting surface using two #10 (M5) self-tapping flathead screws along the intended run of luminaire. **To avoid stress and damage to luminaire the entire mounting surface should be flat and the mounting clips be properly aligned.** Refer to table on page 8 for required number of mounting clips per luminaire.

2A Press the luminaire into its mounting clips so that the male connector is oriented towards the intended electrical supply. **TIP:** Align luminaire on one side of the mounting clips; then rotate the luminaire until it snaps into other side of the mounting clips.

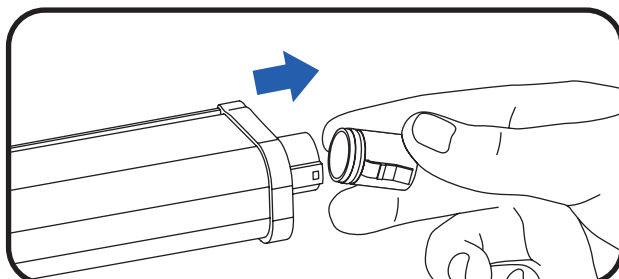
Mounting instructions using Current's metal mounting clip.



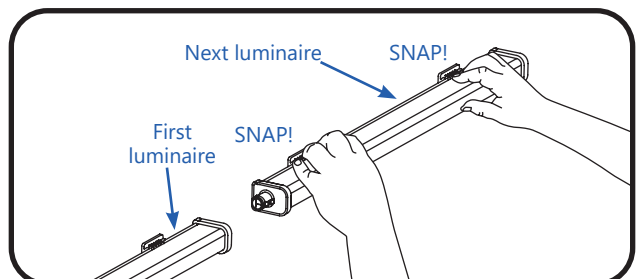
1B Pre-measure and mark each metal mounting clip screw location on the mounting surface. **To avoid stress and damage to luminaire the entire mounting surface should be flat and the mounting clips be properly aligned.** Refer to table on page 8 for required number of mounting clips per luminaire.



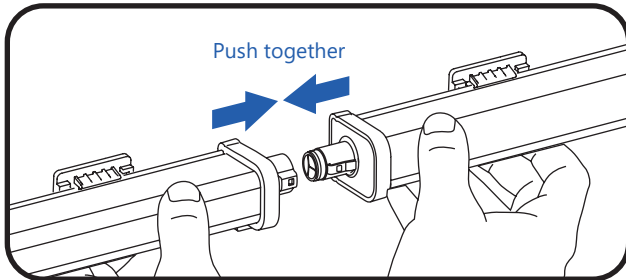
2B Place the luminaire on the surface with the male connector oriented towards the intended electrical supply. Install metal mounting clips over the luminaire, using two #10 (M5) self-tapping flathead screws to affix the metal mounting clips to the mounting surface.



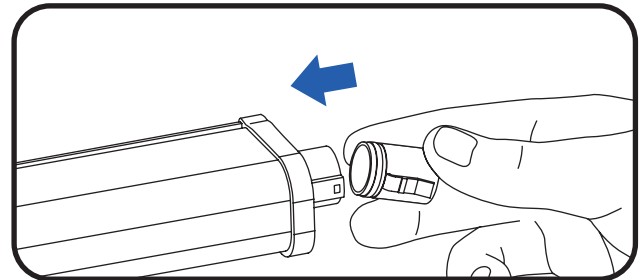
3 Remove the end cap from the female connector on the opposite side of the luminaire.



4 Press the next luminaire in the run into its mounting clips using the same procedure as Step 2.



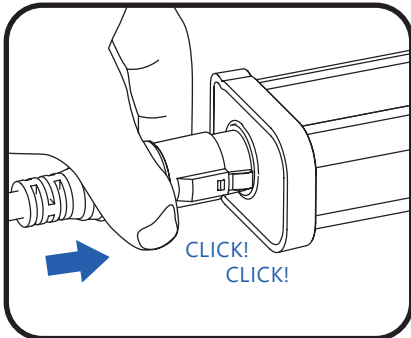
- 5 Slide the luminaire into the previous one in the run until the male connector of the luminaire fully engages the female connector of the previous one as indicated by hearing 2 distinct clicks. **Do not bend or otherwise exert excessive force on the luminaire connector.** Steps 3, 4 and 5 may be repeated for each additional luminaires in the run.



- 6 Ensure that there is an end cap on the female connector on the last luminaire in the run.

Go to METHOD 4 - Connections to the Electrical Supply

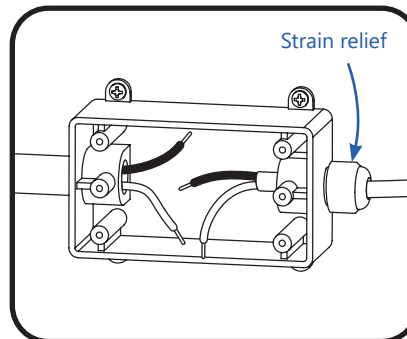
METHOD 4 Connections to the Electrical Supply



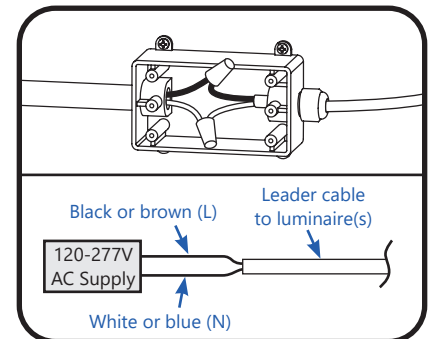
- 1 Insert the female connector of the batten leader cable so that it fully engages the male connector of the first luminaire in the run as indicated by hearing 2 clicks.

See Multiple Bar Installation detail to not exceed maximum run length for one leader.

To avoid damage, do not bend or otherwise exert excessive force on the Batten connector during installation.



- 2 Insert the supply end of the leader cable through a suitable strain relief into a proper junction box for the location so that the leader cable outer jacket has passed through the strain relief. Tighten the strain relief onto the leader cable jacket.



- 3 Inside the junction box, connect the line and neutral wires of the AC supply source to the line (black or brown) and neutral (white or blue) wires of the leader cable using suitable wire nuts. Install the junction box cover when complete.

⚠ IMPORTANT GUIDELINES / CONSEILS IMPORTANTS

- Cables shall not be concealed or extended through a wall, floor, ceiling, or other parts of the building structure; located above a suspended ceiling or dropped ceiling; permanently affixed to the building structure.
- Cables shall be routed so that they are not subject to strain and are protected from physical damage; visible over their entire length; and used within their rated ampacity as determined for the maximum temperature of the installed environment specified in the instructions.
- Les câbles ne doivent pas être cachés à l'intérieur ou passer à travers un mur, un plancher, un plafond ou d'autres parties de la structure du bâtiment; ne doivent pas être placés au-dessus d'un plafond suspendu; ne doivent pas faire partie intégrante de la structure du bâtiment.
- Les câbles doivent être installés de façon à être protégés contre l'étirement et tout autre dommage; être visibles sur toute leur longueur; utilisés dans la limite de leur capacité électrique, déterminée pour les limites de température de l'environnement spécifiée dans ce document.

Multiple Bar Installation Detail

Input voltage : 100VAC - 277 VAC, 50/60Hz

MO/ HO	Lamp Length	Product Code (SKU)	Description Code	CCT	Maximum Bars Per Leader Cable			Qty of Mounting Clips		Electrical Loading Detail Typical Current (A)		
					For 120VAC	For 240VAC	For 277VAC	Plastic Clips	Metal Clips	For 120VAC	For 240VAC	For 277VAC
MO	1ft	93024679	GEWM1235BAT	3000K	40	80	80	2	2	0.04	0.034	0.023
	2ft.	82349	GEWM2430BAT	3000K	20	40	40	2	2	0.08	0.05	0.045
		93027304	GEWM2435BAT	3500K								
		82351	GEWM2440BAT	4000K								
		82355	GEWM2450BAT	5000K								
		82356	GEWM2471BAT	7100K								
	4ft.	82358	GEWM4830BAT	3000K	10	20	20	2	2	0.15	0.08	0.075
		93025121	GEWM4835BAT	3500K								
		82360	GEWM4840BAT	4000K								
		82361	GEWM4850BAT	5000K								
		82365	GEWM4871BAT	7100K								
	8ft.	82366	GEWM9630BAT	3000K	5	10	10	3	2	0.3	0.16	0.15
		82367	GEWM9640BAT	4000K								
		82374	GEWM9650BAT	5000K								
		82416	GEWM9671BAT	7100K								
HO	1ft	93024680	GEWH1235BAT	3000K	30	56	56	2	2	0.07	0.04	0.037
	2ft.	82446	GEWH2430BAT	3000K	15	28	28	2	2	0.135	0.07	0.065
		82461	GEWH2440BAT	3500K								
		82521	GEWH2450BAT	4000K								
		82536	GEWH2471BAT	5000K								
		93072769	GEWH2471BAT-PL	Purple								
		93025127	GEWH248BAT	BLUE								
	93025123	GEWH248BAT	RED									
	4ft.	82551	GEWH4830BAT	3000K	7	14	14	2	2	0.24	0.14	0.13
		93025122	GEWH4835BAT	3500K								
		82581	GEWH4840BAT	4000K								
		82596	GEWH4850BAT	5000K								
		82776	GEWH4871BAT	7100K								
		93072770	GEWH4871BAT-PL	Purple								
		93025126	GEWH488BAT	BLUE								
		93025124	GEWH488BAT	RED								
	8ft.	83086	GEWH9630BAT	3000K	3	7	7	3	2	0.48	0.28	0.26
		83121	GEWH9640BAT	4000K								
		83166	GEWH9650BAT	5000K								
		83211	GEWH9671BAT	7100K								
		93072771	GEWH9671BAT-PL	Purple								
93025125		GEWH968BAT	BLUE									
930052422		GEWH968BAT	RED									

Note: Other SKUs available. For custom installation please contact us.

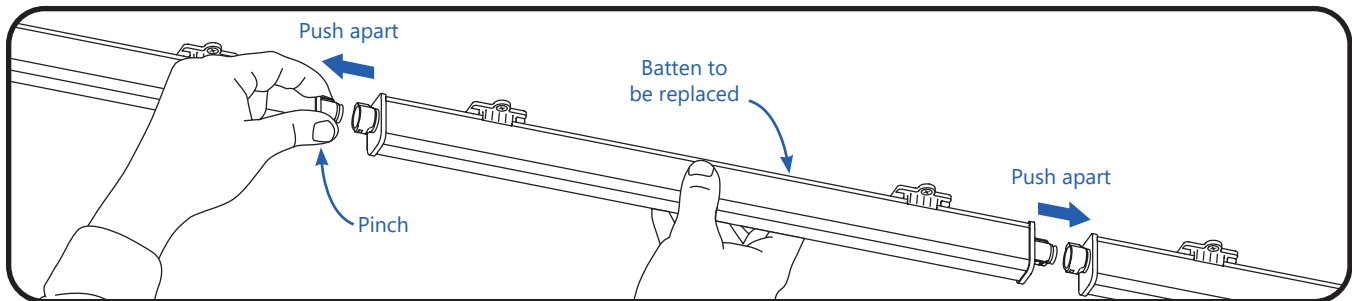
Product Codes

GEWZXXYYBAT

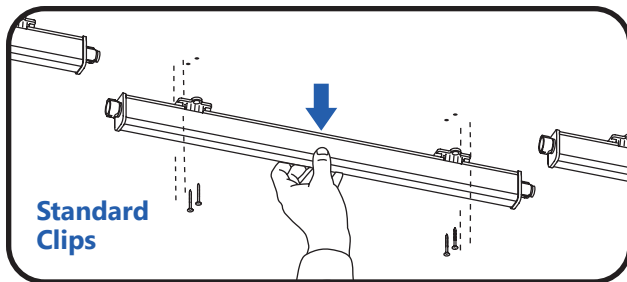
*Key for XX: 12 = 12", 24 = 24", 48 = 48", 96 = 96"

*Key for YY: 30 = 3000K, 35 = 3500K, 40 = 4000K, 50 = 5000K, 71 = 7100K, RD = RED, BL = BLUE

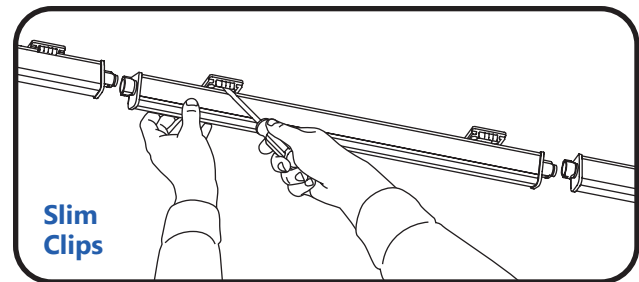
*Key for Z: M = medium, H = high

METHOD 5**Replacement Instructions for Directly Interconnected Luminares**

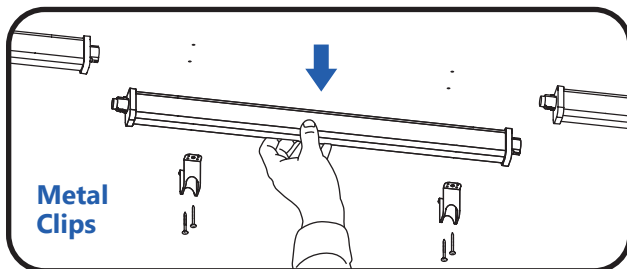
- ① Unclip plugs on both sides of the batten to be replaced. Push apart battens on either side.
TIP: Pinch the ends of the plug while pulling the receptacle end away.
To avoid damage, do not bend or otherwise exert excessive force on the Batten connector during installation.



- ②A Unscrew the mounting clips to completely remove the batten.



- ②B Using a screwdriver, gently pry the batten out of the mounting clips.



- ②C Unscrew the mounting clips to completely remove the batten.

- ③ To insert new batten, see Method 3.

To avoid damage, do not bend or otherwise exert excessive force on the Batten connector during installation.

Troubleshooting

Symptom	Solution
All LED fixtures are not illuminated	<ul style="list-style-type: none"> • Check leader cable connection and/or check circuit breaker. • Check plug connectors on the LED fixtures for improper connections or short circuits. • Ensure leader cable is securely connected to the female plug connector on the first LED fixture.
Some LED fixtures are not illuminated	<ul style="list-style-type: none"> • Check plug connectors on the LED fixtures for improper connections or short circuits. • Ensure any jumper cables are securely connected between the male/female plug connectors of the LED fixtures.