

Arize™ LED Tubes

UL Type C LED Tubes



BEFORE YOU BEGIN

Read these instructions completely and carefully.

FOR YOUR SAFETY

Read and observe all **CAUTIONS** and **WARNINGS** shown throughout these instructions.

- Installation to be performed by factory trained service personnel only.
- This LED Tube is intended to replace the corresponding length fluorescent tube with a G13 lamp base.
- Use this unit only in the manner intended by the manufacturer. If you have any questions, contact the manufacturer.
- Before installing, servicing or cleaning unit, switch power off at the service panel and follow appropriate lock out/tag out safety procedures.
- Suitable for damp location.

OPERATING TEMPERATURE

- Minimum is 0°C
- Maximum is 40°C
- Maximum TC point is 55°C

LED DRIVER COMPATIBILITY

This system is compatible with GE LED Drivers
 GELP24-100U-GL // 24VDC, 100W
 GELP24-60U-GL // 24VDC, 60W
 GE080/MV/D24T1-A // 24VDC, 80W, Dimmable

⚠ CAUTION

RISK OF INJURY

- Tube may fall down if not installed properly, follow installation instructions.
- While performing installations described, gloves, safety glasses or goggles should be worn.

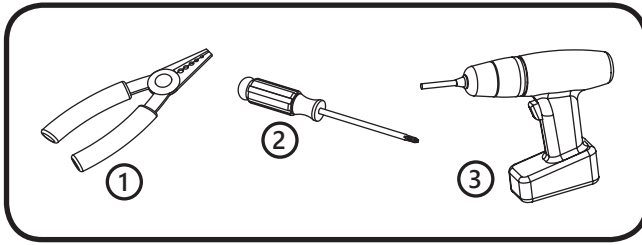
RISK OF PRODUCT DAMAGE

- Do not replace conventional LFL directly with Arize LED tubes. Arize LED tubes need a DC voltage to work.
- This lamp may not be suitable for use in all applications where a traditional fluorescent lamp has been used. The temperature range of this lamp is more restricted. In cases of doubt regarding the suitability of the application the manufacturer of this lamp should be consulted.

⚠ WARNING

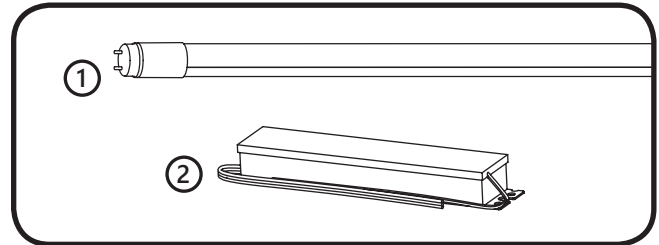
- Luminaire wiring and electrical parts may be damaged when drilling for installation of LED retrofit kit. Check for enclosed wiring and components.
- Disconnect power before servicing or installing product
- LED Tubes requires knowledge of luminaires electrical systems. If not qualified, do not attempt installation. Contact a qualified electrician.
- Install this product only in the luminaires that have the construction features and dimensions shown in the photographs and/or drawings.
- Do not alter, relocate, or remove wiring, lampholders, power supply, or any other electrical component.
- Installers should not disconnect existing wires from lampholder terminals to make new connections at lampholder terminals. Instead installers should cut existing lampholder leads away from the lampholder and make new electrical connections to lampholder lead wires by employing applicable connectors.
- This product must be installed in accordance with the applicable installation code by person familiar with the construction and operation of the product and hazards involved.
- The retrofit assembly is accepted as component of a luminaire where the suitability of the combination shall be determined by UL or authorities having jurisdiction.

Tools Required



- ① Wire Stripper/Cutter
- ② Screwdriver
- ③ Cordless drill with driver bit

Components Required



- ① Arize LED Tube
- ② LED Driver

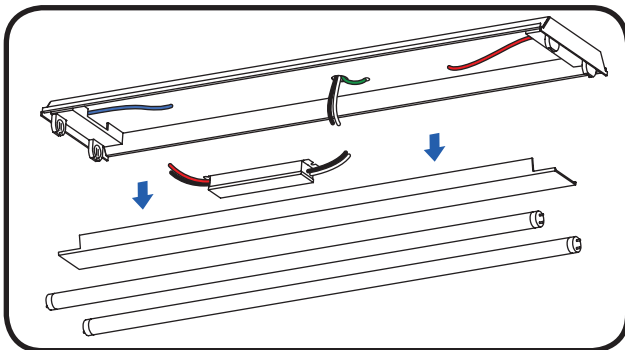
⚠ WARNING

Risk of fire or electric shock. Luminaire wiring and electrical parts may be damaged when drilling for installation of LED retrofit kit. Check for enclosed wiring and components.

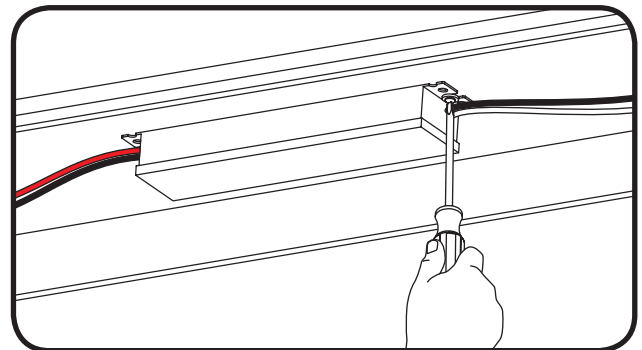
To prevent wiring damage or abrasion, do not expose wiring to edges of sheet metal or other sharp objects.

Components Installation

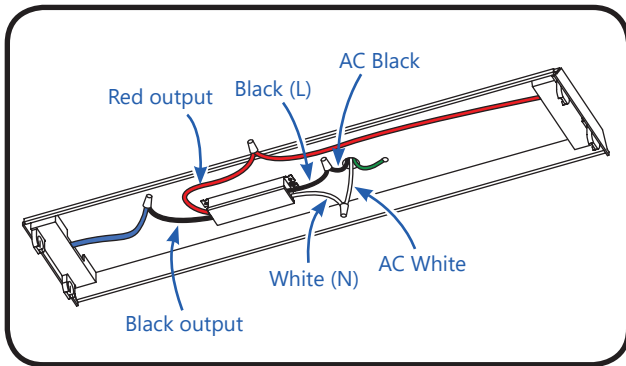
- ① Ensure that the power to the unit is turned off. Use proper lockout and tagout procedures.



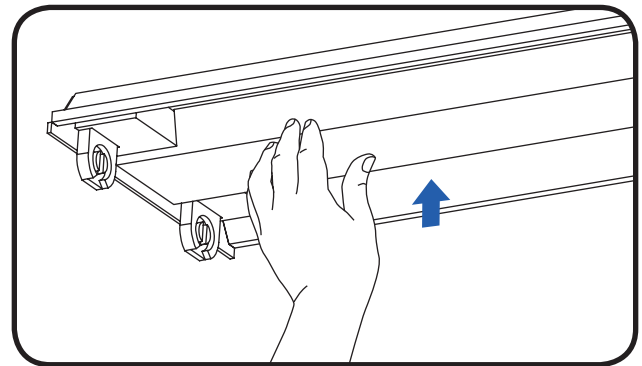
- ② Remove existing lamps, fixture coverplate, and ballast. Examine the existing lamp holders for signs of excessive wear, corrosion, or otherwise damaged. Replace any damaged parts with suitable new parts prior to installation of the retrofit LED tubes. Leave wiring in place and make sure wire length is long enough to attach to the new LED driver. Verify that the AC supply line is provided with a ground wire connected to the luminaire.



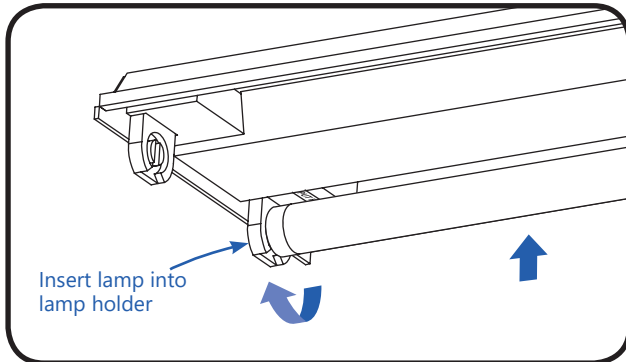
- ③ Secure driver to fixture by using existing ballast mounting holes and screws. Use self-tapping screws (not provided) to create new mounting holes if necessary.



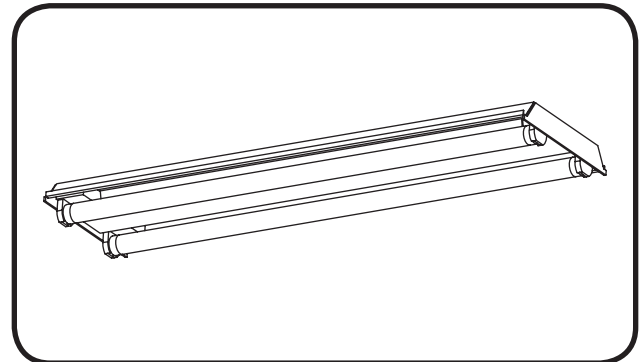
4 Connect the black (L) and white (N) wires of driver to black and white wires of AC line, respectively. Connect black output wire of the driver to lampholder at one end. Then at the opposite end, connect the red output wire of the driver to lamp holder.



5 Compact wires and reattach fixture coverplate.



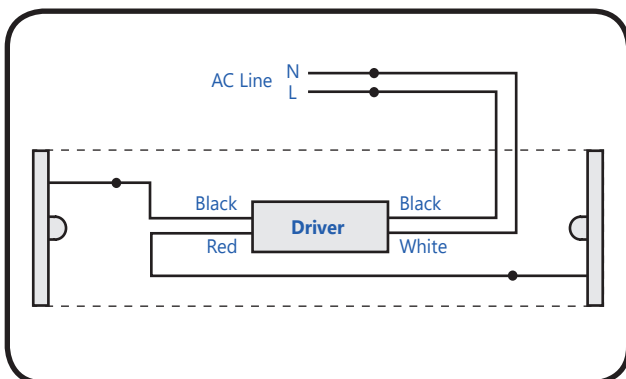
6 Insert the correct and marked end of the LED tube into the lamp holder of the fixture and rotate 90 degrees. Repeat for remaining tubes.



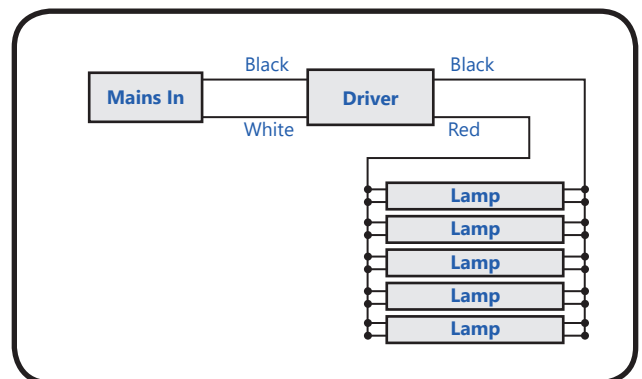
7 Restore power and ensure lamps are operating correctly.

Wiring Diagrams

One LED Tube with One LED Driver



Multiple LED Tubes with One LED Driver



⚠ WARNING

Risk of electrical shock. Ensure that all connection points are sealed for damp location using the appropriate method per the NEC or local electrical code.

⚠ CAUTION

Risk of injury. Do not overload LED Driver. Do not exceed limits shown in "Maximum LED Driver Loading" table below.

Minimum and Maximum LED Driver Loading Specifications

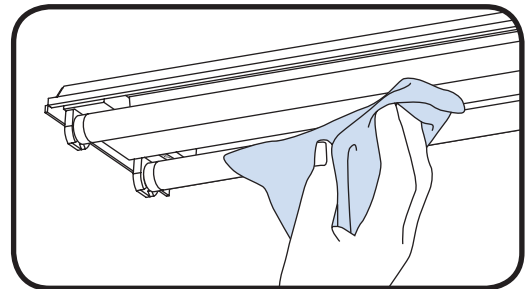
SKU	Description	DC Watts	Driver Option					
			GELP24-100U-GL		GELP24-60U-GL		GE080/MV/D24T1-A	
			Min.	Max.	Min.	Max.	Min.	Max.
93067251	GEHT48MPKB1	10	4	8	2	5	4	7

Cleaning Instructions

⚠ WARNING

Risk of electrical shock. Disconnect power to LED Lights before any cleaning operation.

- The LED Light may be dusted as needed with a dry, clean, soft cloth.
- Do not use chemical cleaners on the system.
- Do not wipe with a soiled dishcloth or wet towel—these may leave a residue that can damage the finish.
- Do not use scouring pads, powdered cleaning products, bleach or cleaners containing bleach because these products can scratch and damage the finish.



This device complies with part 15 of the FCC Rules. Operation is subject to the following two conditions: (1) This device may not cause harmful interference, and (2) this device must accept any interference received, including interference that may cause undesired operation. This Class [A] RFLD complies with the Canadian standard ICES-005.

NOTE: This equipment has been tested and found to comply with the limits for a Class A digital device, pursuant to part 15 of the FCC Rules. These limits are designed to provide reasonable protection against harmful interference when the equipment is operated in a commercial environment. This equipment generates, uses, and can radiate radio frequency energy and, if not installed and used in accordance with the instruction manual, may cause harmful interference to radio communications. Operation of this equipment in a residential area is likely to cause harmful interference in which case the user will be required to correct the interference at his own expense.

Conforms to the following:

