

Double-Ended Ballast Bypass

UL Type B LED Tubes

Project Name _____

Date _____ Type _____

Notes _____

Convert your existing linear fluorescent fixture **without** needing a **comprehensive re-install.**

BENEFITS

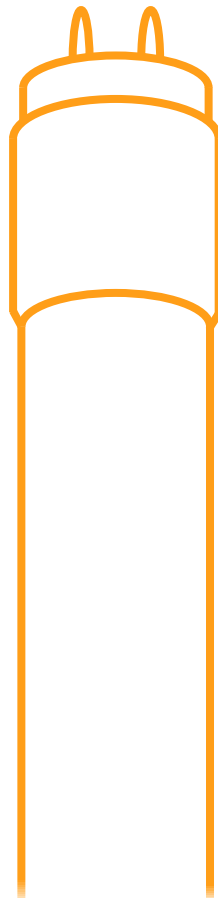
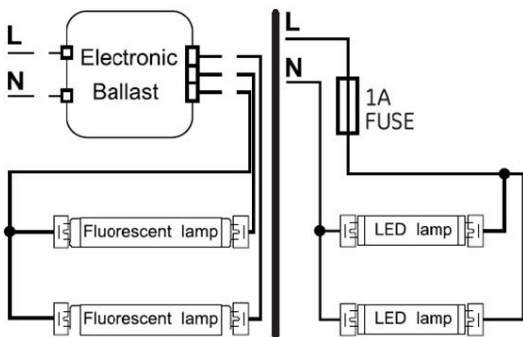
- Fast and easy LED upgrade
- Eliminate future ballast replacement costs
- No socket replacement necessary



Why Type B LED tube is right for you?

HOW IT WORKS

Current's Double-Ended Type B LED tubes are ideal for those seeking high energy savings with minimal installation time. The existing fixture is wired to bypass the ballast, which further reduces energy use and eliminates the need to check ballast compatibility.



Uses no external driver or ballast

Eliminates compatibility issues

Excellent efficacy and additional maintenance savings

Internal safety switch for installation protection

No socket replacement necessary

Higher initial installation costs

Additional safety precautions
Fuse recommended, but not required