

OWNER'S MANUAL ASSEMBLY AND
OPERATING INSTRUCTIONS
**READ BEFORE OPERATING
GRIDDLE**



WARNING

- Not for commercial cooking use. Fuel such as charcoal briquettes, are not to be used with this appliance. The supply cord should be regularly examined for signs of damage and the appliance is not to be used if cord is damaged.
- To ensure continued protection against risk of electric shock, connect to properly grounded three prong GFI outlets only. Do not use a two prong adapter.
- Do not expose to rain when using outdoors. This is to prevent electric shock, which can cause serious bodily injury or death.
- Disconnect appliance from supply circuit before performing maintenance and cleaning.
- For protection against risk of electric shock, connect to properly grounded outlets only.
- For protection against risk of electric shock, keep extension cord connection dry and off the ground.
- Store Temperature Controller indoors when not in use.

Customer Service Hotline

1-866-994-6390

DO NOT RETURN YOUR GRIDDLE TO THE STORE
Before visiting your local retailer, call our customer service department at 1-866-994-6390 from 9:00 am to 5:00 pm Eastern Time, Monday through Friday.

IMPORTANT SAFEGUARDS

When using electrical appliance, basic safety precautions should always be followed, including the following:

- Read all instructions.
- Do not touch hot surfaces. Use handles or knobs.
- To protect against electric shock do not immerse cord or plugs or temperature probe in water or other liquid.
- Close supervision is necessary when any appliance is used by or near children.
- Unplug from outlet when not in use and before cleaning. Allow to cool before putting on or taking off parts, and before cleaning the appliance.
- Do not operate any appliance with a damaged cord or plug or after the appliance malfunctions or has been damaged in any manner. Return appliance to the nearest authorized service facility for examination, repair or adjustment.
- The use of accessory attachments not recommended by the appliance manufacturer may cause injuries.
- To use your griddle indoors, simply lift the griddle base off from the pedestal tube and place on a heat-resistant surface.
- Never use griddle without griddle plate securely in place on base.
- Some counter top finishes are more affected by heat than others, make sure the counter top surface can withstand temperatures of 150 F to prevent discoloration or other damage to counter top surface.
- Do not let cord hang over edge of table or counter, or touch hot surfaces.
- Do not place on or near a hot gas or electric burner, or in a heated oven.
- Extreme caution must be used when moving an appliance containing hot oil or other hot liquids.
- Always attach plug to appliance first, then plug cord in the wall outlet. To disconnect, turn any control "off", then remove plug from wall outlet.
- Do not use appliance for other than intended use.
- CAUTION: Risk of Electric Shock. Keep extension cord connection dry and off the ground.
- Fuel, such as charcoal briquettes, is not to be used with appliance.
- Store products indoors when not in use – out of the reach of children.
- CAUTION: To ensure continued protection against risk of electric shock, connect to properly grounded outlets only.
- Do not clean this product with a water spray or the like.
- Do not clean with metal scouring pads. Pieces can break off the pad and touch electrical parts, creating a risk of electric shock.
- Make sure appliance is OFF and remove plug from outlet when not in use, before putting on or taking off parts, and before cleaning. Allow to cool before handling.

SAVE THESE INSTRUCTIONS

WARNING:

Do not use charcoal or other combustible fuels in this griddle. This griddle is not designed for charcoal use and a fire could result. The fire could create an unsafe condition and damage to the griddle.

- Always plug Temperature Controller into griddle before plugging power cord into outlet.
- Do not operate unit if plug receptacle is damaged.
- Operate griddle only on a level, stable surface.
- Do not in any way alter this product or its use.
- If using an extension cord it must be rated no less than that of the appliance. Extension cords must be marked with the letter "W" and with a tag stating, "Suitable for use with outdoor appliance".
- Use shortest length extension cord possible. Do not connect 2 or more extension cords together.
- Do not immerse griddle or Temperature Controller in water when cleaning.
- Do not leave Temperature Controller in the ON position during periods of non-use.
- Do not leave griddle unattended when in use.
- This appliance is not intended for use by young children or infirm persons unless they have been adequately supervised by a responsible person to ensure that they can use the appliance safely.
- Clean drip tray regularly.
- Locate power cord away from traffic areas. Arrange the cord so that it will not be pulled or tripped over.
- Do not use griddle near combustible materials such as dry grass, shrubs, etc.
- Do not allow griddle to come into close contact with flammable materials such as paper, walls, draperies, towels, chemicals, etc.
- Do not use as a heater.
- Do not move the griddle while it is in use. Allow the appliance to cool before moving, cleaning or storing it.
- Do not use griddle when raining or snowing.
- To prevent griddle from being splashed or falling into water, do not set griddle within 10 feet of any body of water such as a pool or pond.
- Pulling Temperature Controller by the knob could cause the knob to come off.
- Do not allow cord to touch the griddle when it is hot.
- If a flare up occurs, do not use water to put out fire. Turn griddle to OFF. Unplug power cord and wait for griddle to cool.
- Make sure no other high wattage appliances are plugged into the same circuit when using griddle.
- Unplug griddle when not in use and cover when cool. Properly store the appliance indoors when not in use – out of the reach of children.
- Use this griddle only as described in this manual. Any other use not recommended in this manual may cause fire, electric shock, or injury to persons.
- Always ensure that electrical socket being used has the correct rating. Socket must be rated no less than 120V AC, 13Amps.
- This appliance conforms to technical standards and the safety requirements for electrical devices.
- The drip tray must be in place at all times during griddle operation.
- Do not build this model of griddle in any built-in or slide-in construction. Ignoring this warning could cause a fire or an explosion that may damage property or cause serious bodily injury or death.

Short Cord Instruction


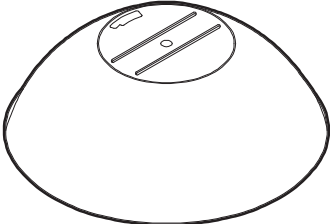

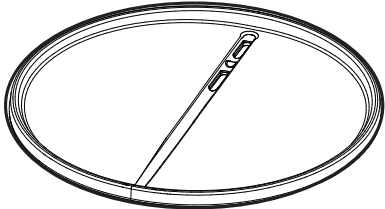

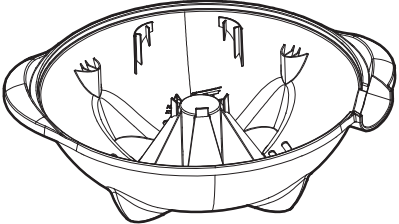

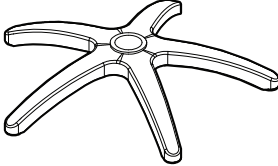

A short power supply cord is to be provided to reduce the risk resulting from becoming entangled in or tripping over a longer cord. An extension cord is available and may be used if care is exercised in their use. If an extension cord is used, the marked electrical rating of the extension cord should be at least as great as the electrical rating of the appliance. If the appliance is of the grounded type, the extension cord should be a grounding 3-wire cord. The extension cord should be arranged so that it will not drape over the countertop or tabletop where it can be pulled on by children or tripped over unintentionally. Outdoor extension cords should be used with outdoor use products and are surface marked with the suffix letter "W" and with a tag stating "Suitable for use with outdoor appliance". The connection to an extension cord should be kept dry and off the ground.

TABLE OF CONTENTS

Safety Information	2
What's in the box	4
Exploded View	5
Assembly Instructions	7
Warnings	8
How to use	8
Cleaning	9
Storage	9
Warranty	9

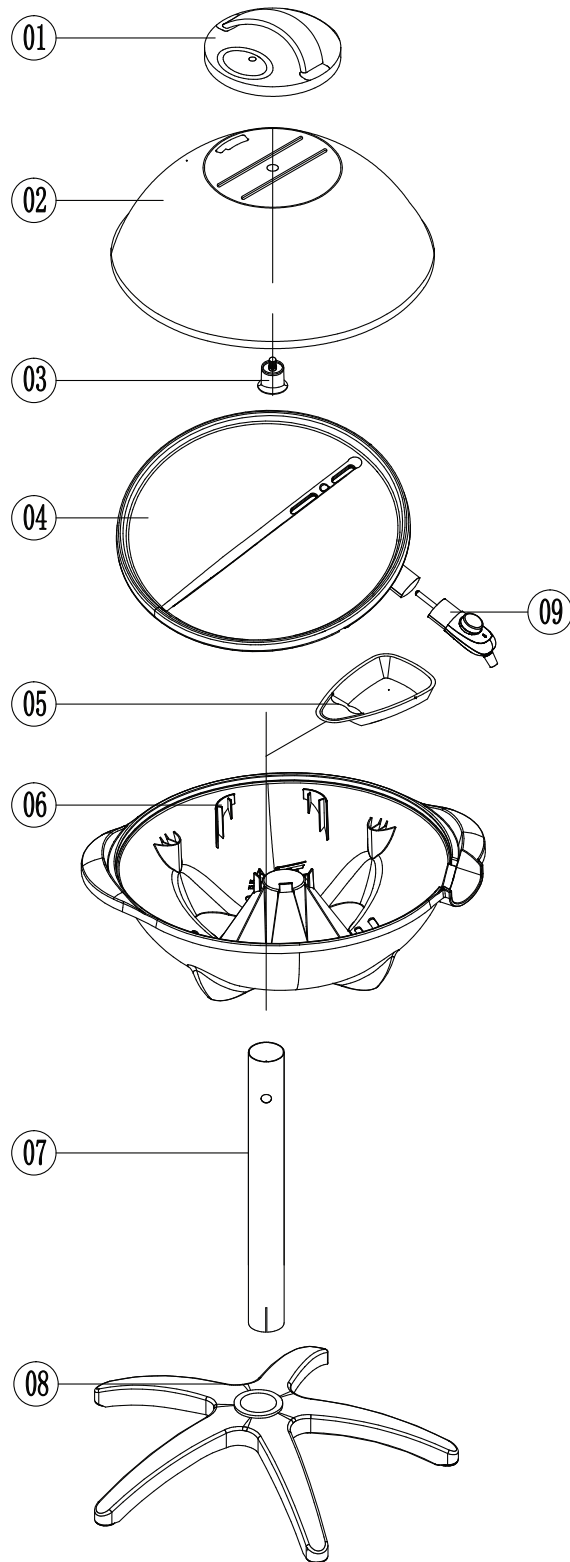
WHAT'S IN THE BOX

COMPONENTS

PART	DESCRIPTION	QTY
1	 Lid Handle	1pc
2	 Lid	1pc
3	 Rubber-ringed fastener hook	1pc
4	 Griddle plate	1pc
5	 Grease tray	1pc
6	 Griddle base	1pc
7	 Pedestal tube	1pc
8	 Pedestal base	1pc
9	 Temperature control probe	1pc

For replacement parts, call our customer service department 1-866-994-6390, 9 a.m.-5 p.m., EST, Monday-Friday or email outdoors@cuisinart.com. NOTE: Not all parts are replaceable.

EXPLODED VIEW



For replacement parts, call our customer service department 1-866-994-6390, 9 a.m.-5 p.m., EST, Monday-Friday or email outdoors@cuisinart.com. NOTE: Not all parts are replaceable.

ASSEMBLY INSTRUCTIONS

Before beginning assembly, installation or operation of product, make sure all parts are present. Compare parts with package contents list and diagram above. If any part is missing or damaged, do not attempt to assemble, install or operate the product. Contact customer service for replacement parts.

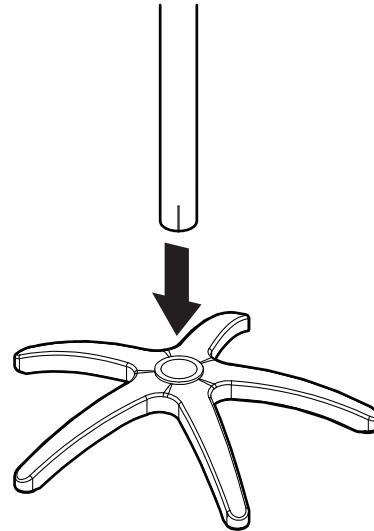
STEP 1

- Wash griddle base, griddle plate, grease tray and lid with warm and dish soap. Rinse and dry thoroughly.

! **Note:** Do not immerse temperature control probe in water or any other liquid. To clean, wipe with a damp cloth and dry thoroughly.

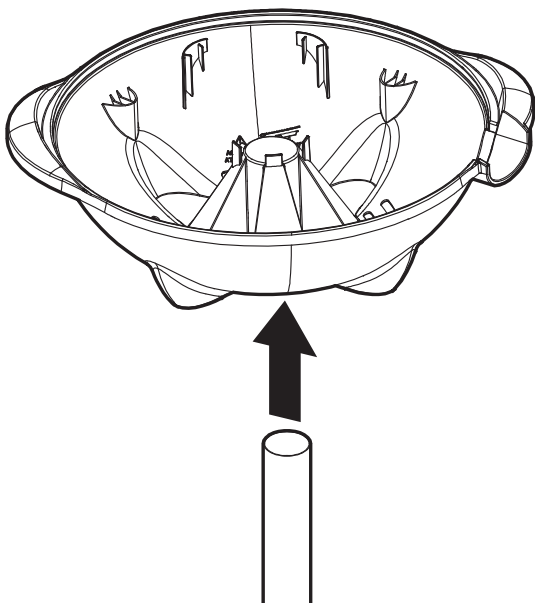
STEP 2

- Place pedestal base on a flat surface. Insert slotted end of pedestal tube into center hole of pedestal base and push down firmly.



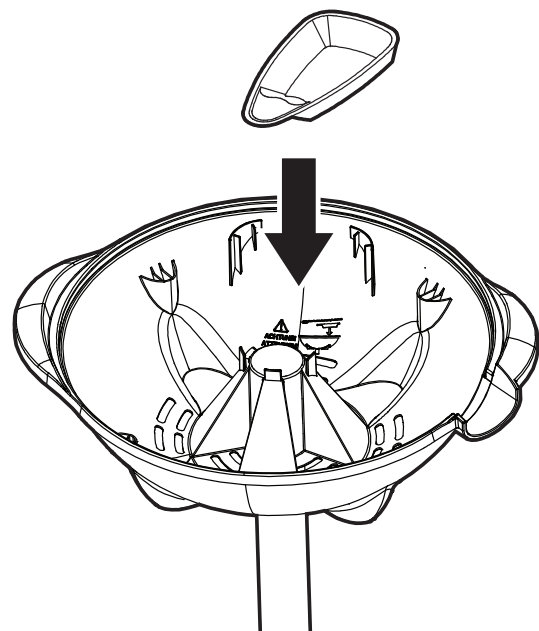
STEP 3

- Place griddle base on top of pedestal tube assembly, ensuring hole on center of griddle base engages with tube.



STEP 4

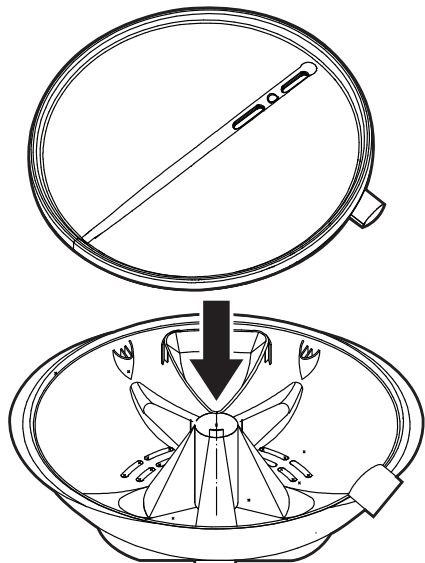
- Place grease tray securely into position inside griddle base. When properly placed, it is held firmly with pointed end in center of griddle base.



ASSEMBLY INSTRUCTIONS

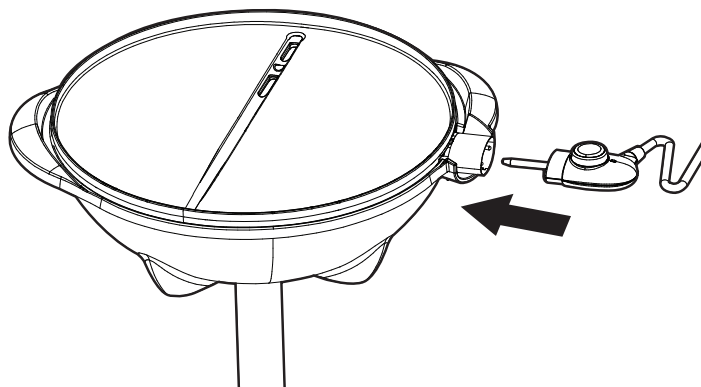
STEP 5

- Position griddle plate securely on griddle base.



STEP 6

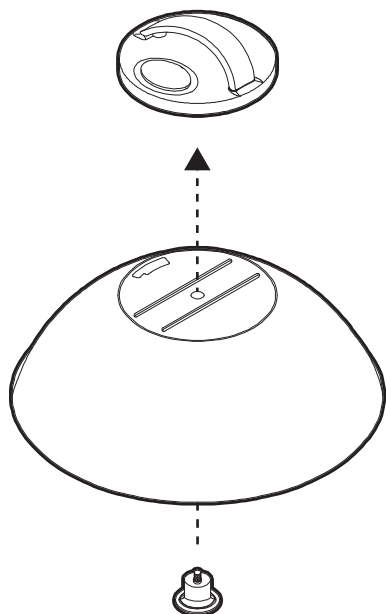
- Position probe receptacle through probe cutout in top side of griddle base.



STEP 7

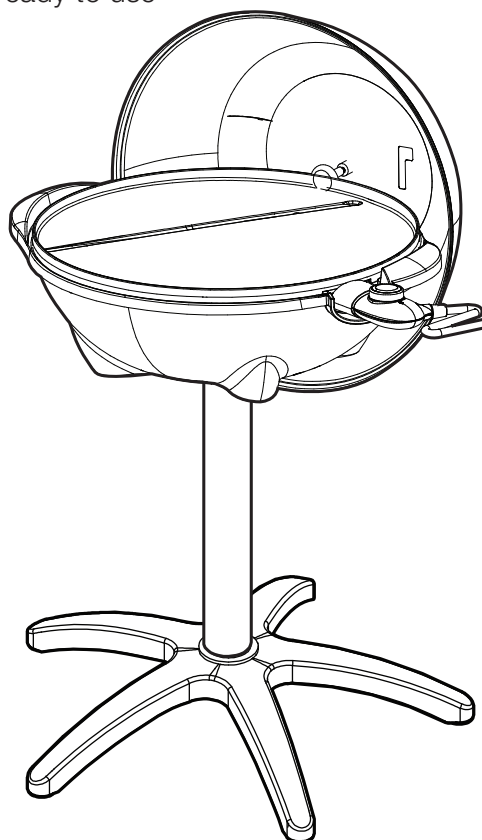
- Attach lid handle to lid from the inside using rubber-ringed fastener/hook.

! **Note:** When operating the air vent in the lid handle, avoid excessive force that can damage the handle or lid.



STEP 8

- Place lid over griddle. Your griddle is now ready to use



WARNINGS

WARNING:

- Any modification of the appliance may be dangerous.
 - Visually inspect cord, plug and Temperature Controller for damage and wear before operation.
 - When heating the griddle for the first time, it may give off a slight burning odor. The griddle is burning off excess lubricants found on the heating element. This does not affect the safety of your griddle.
 - To prevent fire or electric shock, always use a certified electrician if new circuits or outlets need to be installed.
 - Improperly grounded outlets could cause electrical shock.
 - The use of an extension cord is not recommended. If you must use an extension cord, use the shortest length extension cord possible. Do not connect 2 or more extension cords together. Keep connections off the ground and dry. Do not let cord hang over edge of table top where it can be tripped over or pulled by children. Only use extension cord labeled for outdoor use.
 - Cover griddle or store in weather protected area when not in use.
- Clean the griddle plate, griddle base, and grease tray between uses.
 - **Warning:** Do not use the barbecue within 60 cm (24in) of combustible materials from the back or sides of the griddle. Do not use under any combustible construction.
 - **Warning:** The entire griddle plate gets hot when in use. Do not leave unattended.
 - **Warning:** Keep any electrical power cord away from any heated surface.
 - **Warning:** Keep the cooking area clear of inflammable vapors and liquids such as petrol, kerosene, alcohol, etc., and other combustible materials.
 - **Warning:** When cooking, the appliance must be on a level, stable surface in an area clear of combustible material.
 - **Warning:** Keep cord clear of griddle plate.

HOW TO USE

1. Turn temperature control probe to OFF position and attach securely into probe receptacle.
2. Plug into standard GFCI outlet. Align desired temperature setting with indicator light. Place lid securely on griddle. Allow griddle to preheat to desired temperature – for approximately 10 minutes.
3. Carefully remove lid and place food onto griddle; cover for most foods. Cook until done, turning at least once halfway through cooking time for most food. Adjust temperature as needed.

Tip: You can control moisture of foods, to some extent, by opening or closing lid vent. Turn lid handle / vent clockwise to open vent for drier cooking. Turn counterclockwise to hold in moisture for moister meats. Light on temperature control probe will cycle on and off as griddle thermostat maintains proper temperature. This is normal operation.

Note: Condensation may collect on inside of lid when cooking.

Important: Use caution when removing lid.

4. When finished cooking, turn temperature control probe to OFF position. Temperature probe indicator light will go out. Unplug and allow griddle to cool before disassembling and cleaning. See CARE AND CLEANING.

Note: Temperature control probe may be turned to setting 1 to keep foods warm for short periods of time.

Note: To avoid damaging the non-stick surface, use only plastic or wooden utensils while cooking.

Caution: Griddle surfaces are hot during use. Allow griddle, grease tray, lid and griddle base to cool completely before handling and cleaning.

CLEANING

OUTSIDE SURFACE:

1. Unplug the temperature control probe before cleaning
2. Wipe surface grime off with a clean cloth and mild dishwashing detergent or baking soda.
3. For stubborn surface dirt, use warm soapy water solution and a nylon scrubbing brush.
4. Clean the rinse with water.
5. Allow surfaces to dry fully before use.

STORAGE AND / OR NON-USE

- During periods of non-use, the Temperature Controller with power cord should be in the “OFF” position.
- Store griddle indoors.

OPERATING:

WARNING:

The griddle must not be used upon any combustible surface such as dry grass, shrubs, etc.

WARNING:

The griddle is not intended for installation in or on recreational vehicles, SUVs and/or boats.

WARNING:

To protect against electrical shock, do not immerse any part of this appliance in water or any other liquid.

9. WARRANTY and REPLACEMENT PARTS

This warranty covers defects in parts and workmanship for a period of 3 years from the original purchase date. Any damage claim regarding the enameling must be submitted within 30 days of purchase to be covered by the warranty.

The following conditions are NOT covered by this warranty:

- Unevenness and color variations in the enamel coating.
- Damage caused by improper assembly or disregard of the manual.
- Use of spare parts not supplied by manufacturer.
- Damage resulting from modifications or inappropriate use.
- Abuse of the griddle
- Damage caused by improper maintenance or repairs by an unauthorized person.

Limitations and exclusions:

1. This warranty applies only to the original purchaser and may not be transferred.
2. If you can not verify the purchase date of the griddle the warranty period will begin on the date the griddle was manufactured.
3. Replacement or repair parts are warranted for the remaining period of the original part warranty.

Your obligations:

This griddle must be assembled, installed, operated and maintained in accordance with all applicable codes and the instruction manual furnished with this griddle. You must keep an invoice, cancelled check or payment record to verify the purchase date of the griddle.

**Questions, problems, missing parts? Before returning to your retailer, call our customer care team at 866-994-6390, 9 a.m.-5 p.m., EST, Monday-Friday or email: outdoors@cuisinart.com
Visit our website: www.cuisinart.com**

2410

Cuisinart
Outdoors™

Model# CEG-1149
Cuisinart Outdoors
Glendale, AZ 85307