

# Lumination® LED Luminaire



## LED Diffuser Replacement (BR Series)



### BEFORE YOU BEGIN

Read these instructions completely and carefully.



### WARNING/ AVERTISSEMENT

#### RISK OF ELECTRIC SHOCK

- Turn power off before inspection, installation or removal.
- Properly ground electrical enclosure.

#### RISK OF FIRE

- Follow all NEC and local codes.
- Use only UL approved wire for input/output connections. Minimum size 18 AWG (0.75mm<sup>2</sup>).

#### RISQUES DE DÉCHARGES ÉLECTRIQUES

- Coupez l'alimentation avant d'inspecter, installer ou déplacer le luminaire.
- Assurez-vous de correctement mettre à la terre le boîtier d'alimentation électrique.

#### RISQUES D'INCENDIE

- Respectez tous les codes NEC et codes locaux.
- N'Utilisez que des fils approuvés par UL pour les entrées/ sorties de connexion. Taille minimum 18 AWG (0.75mm<sup>2</sup>).

## SAVE THESE INSTRUCTIONS

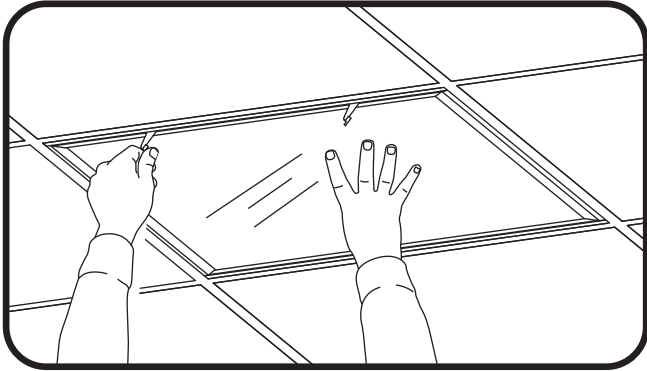
Use only in the manner intended by the manufacturer. If you have any questions, contact the manufacturer.

## Specifications

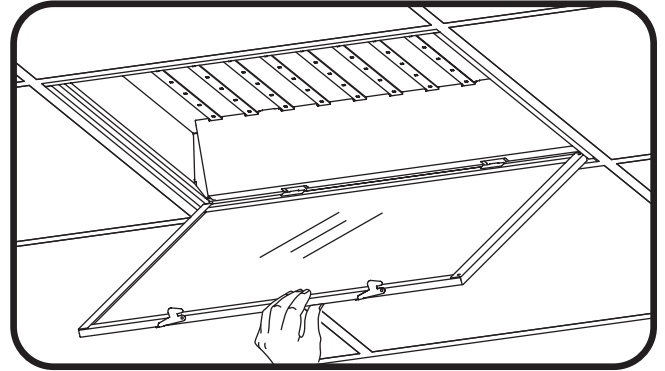
Description Code	Corresponding Luminaires
22 diffuse	Backlit Troffer 22 series
14 diffuser	Backlit Troffer 14 series
24 diffuser	Backlit Troffer 24 series

## Diffuser Replacement Steps

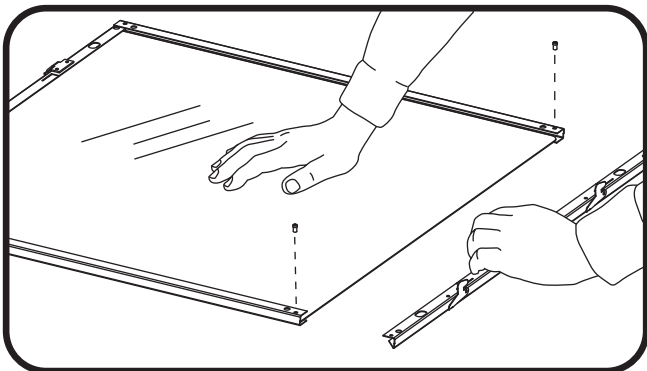
**Note:** The following depict the 22 series luminaire. However, the procedure is the same for the 14 and 24 series fixtures.



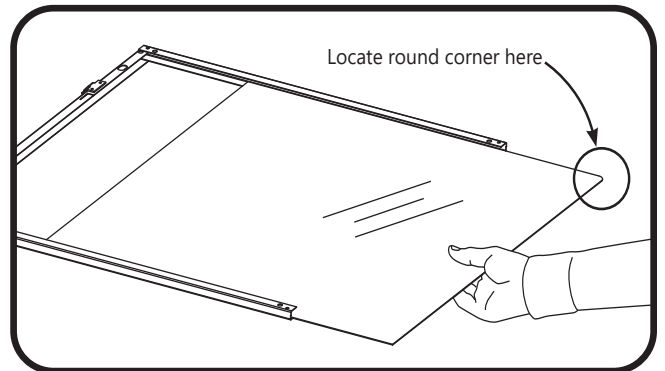
**1** Rotate latches to unlock the front bezel.



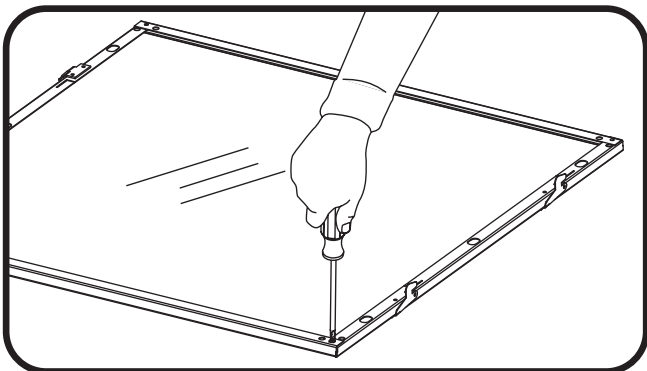
**2** Swing down panel and lift off front bezel with diffuser.



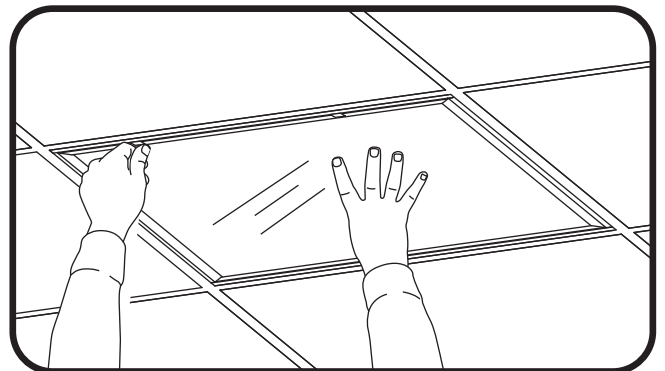
**3** Place front bezel with diffuser on table. Unfasten the two rail screws on the end rail with latches, then remove this end rail.



**4** Remove the old diffuser by sliding it toward the side without end rail. Insert new diffuser, keeping the round corner of diffuser on bottom right.



**5** Reattach end rail with screws.



**6** Hang panel on its hinges and swing up into place. Rotate latches on front bezel to fasten it.

**Note:** Front side of diffuser should face outward.