

Lumination® LED Luminaire

Refit Universal Linear Kit

(RUL-Series)



BEFORE YOU BEGIN

Read these instructions completely and carefully.

⚠ WARNING/AVERTISSEMENT

RISK OF ELECTRIC SHOCK

- Turn power off before inspection, installation or removal.
- Properly ground electrical enclosure.
- Luminaires wiring and electrical parts may be damaged when drilling for installation of LED retrofit kit. Check for enclosed wiring and components.
- LED retrofit kit installation requires knowledge of luminaire electrical systems. If not qualified, do not attempt installation. Contact qualified electrician.
- Install this kit only in luminaires that have the construction features and dimensions shown in the photographs and/or drawings and where the input rating of the retrofit kit does not exceed the input rating of the luminaire.
- To prevent wiring damage or abrasion, do not expose wiring to edges of sheet metal or other sharp objects.
- This retrofit kit is accepted as a component of a luminaire where the suitability of the combination shall be determined by authorities having jurisdiction.

RISK OF ELECTRIC SHOCK

- Follow all NEC and local codes.
- Use only UL approved wire for input/output connections. Minimum size 18 AWG or 14 AWG for continuous runs.

RISQUES DE DÉCHARGES ÉLECTRIQUES

- Coupez l'alimentation avant d'inspecter, installer ou déplacer le luminaire.
- Assurez-vous de correctement mettre à la terre le boîtier d'alimentation électrique.
- Le câblage du luminaire ainsi que ses composantes électriques peuvent être endommagés lors du perçage requis pour l'installation de l'ensemble de mise à niveau à DEL. Vérifiez le câblage et les composants.
- L'installation de l'ensemble de mise à niveau à DEL requiert des connaissances en système électrique d'éclairage. Si vous n'avez pas les qualifications adéquates, ne procédez pas à l'installation et contactez un électricien qualifié.
- N'installez cet ensemble de mise à niveau que dans des luminaires ayant les caractéristiques de construction et les dimensions indiquées dans les photographies et/ou dessins. La puissance d'entrée de l'ensemble de mise à niveau ne doit pas excéder la puissance d'entrée nominale du luminaire dans lequel il est installé.
- Afin de prévenir tout dommage ou abrasion aux fils électriques, évitez que ceux-ci ne viennent en contact avec les bordures métalliques ou d'autres objets pointus.
- Le nécessaire de modernisation est accepté à titre de composant d'un luminaire lorsque la pertinence de la combinaison doit être déterminée par les autorités compétentes.

RISQUES D' INCENDIE

- Respectez tous les codes NEC et codes locaux.
- N'utilisez que des fils approuvés par UL pour les entrées/sorties de connexion. Taille minimum 18 AWG ou 14 AWG pour les rangées continues.

This device complies with Part 15 of the FCC Rules. Operation is subject to the following two conditions: (1) This device may not cause harmful interference, and (2) this device must accept any interference received, including interference that may cause undesired operation. CAN ICES-005 (A) / NMB-005 (A)

Note: This equipment has been tested and found to comply with the limits for a Class A digital device, pursuant to part 15 of the FCC Rules. These limits are designed to provide reasonable protection against harmful interference when the equipment is operated in a commercial environment. This equipment generates, uses, and can radiate radio frequency energy and, if not installed and used in accordance with the instruction manual, may cause harmful interference to radio communications. Operation of this equipment in a residential area is likely to cause harmful interference in which case the user will be required to correct the interference at his own expense.

Save These Instructions

Use only in the manner intended by the manufacturer. If you have any questions, contact the manufacturer.

Prepare Electrical Wiring



Electrical Requirements

The LED luminaire must be connected to the mains supply according to its ratings on the product label.

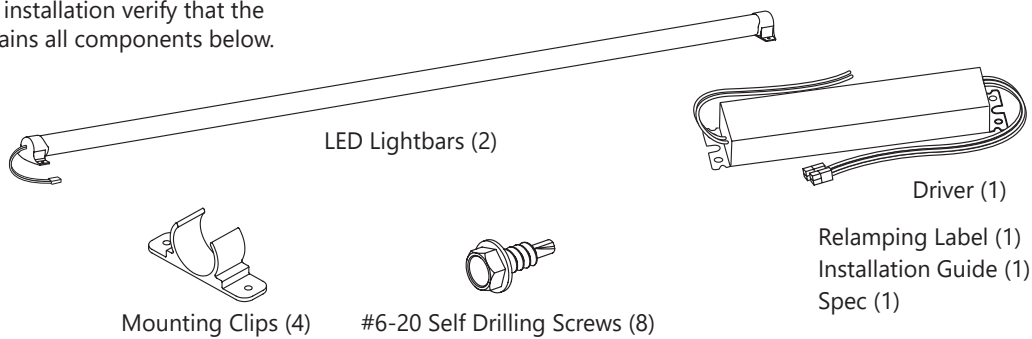


Grounding Instructions

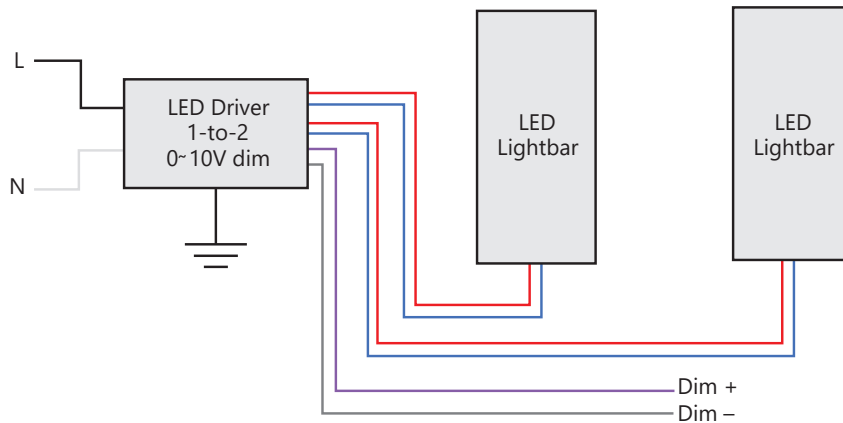
The grounding and bonding of the overall system shall be done in accordance to local electric code of the country where the luminaire is installed.

Components Supplied

Prior to installation verify that the kit contains all components below.



Driver Diagram/Electrical Connections



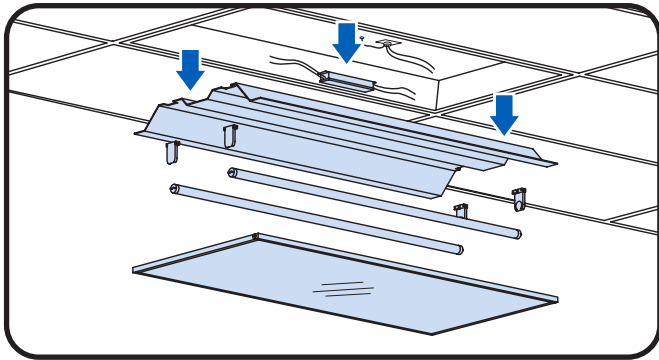
Luminaire Requirements

The unit covered by this report is intended to retrofit: Listed surface mounted fluorescent luminaires, or Type Non-IC or type IC recessed mounted fluorescent luminaires; with or without diffusers that use, straight 2 or 4 ft tubular lamp(s).

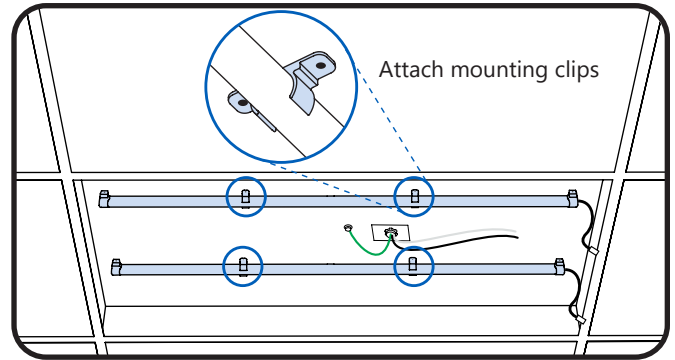
Model	Length (mm)	Width (mm)	Height (mm)	Spacing between tubes (mm)
RUL248A0wwxxLB	559	140 x N	50	140
RUL4880wwxxLB	1118	140 x N	50	140

N = Number of tubes

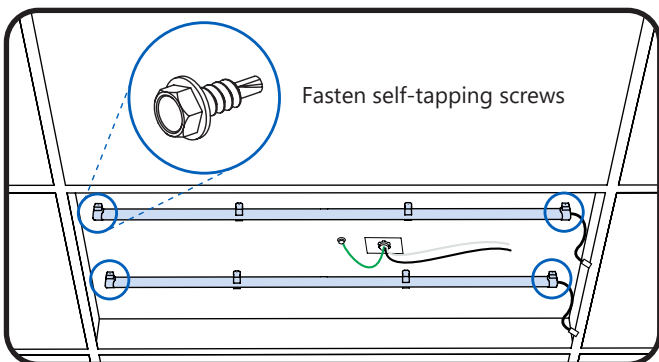
Installation



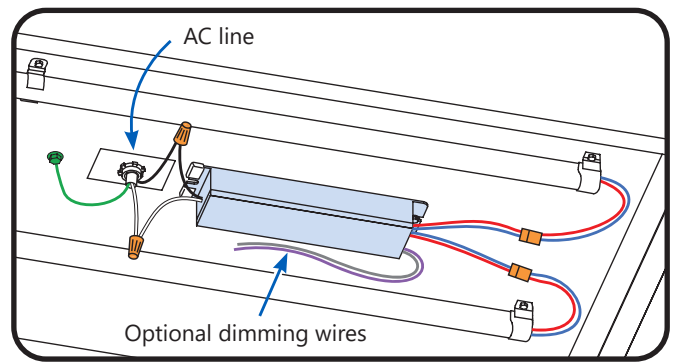
- 1 Prepare Existing Fixture For Installation**
 Prior to installation, disconnect all incoming power to fixture, remove all electrical parts and ballast compartment cover leaving only the supply and grounding leads.
 Remove existing hardware (reflectors/ballast covers, brackets, lamps). Save ballast cover for reuse.



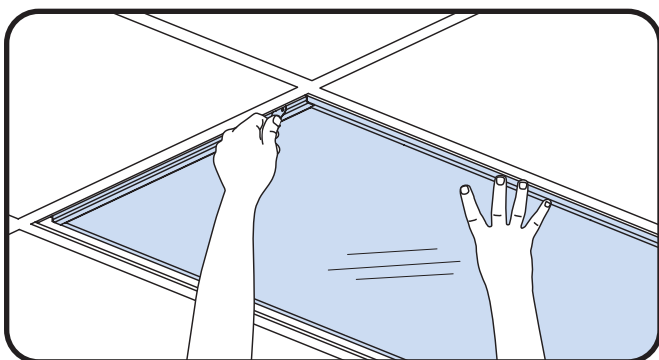
- 2 Attach Mounting Clips**
- Snap two mounting clips onto each LED lightbar.
 - Bring LED lightbar into housing and reposition the mounting clips as needed. (For temporary placement of the lightbar, the mounting clips have magnets located on the bottom of each clip).



- 3 Fasten Lightbars to Housing**
 Once lightbars are in desired position permanently secure them to housing by inserting supplied self-tapping screws into the endcaps on each end of the lightbar.



- 4 Attach Driver To Housing**
- Place new driver into housing and secure. Ensure driver is properly grounded using a serrated grounding screw (not supplied).
 - Connect the power supply lead connectors to the LED lightbar connectors.
 - Replace ballast cover and affix field-applied label onto housing.



- 5 Close Lens/Door and Secure Latches**

IMPORTANT: Only those open holes indicated in the photographs and/or drawings may be made or altered as a result of kit installation. Do not leave any other open holes in an enclosure of wiring or electrical components.