

⚠ WARNING

- Not for permanent installation.
- For outdoor use only.
- Use caution with all electric appliances, tools, extension cords and lights on and around table.
- Surface can become hot in direct sun or high temperatures.
- Maximum top weight load of 75 LBS.
- Use only on level surfaces.
- Do not allow children to climb the product.
- Ensure all objects placed on the table are stable before use, surfaces may be slippery.

Customer Service Hotline
1-866-994-6390

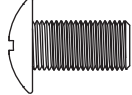
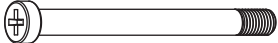


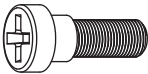

DO NOT RETURN PRODUCT TO THE STORE

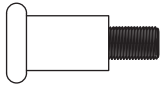


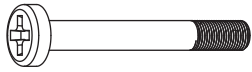
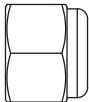

Before visiting your local retailer, please email outdoors@cuisinart.com or call 1-866-994-6390 to chat with a representative. To best serve you, our representatives are available to answer your calls Monday to Friday 9 AM - 5 PM EST .

Table of Contents	2
Package Contents List	2
Assembly Instructions	4
Care and Maintenance	13
Exploded View	14
Parts List	15
Warranty & Contact	16

WHAT'S IN THE BOX

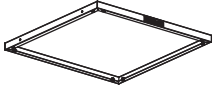
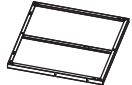

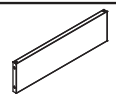
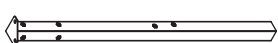

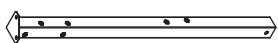
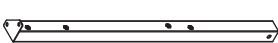
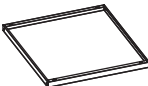

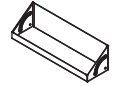
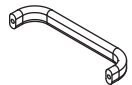

HARDWARE



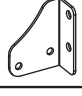
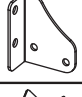
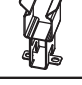



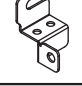
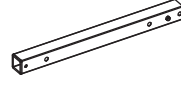

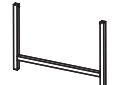

PART	DESCRIPTION	PART IMAGE	QTY
A	Phillips Head Screw M6-12		(x48)
B	Phillips Head Long Screw M8-85		(x2)
C	Flat Washer M8		(x2)
D	Lock Nut M8		(x2)
E	Phillips Head Shoulder Screw M6-10		(x9)
F	Phillips Head Screw M4-8		(x8)

PART	DESCRIPTION	PART IMAGE	QTY
G	Tool Hook		(x2)
H	Hex Nut 1/4"		(x2)
I	Cotter Pin		(x2)
J	Phillips Head Long Screw M6-48		(x2)
K	Lock Nut M6		(x6)
L	Wrench M6/M8		(x1)

WHAT'S IN THE BOX

COMPONENTS

PART	DESCRIPTION	PART IMAGE	QTY
1	Main Table		(x1)
2	Folding Table		(x1)
3	Handle		(x1)
4	Side Panel		(x3)
5	Leg A		(x1)
6	Leg B		(x1)
7	Leg C		(x1)
8	Leg D		(x1)
9	Lower Shelf		(x1)
10	Shelf Bracket		(x4)
11	Caddy		(x1)
12	Caddy Handle		(x1)
13	Wheel		(x2)

PART	DESCRIPTION	PART IMAGE	QTY
14	Hinge Bracket E		(x1)
15	Hinge Bracket F		(x1)
16	Hinge Bracket C		(x1)
17	Hinge Bracket D		(x1)
18	Folding Leg Clip		(x1)
19	Folding Leg Bracket		(x2)
20	Trash Bag Frame		(x1)
21	Trash Bag Bracket A		(x1)
22	Trash Bag Bracket B		(x1)
23	Upper Folding Leg E		(x1)
24	Upper Folding Leg F		(x1)
25	Lower Folding Leg G		(x1)
26	Folding Table Strap		(x1)

ASSEMBLY INSTRUCTIONS

Before beginning assembly, installation or operation of product, make sure all parts are present. Compare parts against components list on p. 2-3. If any part is missing or damaged please contact our customer service team for assistance before proceeding.

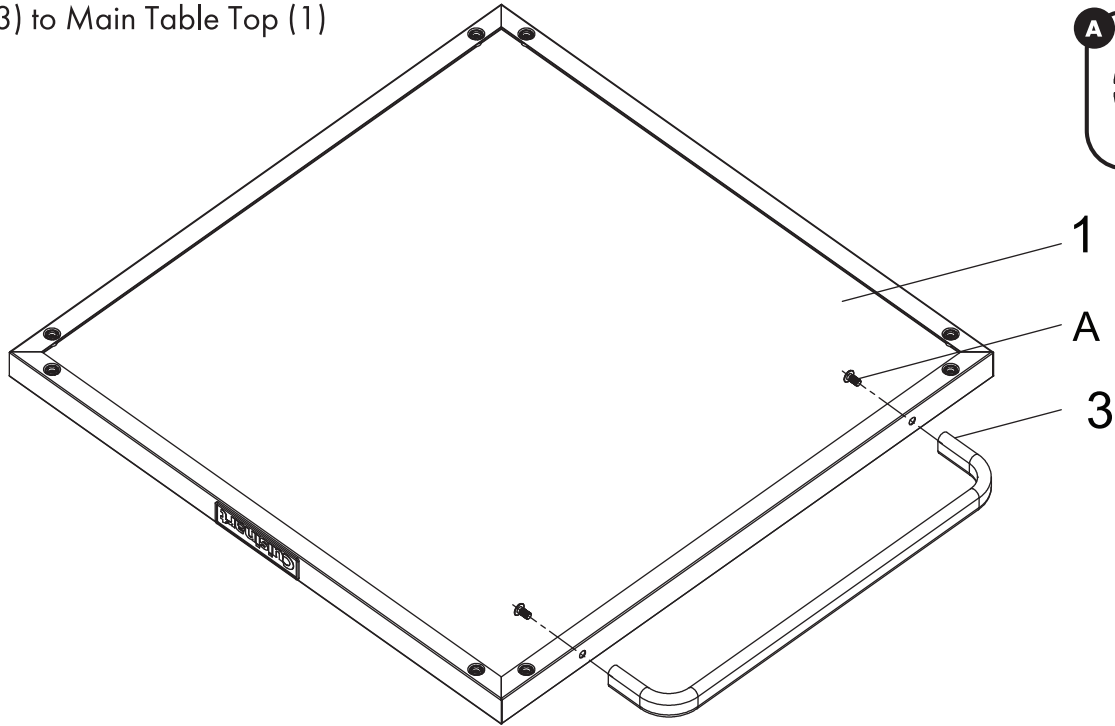
- To avoid accidentally scratching the product we recommend assembling it on top of a soft surface, like the packaging box.

NOTE: You will need a Phillips head screw driver to perform this assembly (not included).



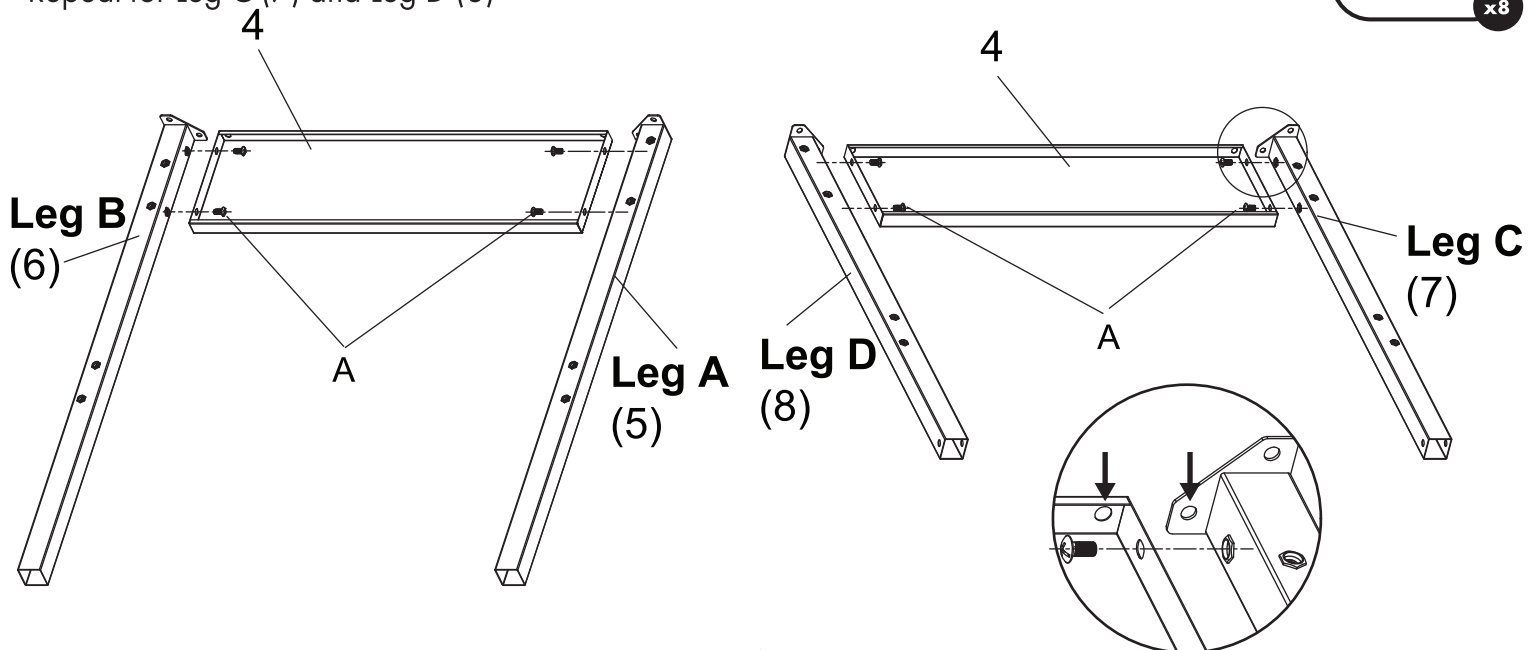
STEP 1

- Attach Handle (3) to Main Table Top (1) with 2 screws.



STEP 2

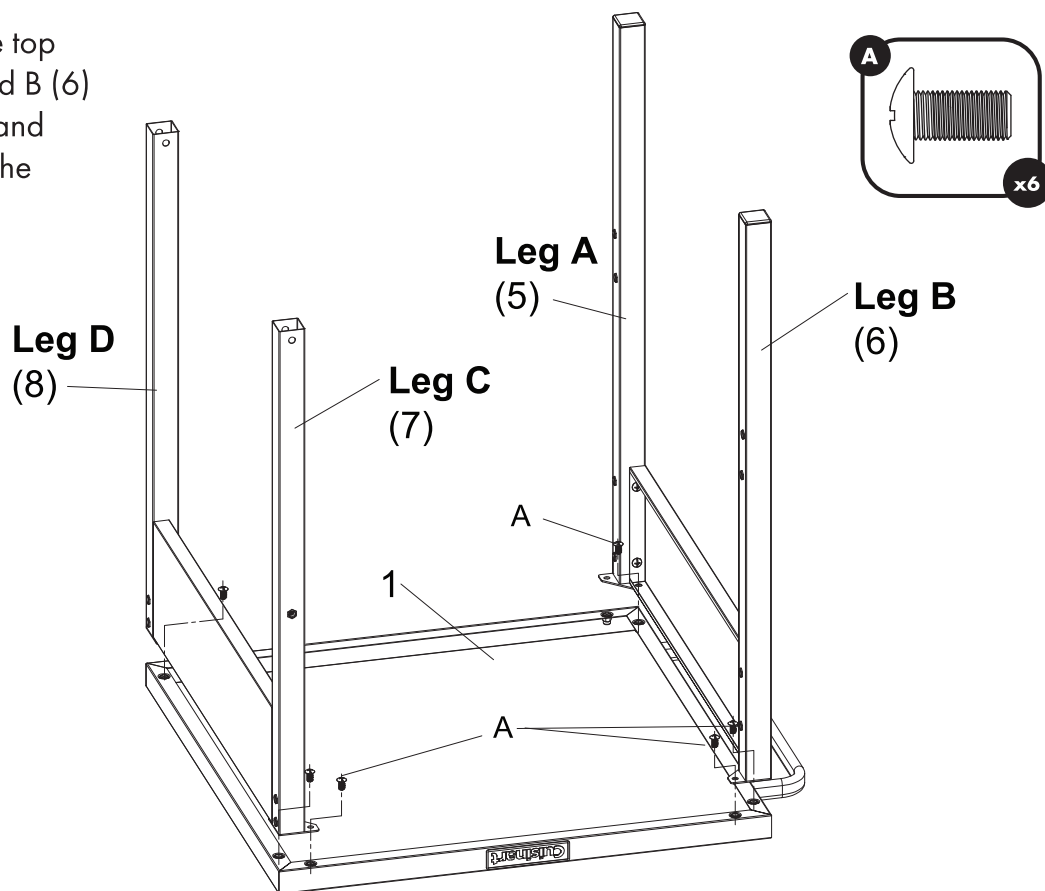
- Assemble Leg A (5) and Leg B (6) to the Side Panel (4) with 4 screws.
- Line up the hole at the top of the side panel with the hole at the top of the leg. Refer to the detailed view.
- Repeat for Leg C (7) and Leg D (8)



ASSEMBLY INSTRUCTIONS

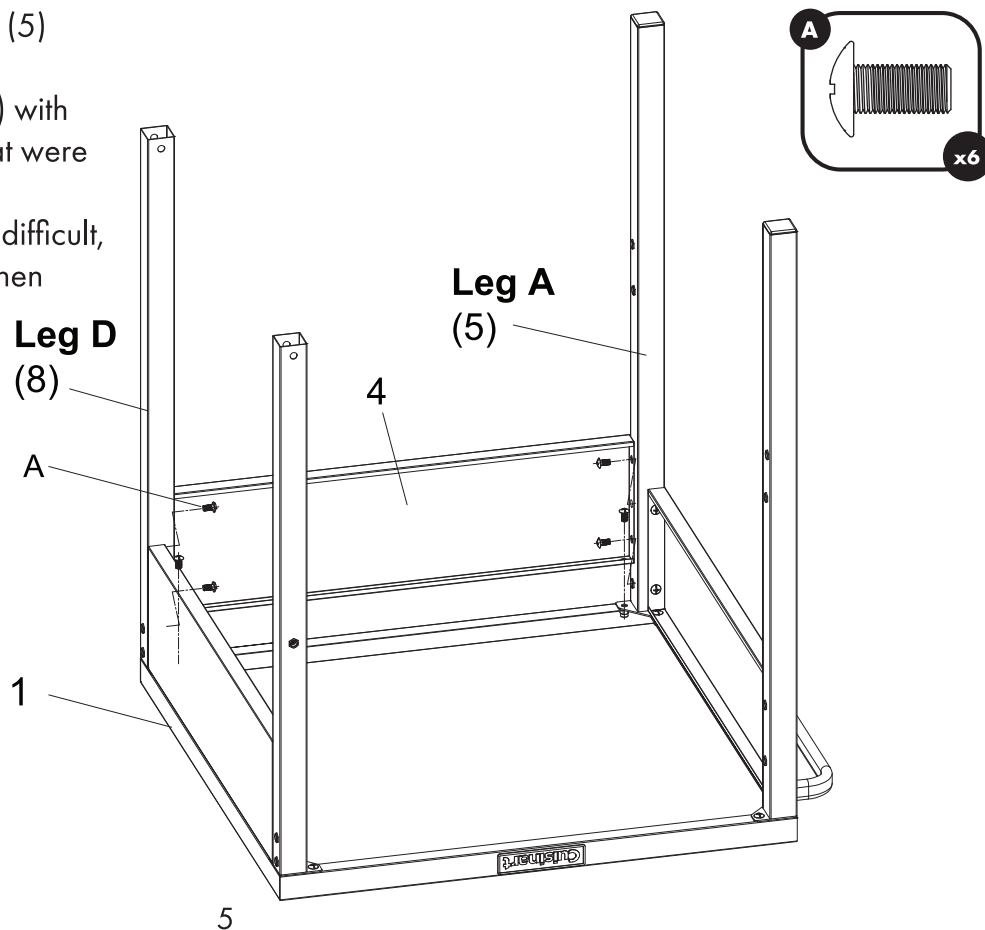
STEP 3

- Attach leg assemblies to the table top with 6 screws total. Legs A (5) and B (6) have a plastic cap at the bottom and should assemble to the side with the handle.
- NOTE: 2 screws between Leg A (5) and D (8) should be set aside to be assembled during the next step.



STEP 4

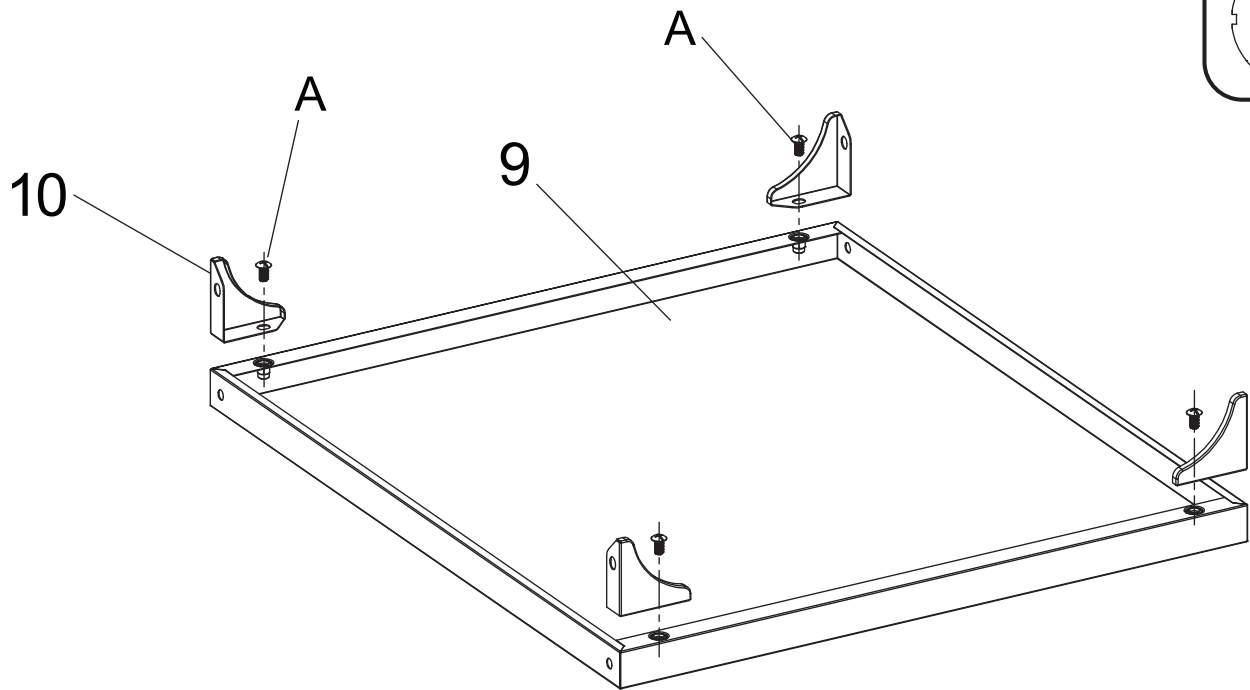
- Attach Side Panel (4) between Leg A (5) and Leg D (8) with 4 Screws.
- Attach Side Panel (4) to Table Top (1) with 2 screws, these are the two screws that were set aside in the previous step.
- NOTE: If positioning the side panel is difficult, loosen the screws installed in step 3, then re-tighten all screws when the panel is in place.



ASSEMBLY INSTRUCTIONS

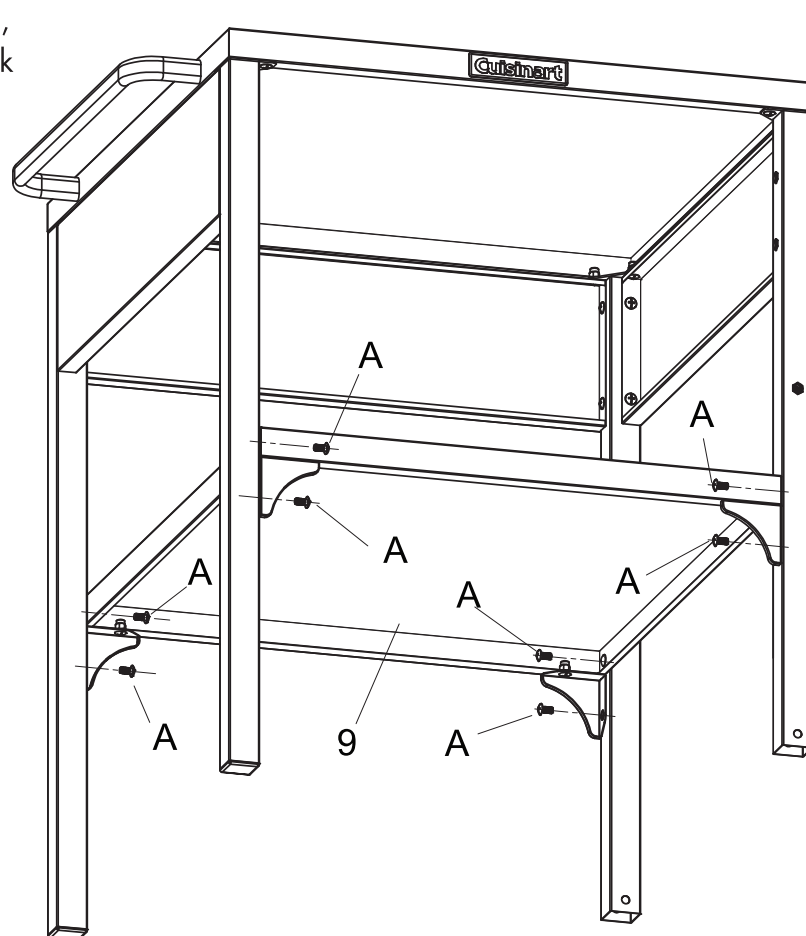
STEP 5

- Assemble Shelf Brackets (10) to Lower Shelf (9) with 4 screws.



STEP 6

- On a soft surface like cardboard, lay the table assembly on its back and position the lower shelf so the screw holes line up. Attach it to the legs with 8 screws.

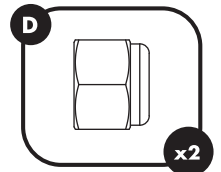
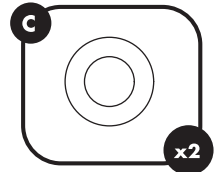
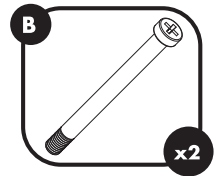
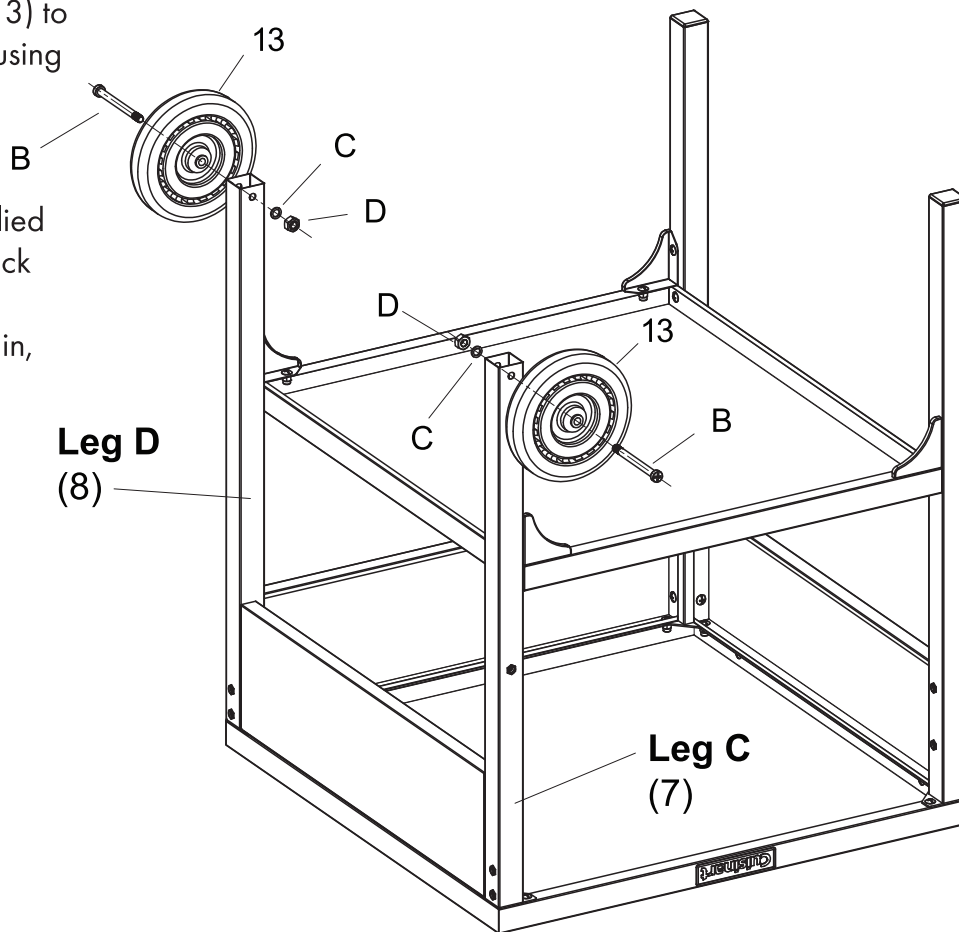


ASSEMBLY INSTRUCTIONS

STEP 7

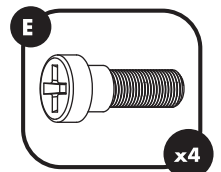
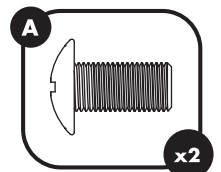
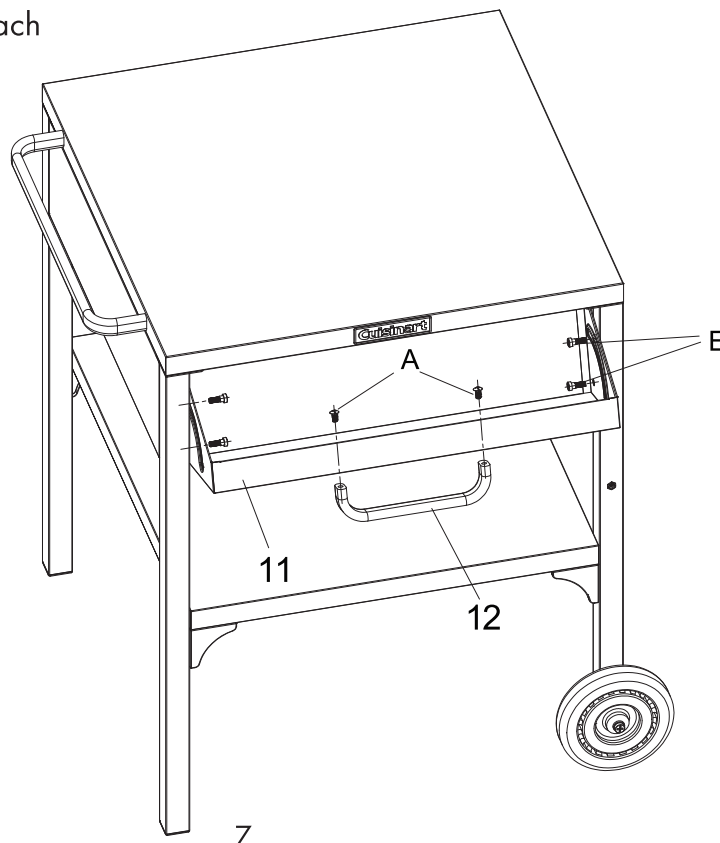
- Attach the Wheels (13) to Leg C (7) and D (8) using long bolt, washer, and lock nut.

- NOTE: Use the supplied wrench to hold the lock nut in place while screwing all the way in, then back it off a turn or two so the wheel spins freely.



STEP 8

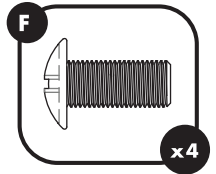
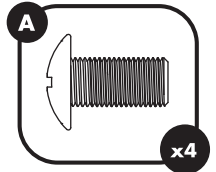
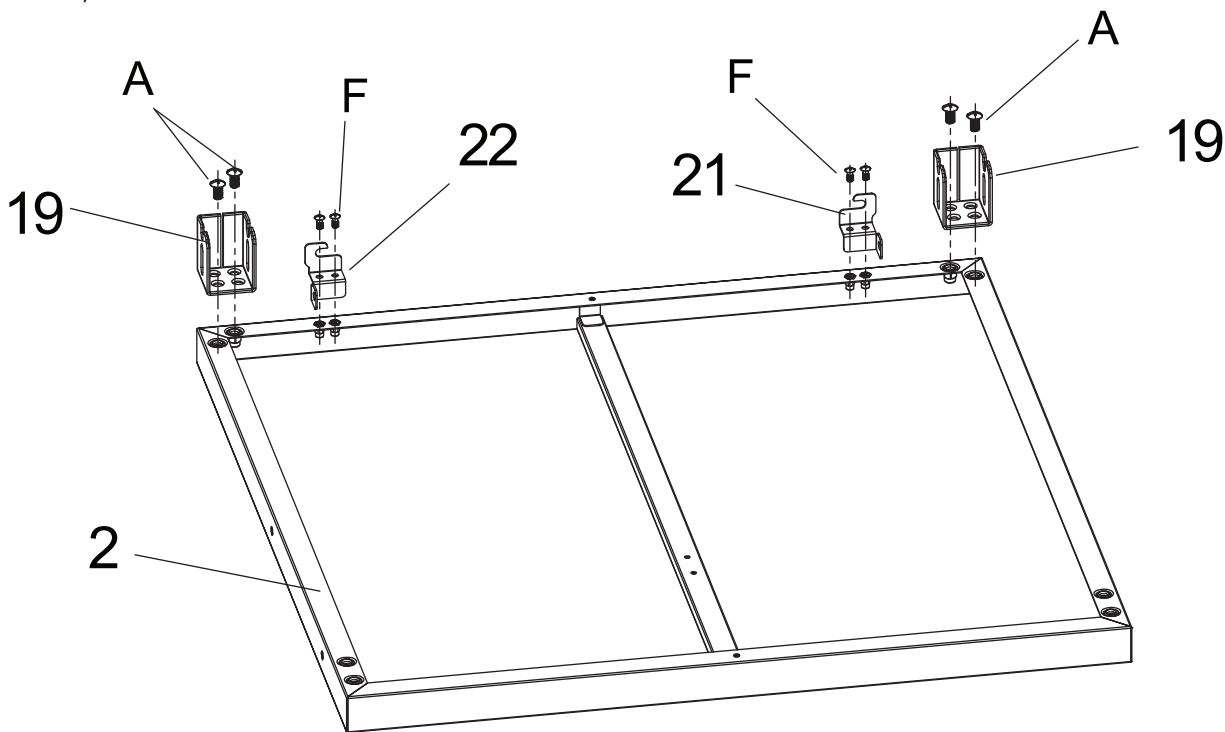
- Stand the table right side up and attach the Caddy (11) with 4 shoulder screws. Ensure the caddy folds open and closed smoothly.
- Attach the Caddy Handle (12) with 2 screws.



ASSEMBLY INSTRUCTIONS

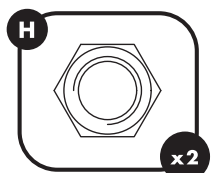
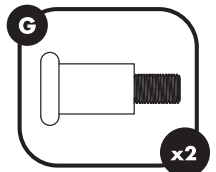
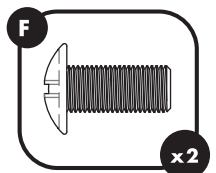
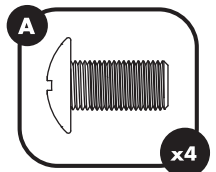
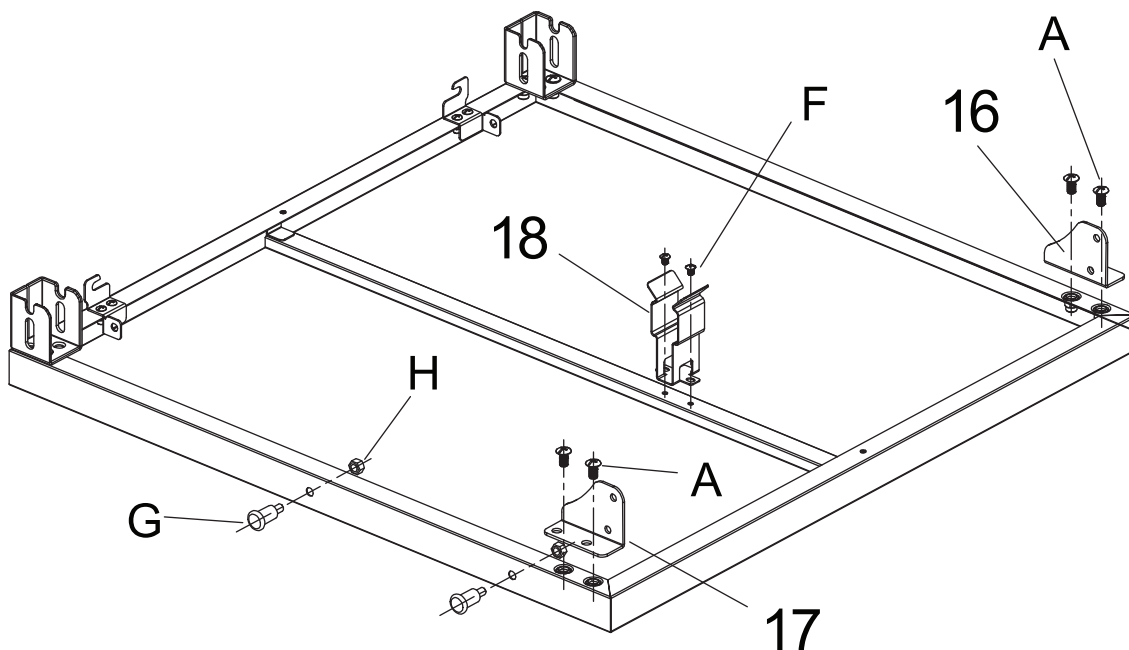
STEP 9

- Lay the Folding Table (2) upside down and attach the Folding Leg Brackets (19) with 4 screws.
- Attach Trash Bag Frame Brackets A (21) and B (22) with 4 screws. The hooks should face inward, at each other.



STEP 10

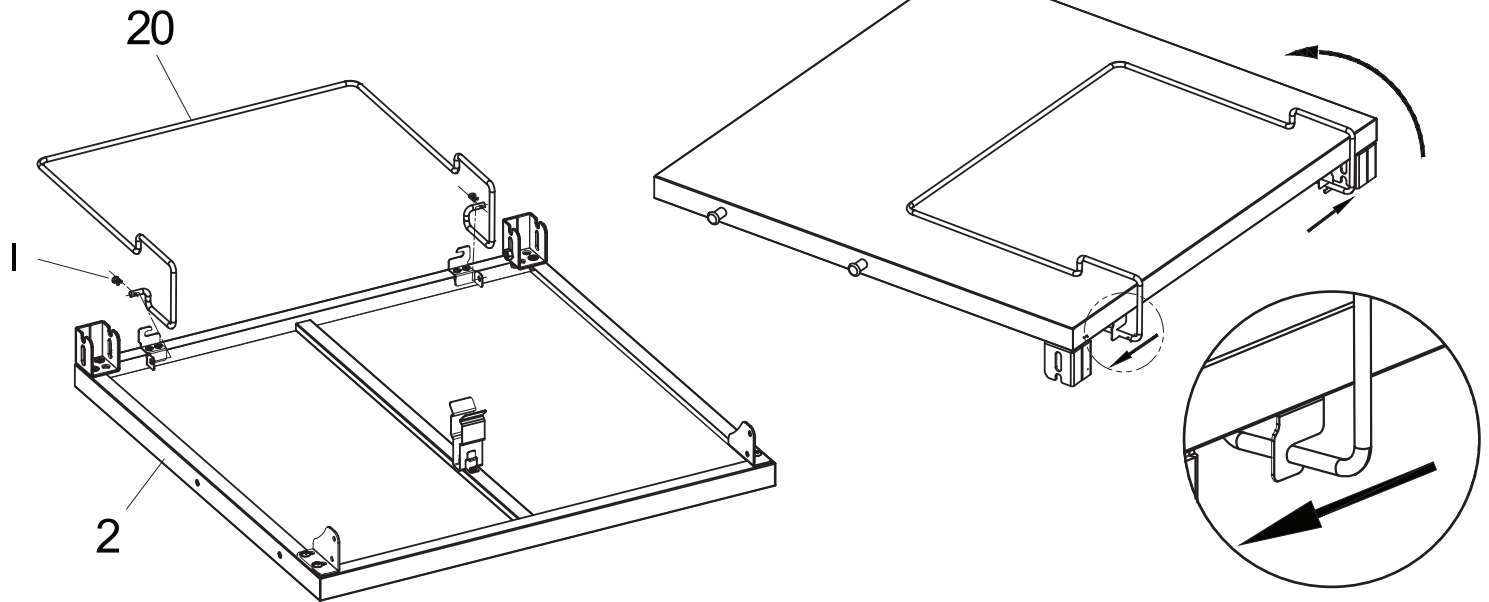
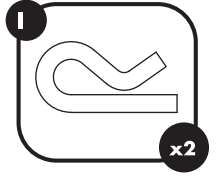
- Attach the Hinge Bracket C (16) and Hinge Bracket D (17) with 4 screws. Note the orientation of each in the diagram.
- Attach Folding Leg Clip (18) to the center brace with 2 screws.
- Attach 2 tool hooks with 2 nuts by hand.



ASSEMBLY INSTRUCTIONS

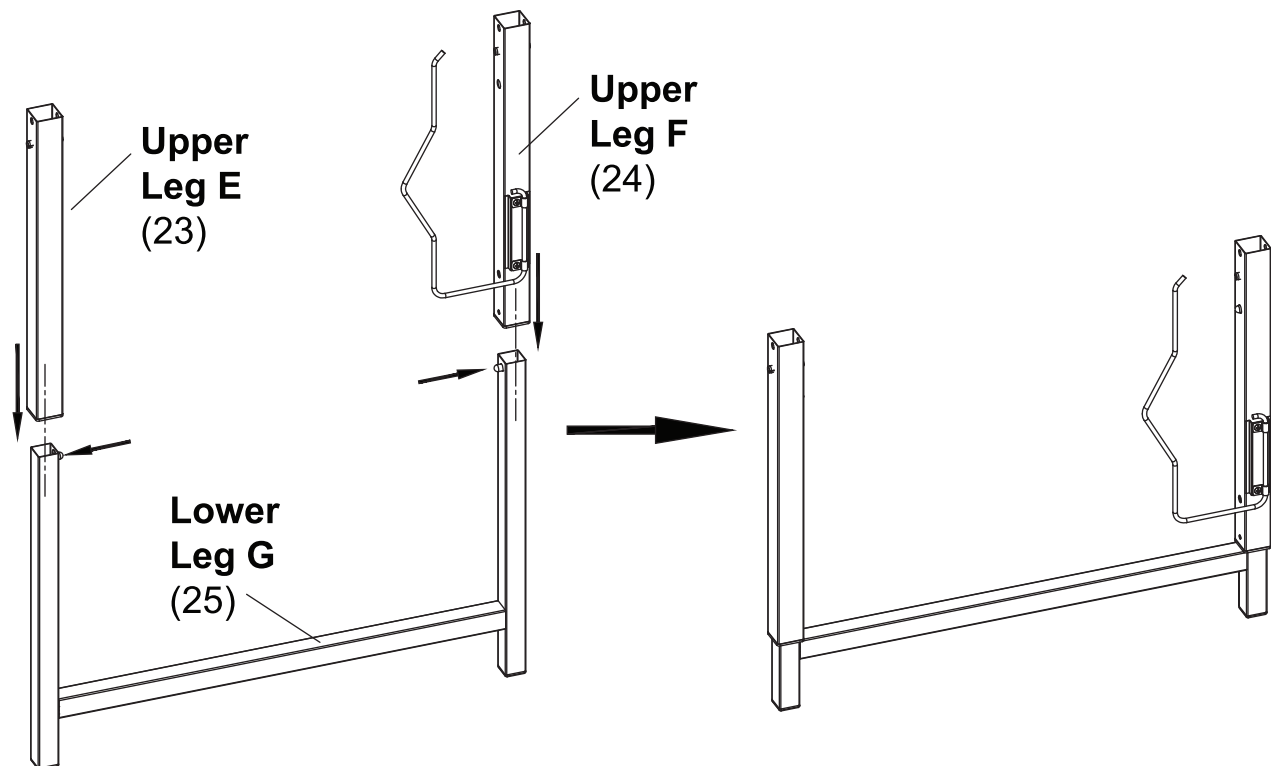
STEP 11

- Insert the ends of the Trash Bag Frame (20) into the holes of their brackets. Secure it with 2 cotter pins.
- Fold the wire frame around to the top of the table, gently pressing the legs together to avoid the hooks.
- Secure it by pushing the frame outwards into the hooks on the bracket. Only one hook needs to be engaged for the lock to be effective.



STEP 12

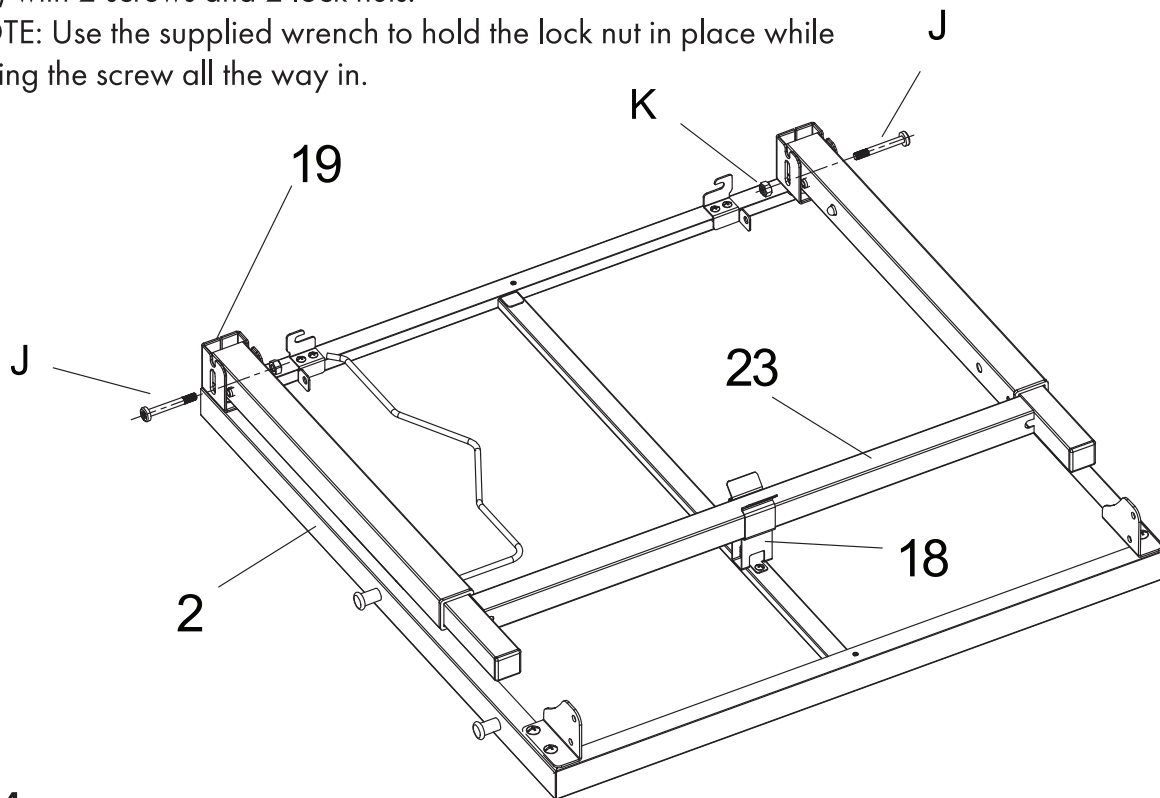
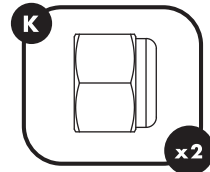
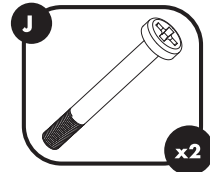
- Hold the spring button down on Lower Leg G (25) and fully insert it into the plastic end of Upper leg E (23) and Upper Leg F (24). Orient the upper legs so that the holes face inward for the spring button to snap into.



ASSEMBLY INSTRUCTIONS

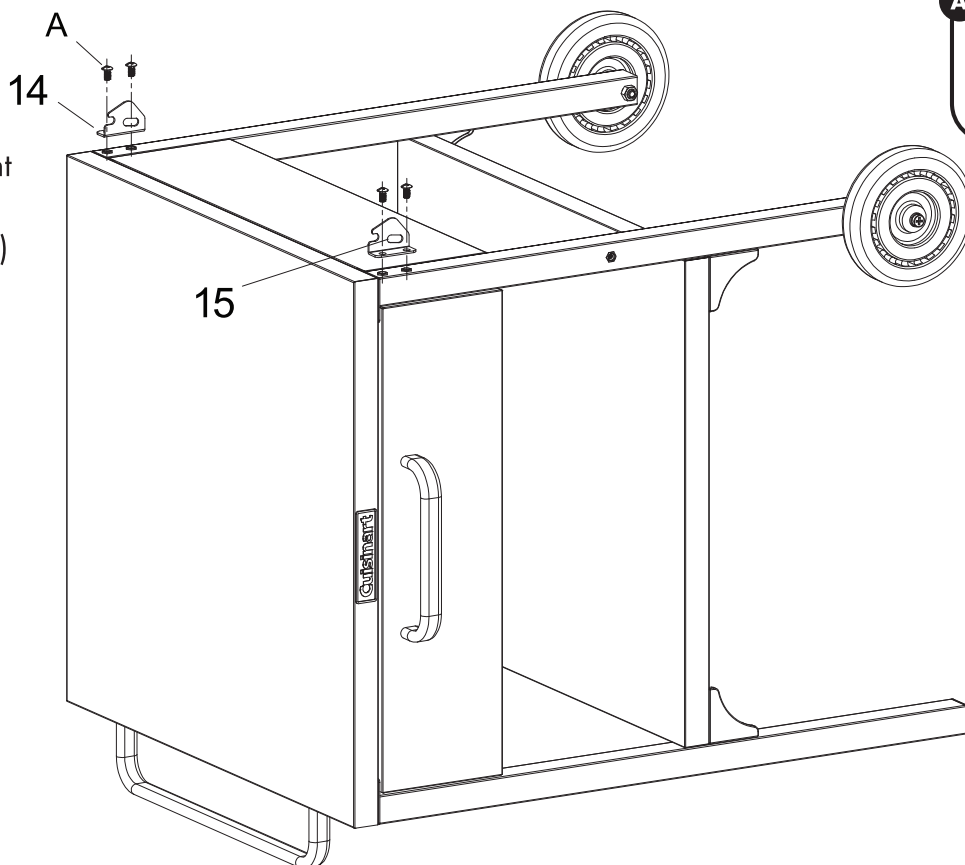
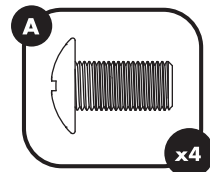
STEP 13

- Secure the folding leg assembly into the clamp (18) and attach it to the brackets (19) with 2 screws and 2 lock nuts.
- NOTE: Use the supplied wrench to hold the lock nut in place while driving the screw all the way in.



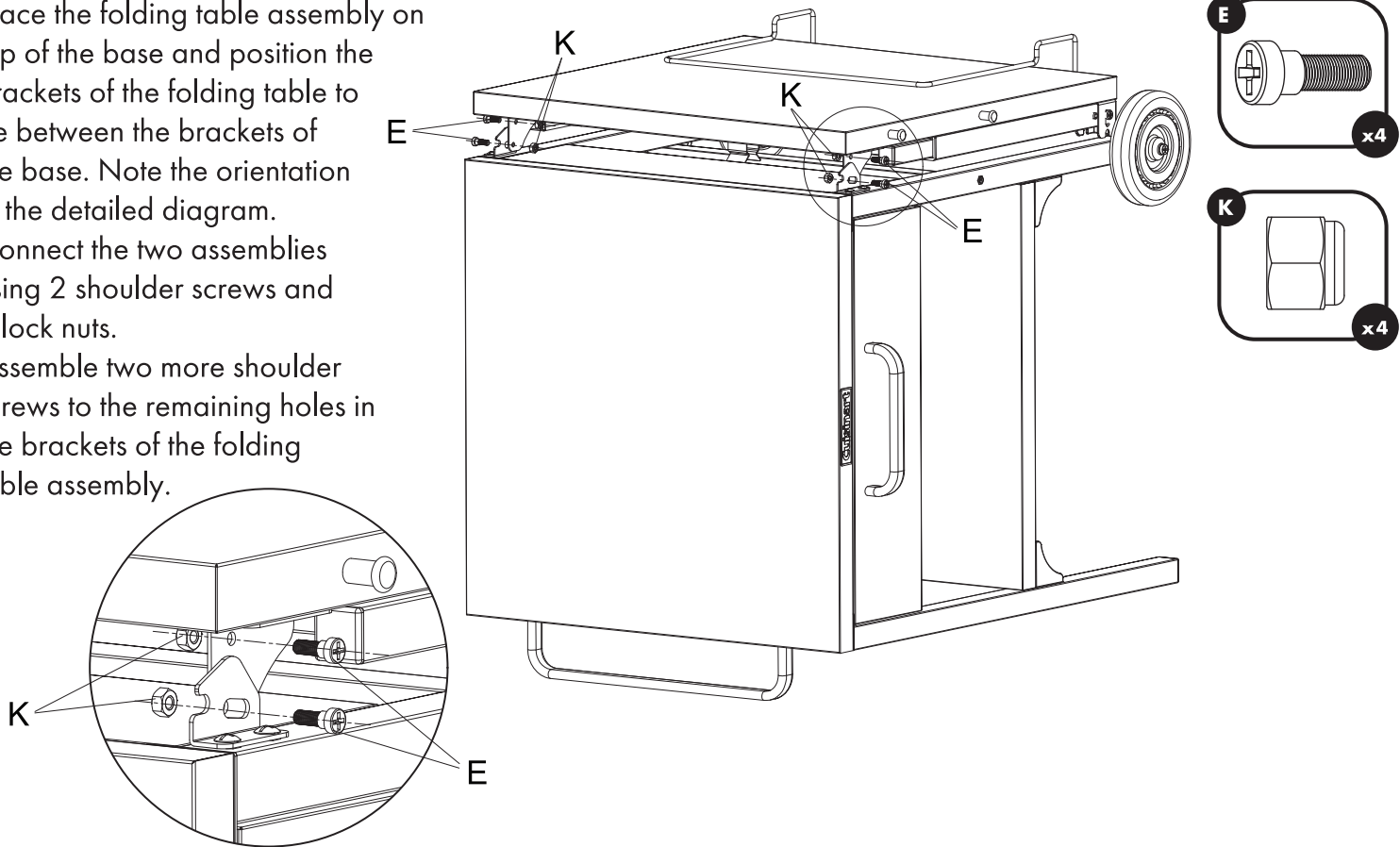
STEP 14

- Gently lay the table on its side, resting on the handle. Be sure to rest it on something soft like a cardboard box to prevent scratches.
- Install Hinge Bracket E (14) and Hinge Bracket F (15) using 4 screws.



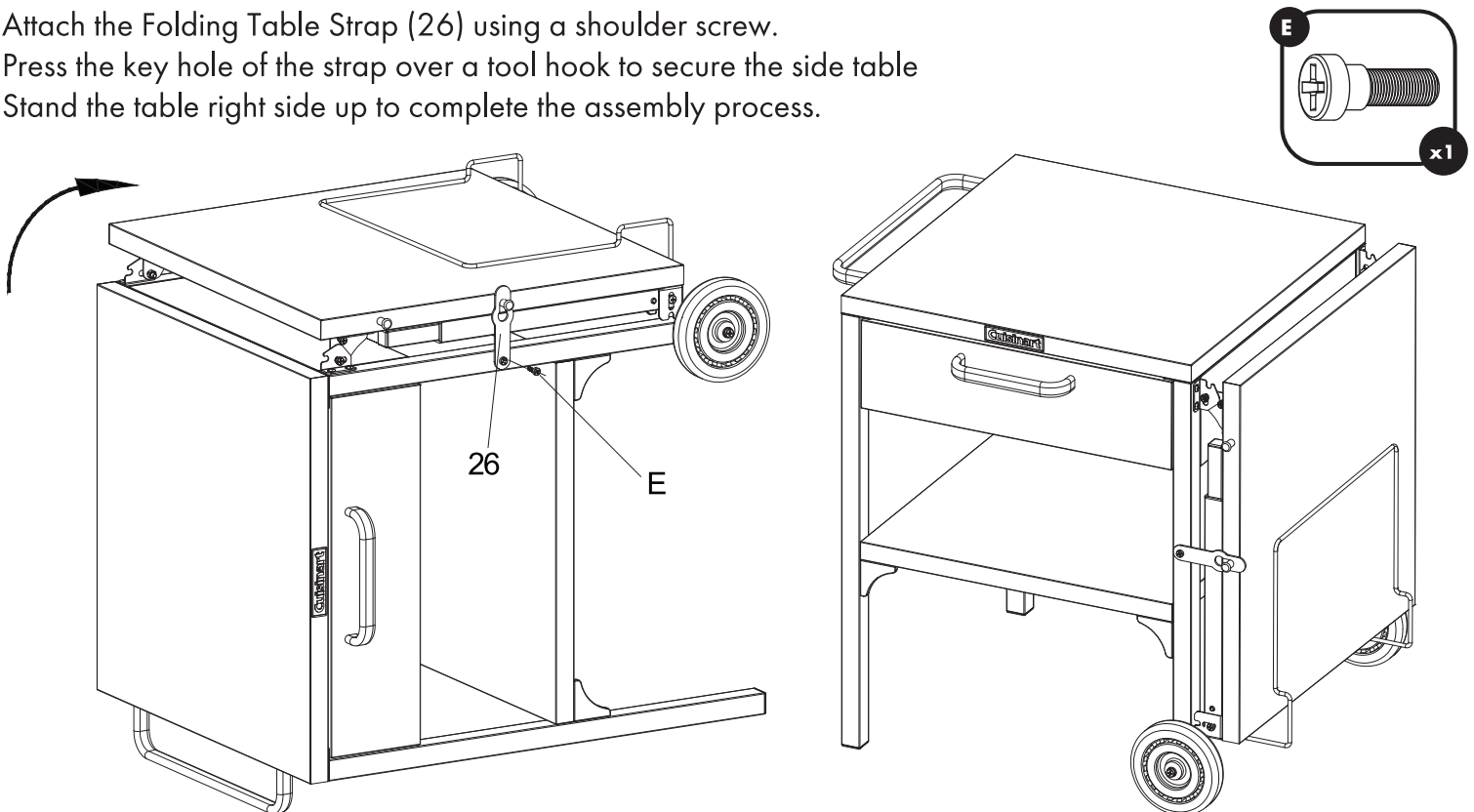
STEP 15

- Place the folding table assembly on top of the base and position the brackets of the folding table to be between the brackets of the base. Note the orientation in the detailed diagram.
- Connect the two assemblies using 2 shoulder screws and 2 lock nuts.
- Assemble two more shoulder screws to the remaining holes in the brackets of the folding table assembly.

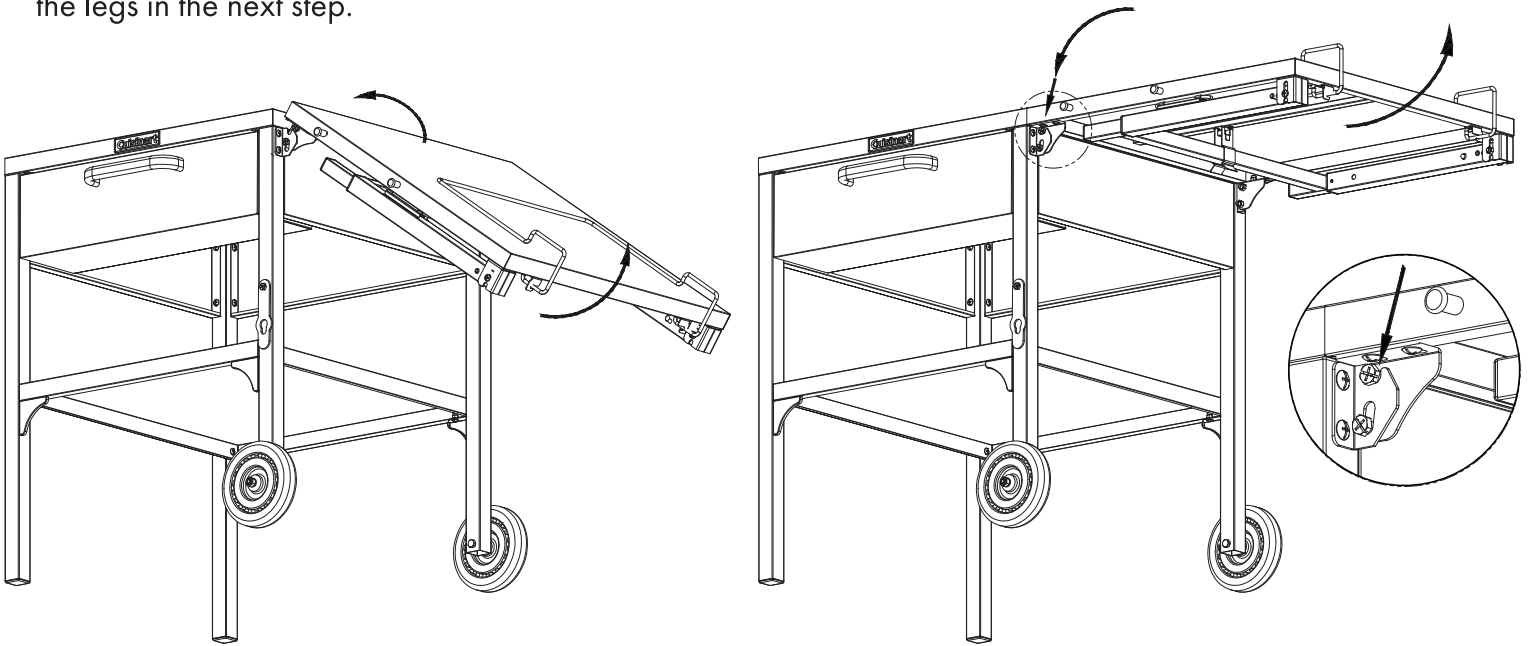


STEP 16

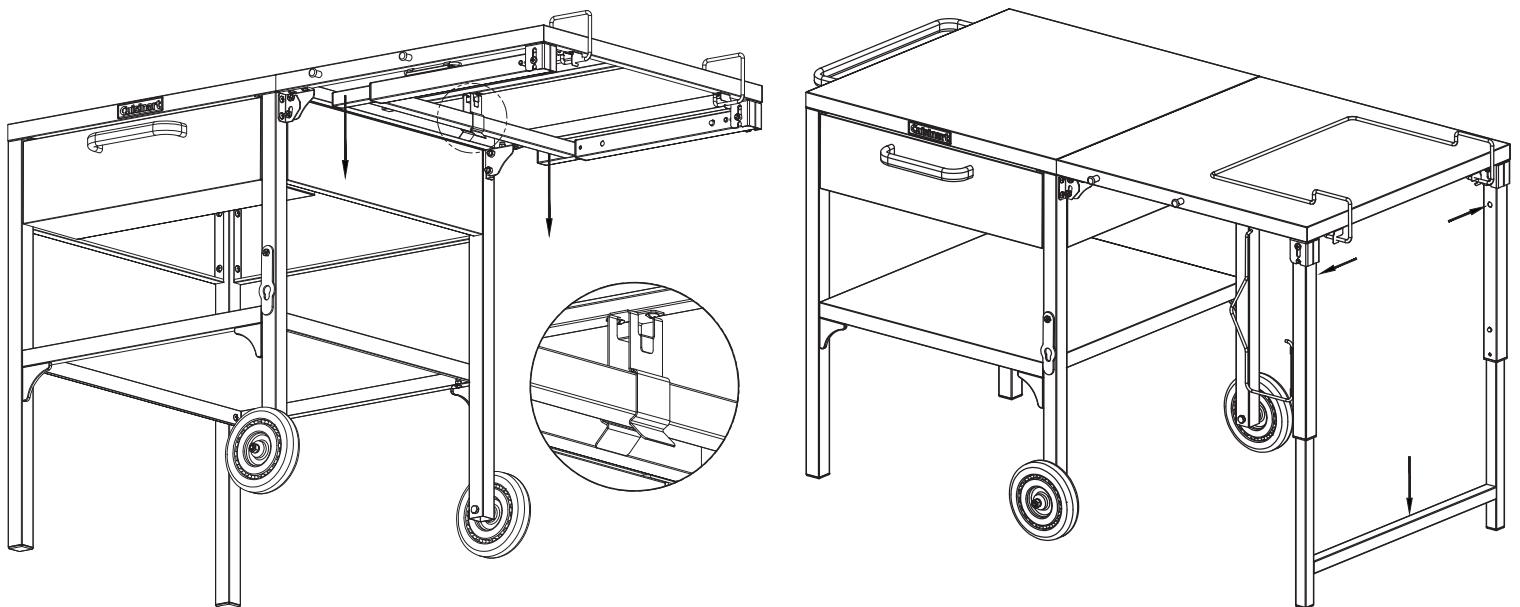
- Attach the Folding Table Strap (26) using a shoulder screw.
- Press the key hole of the strap over a tool hook to secure the side table.
- Stand the table right side up to complete the assembly process.



- Unlatch the rubber strap
- Swing the side table out until it is level with the main table, the hinge will lock in place.
- Caution: This hinge lock is only to help you deploy the table. The table should not be used before deploying the legs in the next step.

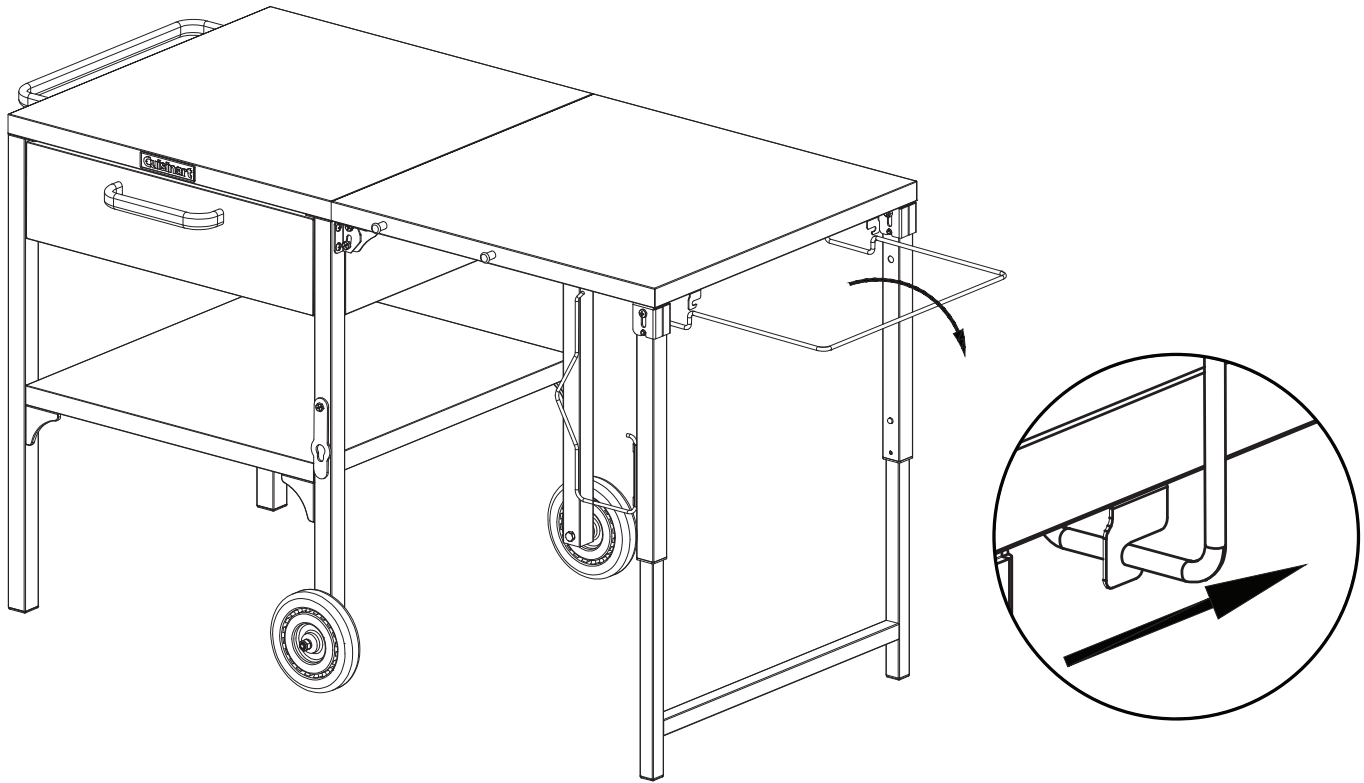


- Pull the leg assembly from the clip and allow it to swing down.
- Extend the legs. Locate the two spring buttons at the top and hold them in while gently pushing the center bar down with your foot until both spring buttons click into place.



USING THE PRODUCT

- Unfold the trash bag frame by gently pressing the two ends of the frame inward to clear the hooks, then folding it out.



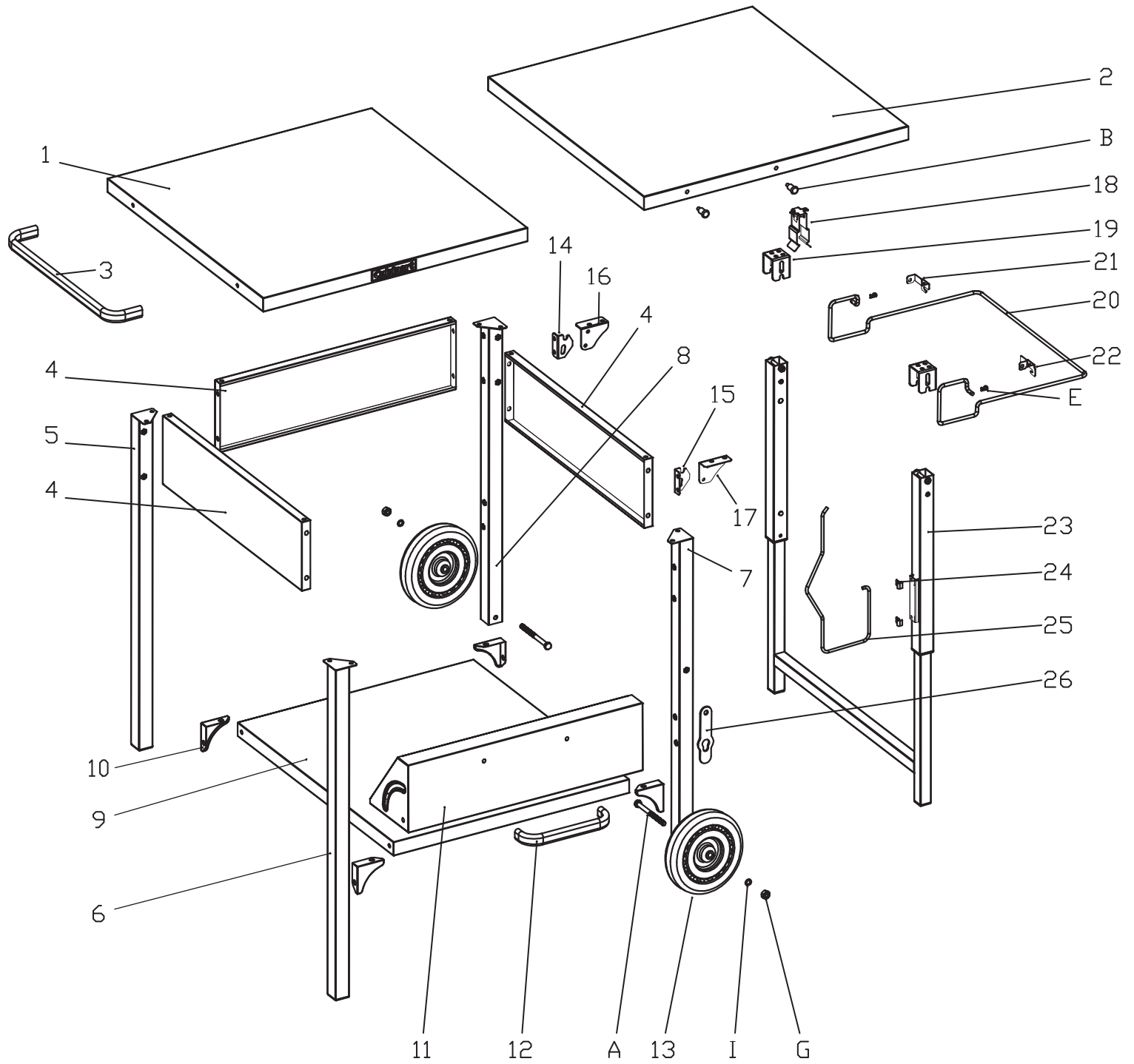
CARE AND MAINTENANCE

CLEANING

- Wash with mild detergent or non-abrasive cleaner and warm water.
- All surfaces can be cleaned with a nonabrasive sponge or rag and mild detergent with warm water. For best results wipe dry after it is clean.
- Be careful not to damage the painted surfaces, as it will expose the steel underneath to moisture which can result in rust
- To avoid rust and other weathering, it is recommended to cover or store the table indoors when not in use.

EXPLODED VIEW

For replacement parts, call our customer service department at 866-994-6390, Monday to Friday 9 AM - 5 PM EST or email outdoors@cuisinart.com. NOTE: Not all parts are replaceable.



REPLACEMENT PARTS

*** NOTE: NOT ALL PARTS ARE REPLACEABLE.**

PART #	DESCRIPTION	QTY
1	Main Table	(x1)
2	Folding Table	(x1)
3	Handle	(x1)
4	Side Panel	(x3)
5	Leg A	(x1)
6	Leg B	(x1)
7	Leg C	(x1)
8	Leg D	(x1)
9	Lower Shelf	(x1)
10	Shelf Bracket	(x4)
11	Caddy*	(x1)
12	Caddy Handle	(x1)
13	Wheel	(x2)
14 + 16	Hinge Bracket C + E	(x1)
15 + 17	Hinge Bracket D + F	(x1)
18	Folding Leg Clip*	(x1)
19	Folding Leg Bracket	(x2)
20	Trash Bag Frame	(x1)
21 + 22	Trash Bag Frame Bracket A + B	(x1)
23	Folding Leg Assembly	(x2)
24	Paper Towel Holder Bracket*	(x1)
25	Paper Towel Holder	(x1)
26	Folding Table Strap*	(x1)
	Hardware Pack	(x1)

WARRANTY AND REPLACEMENT PARTS

WARRANTY

- PROOF OF PURCHASE is required to access this warranty program, which is in effect from the date of purchase.
- Customers will be subject to parts, shipping, and handling fees if unable to provide proof of the purchase or after the warranty has expired.
- If you have any questions or problems, you can call our customer service department at 1-866-994-6390 from 9:00am to 5:00pm Eastern time, Monday through Friday for assistance.
- This limited warranty applies to the functionality of the product ONLY and does not cover cosmetic issues such as scratches, dents, corrosion or discoloring by heat, abrasive and chemical cleaners or any tools used in the assembly or installation of the table, surface rust, or the discoloration of stainless steel surfaces. Paint is not warranted and will require touch up. RUST is not considered a manufacturing or materials defect.
- This limited warranty will not reimburse you for the cost of any inconvenience, food, personal injury or property damage

LIMITED WARRANTY

- All parts warranted 1-years from date of purchase.

WARRANTY PROVISIONS

- This warranty is non-transferable and does not cover failures due to misuse of improper installation or maintenance.
- This warranty is for replacement of defective parts only. We are not responsible for incidental or consequential damages or labor costs.
- This warranty does not cover corrosion or discoloration after the table is used, or lack of maintenance, hostile environments, accidents, alterations, abuse or neglect.
- This warranty does not cover damage caused by heat, abrasive and chemical cleaners, or any damage to other components used in the installation or operation of the table.
- Paint is not warranted and may require touch-up. Items considered to be consumable such as batteries are not covered under this warranty.

DISCLAIMER OF IMPLIED WARRANTIES; LIMITATION OF REMEDIES

- Repair or replacement of defective parts is your exclusive remedy under the terms of this limited warranty.
- Manufacturer will not be responsible for any consequential or incidental damages caused by weather. This limited warranty or any applicable implied warranty does not cover damage resulting from acts of God, improper care and maintenance, accident, alteration, replacement of parts by anyone other than manufacturer, misuse, transportation, commercial use, hostile environments (inclement weather, act of nature, animal tampering), improper installation not in accordance with local codes or printed manufacturer instructions.
- For replacement parts, call our customer service department at 1-866-994-6390 from 9:00am to 5:00pm Eastern time, Monday through Friday
- To register your Cuisinart product, please visit <https://cuisinart.registria.com>.
- For FAQ's and replacement parts, please contact us at outdoors@cuisinart.com.



©2023 Cuisinart
Glendale, AZ 85307
Visit our website: www.cuisinart.com
Contact us at outdoors@cuisinart.com
Made in China
CPT-2150 2401

Cuisinart
Outdoors™

Limited Warranty

This quality product is warranted to be free from defects in material, construction and workmanship.

This is an outdoor table, direct food contact with the surface is not advisable.
In case of contact, wash the items thoroughly before consumption.