

Lumination® LED Luminaire

LPL Gen D Series



BEFORE YOU BEGIN

Read these instructions completely and carefully.

⚠ WARNING / AVERTISSEMENT

RISK OF ELECTRIC SHOCK

- Turn power off before inspection, installation or removal.
- Properly ground electrical enclosure.

RISK OF FIRE

- Follow all NEC and local codes.
- Use only UL approved wire for input/output connections.
Minimum size 18 AWG (0.75mm²).

RISQUES DE DÉCHARGES ÉLECTRIQUES

- Coupez l'alimentation avant d'inspecter, installer ou déplacer le luminaire.
- Assurez-vous de correctement mettre à la terre le boîtier d'alimentation électrique.

RISQUES D'INCENDIE

- Respectez tous les codes NEC et codes locaux.
- N'utilisez que des fils approuvés par UL pour les entrées/sorties de connexion.
Taille minimum 18 AWG (0.75mm²).

Save These Instructions

Use only in the manner intended by the manufacturer.
If you have any questions, contact the manufacturer.

This device complies with Part 15 of the FCC Rules. Operation is subject to the following two conditions: (1) This device may not cause harmful interference, and (2) this device must accept any interference received, including interference that may cause undesired operation. CAN ICES-005(A)/NMB-005(A)

Note: This equipment has been tested and found to comply with the limits for a Class A digital device, pursuant to part 15 of the FCC Rules. These limits are designed to provide reasonable protection against harmful interference when the equipment is operated in a commercial environment. This equipment generates, uses, and can radiate radio frequency energy and, if not installed and used in accordance with the instruction manual, may cause harmful interference to radio communications. Operation of this equipment in a residential area is likely to cause harmful interference in which case the user will be required to correct the interference at his own expense.

Prepare Electrical Wiring



Electrical Requirements

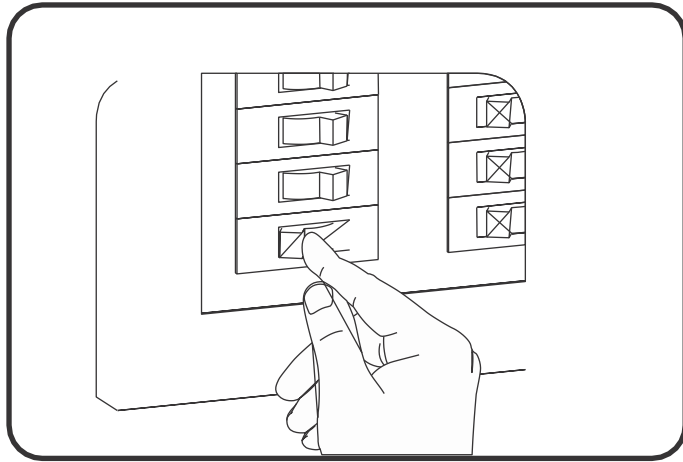
- The LED luminaire must be connected to the mains supply according to its ratings on the product label.
- Class 1 wiring should be in accordance with NEC.



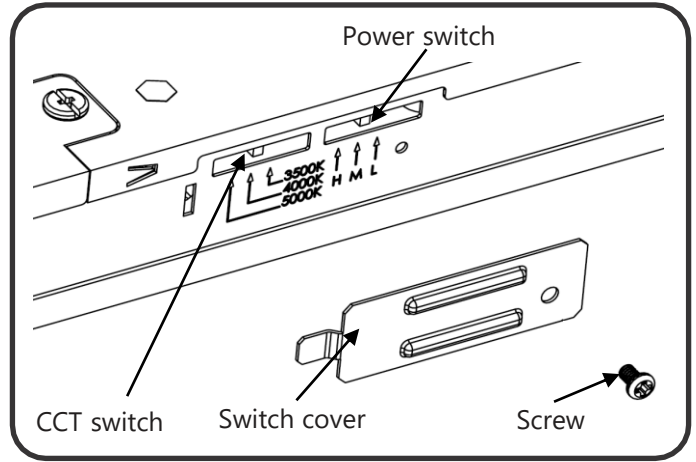
Grounding Instructions

- The grounding and bonding of the overall system shall be done in accordance to local electric code of the country where the luminaire is installed.

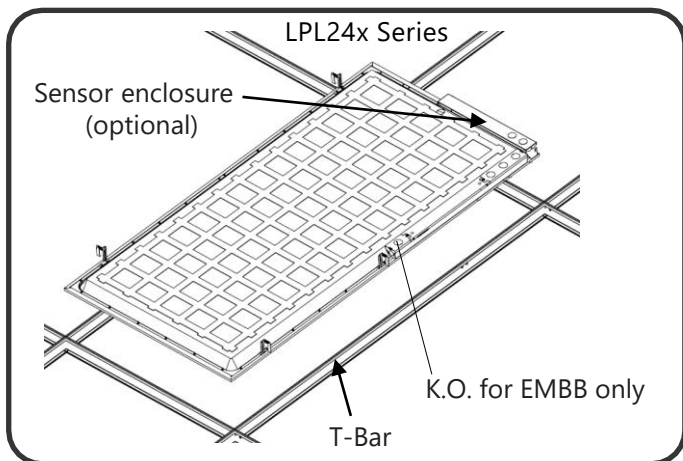
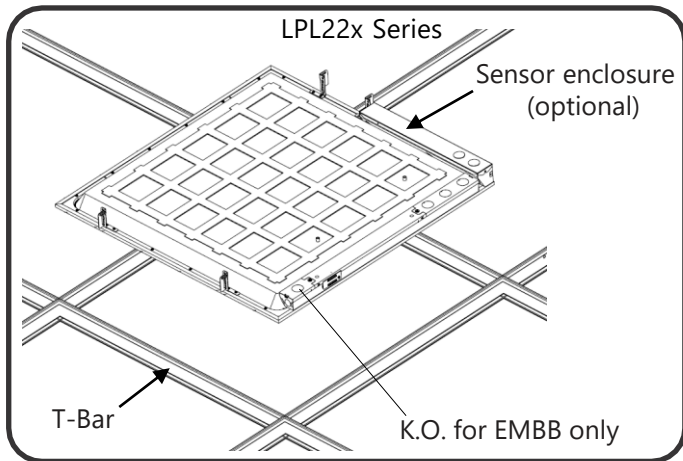
Luminaire Installation



1 **TURN OFF POWER** at the source to the luminaire.

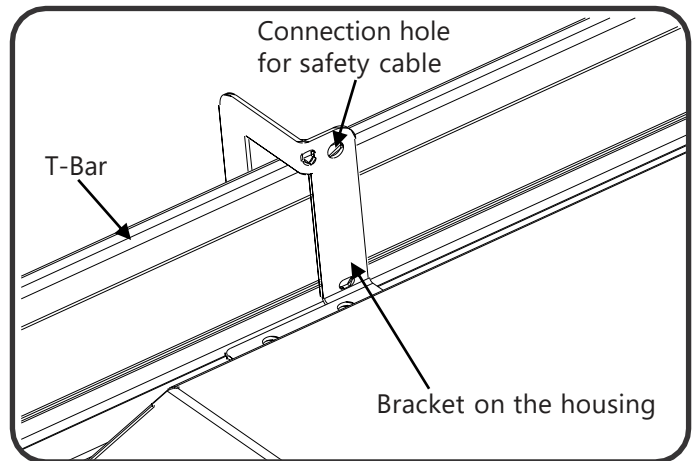


2 Default power level is M (34W for 22x and 37W for 24x), and default CCT is 4000K. For other power level or CCT, loosen screw and remove switch cover, then set switch to the desired power level or CCT by the tip of switch cover. Re-attach cover and tighten screw.



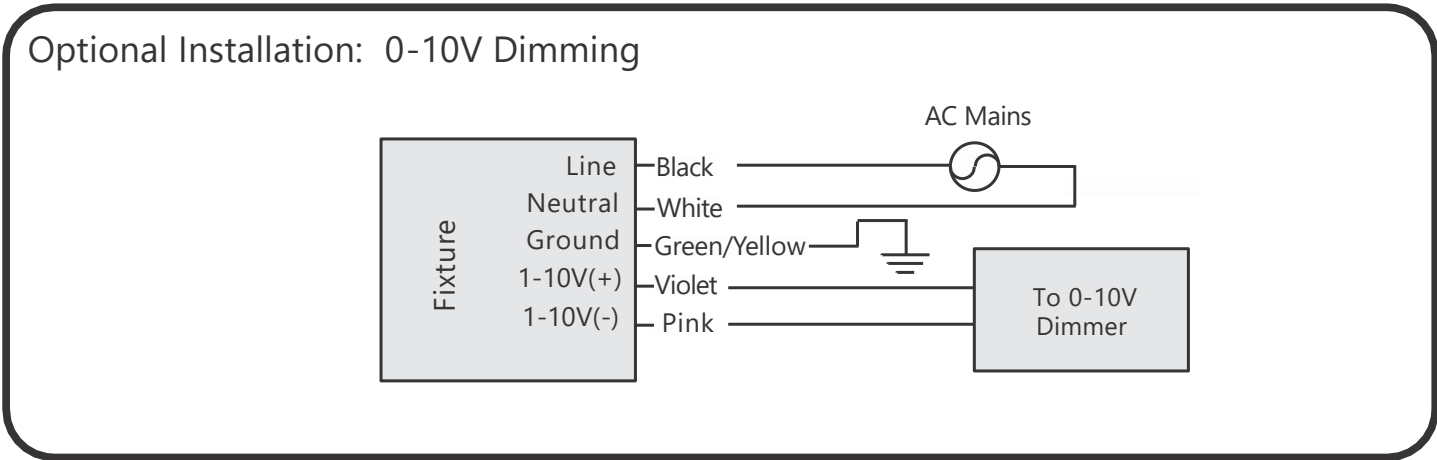
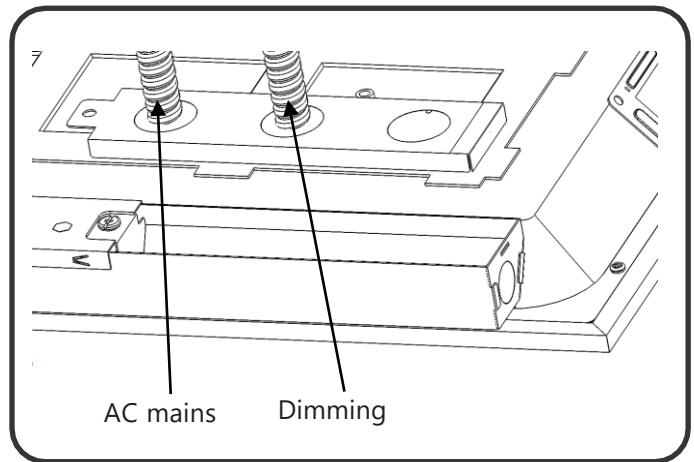
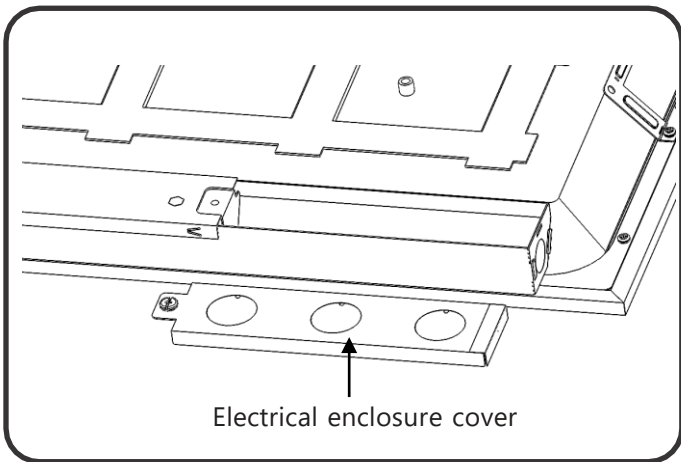
3 Insert luminaire into T-bar ceiling grid. Unit should not move freely within the ceiling grid. To ensure a consistent appearance, align fixtures in the same orientation throughout the ceiling pattern.

Model	Power (W) H/M/L	CCT (K)
22x	39.5/34(Default)/21.5	3500/4000(Default)/5000
24x	44.5/37(Default)/26.5	3500/4000(Default)/5000



4 Bend the brackets on the housing to make sure they hook to T-Bar. Secure safety cable to connection hole as needed to meet local seismic requirements. Safety cable and method of attachment to the building are provided by contractor according to local building codes.

Electrical Connections - Basic version

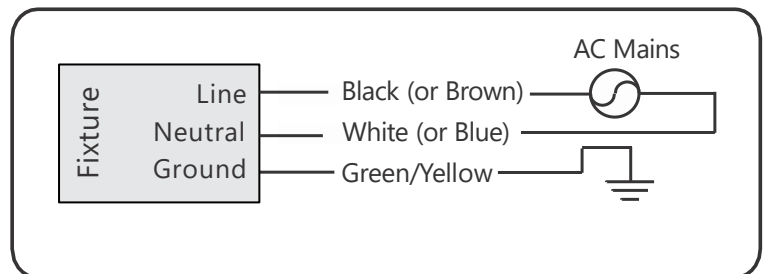
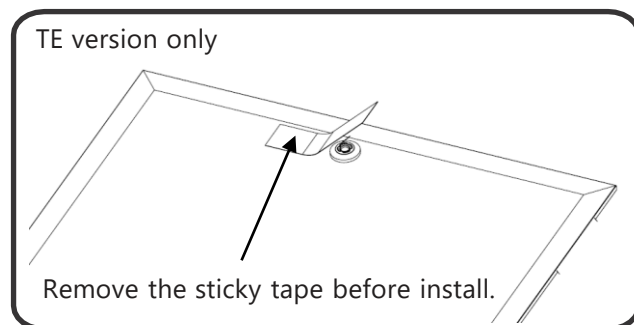
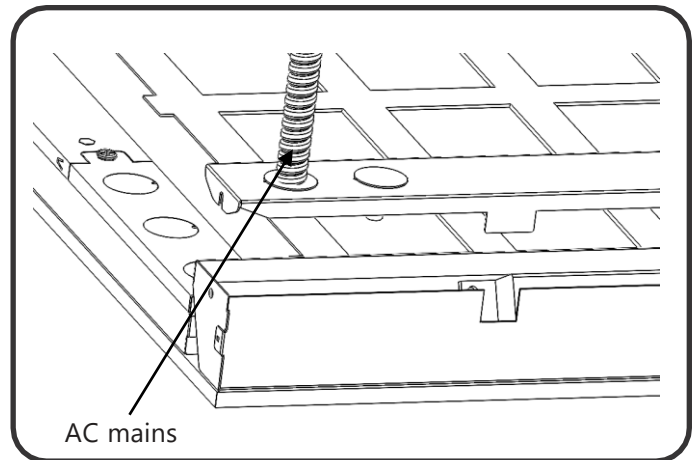
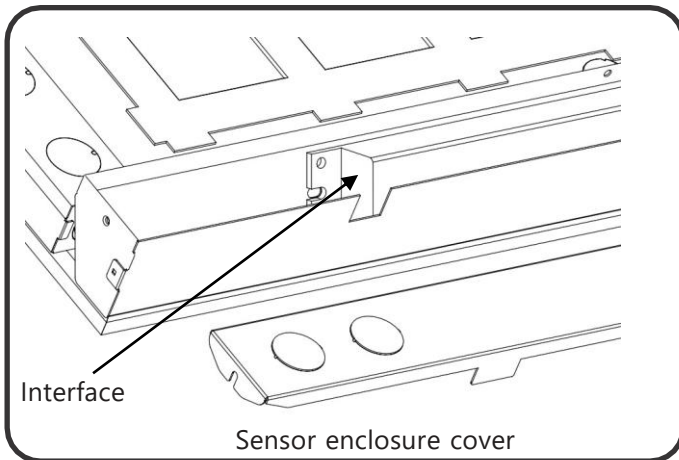


- Remove electrical enclosure cover with three Knock-Outs on the top. Carefully remove knockout for AC mains input wires. Install UL listed electrical fittings in the knockout holes for wire protection. Connect the AC mains to the black (line) and white (neutral) input wires of the fixture by using UL listed connectors or wire-nuts for 14-18 AWG. Connect the ground wire to the green-yellow ground wire of luminaire. When connecting dimming controller, wires must run through a separate knockout hole equipped with an appropriate wire restraint or cable gland. Then, re-attach and fix electrical enclosure cover with screw by screwdriver.

- Option for control kit:** To combine with LFAMBA0VQFAEL, LCAMBA0NRF AEL, LCAMBA0TSFAEL, LCAMBA0TQFAEL, LFAMBADVQFA, LCAMBA0NRFAB2, LCAMBA0TSFAB2, LCAMBA0TQFAB2, LCAMBA0NRFA, LCAMBA0TSFA or LCAMBA0TQFA, please follow the installation instruction IND467.

NOTE: Please cover dimming leads with wire nuts if leads not be connected.

Electrical Connections - Sensor version



- ① For TE version, remove the sticky tape for bending antenna before install.
For TT version, no antenna with sensor.
- ② Remove sensor enclosure cover. Carefully remove knockout for AC mains input wires. Install UL listed electrical fittings in the knockout holes for wire protection.

LPL22x
Connect the AC mains to the black (line) and white (neutral) input wires of the luminaire/interface by using UL listed connectors or wire-nuts for 18-14 AWG.

LPL24x
Connect the AC mains to the brown (line) and blue (neutral) input wires of the luminaire/interface by using UL listed connectors or wire-nuts for 18-14 AWG.

Connect the ground wire to the green-yellow ground wire of luminaire. Then, re-attach and fix enclosure cover with screw by screwdriver.
- ③ Every luminaire in sensor version has an imbedded wireless sensor (WIT100 or WIZ20). Luminaire can be set-up (or “commissioned”) and controlled via the **Daintree EZ Connect** app, which can be downloaded on the Apple® App Store. **Daintree EZ Connect** controls a localized zone or group of luminaires for greater savings and occupant comfort. This wireless solution allows a zone of adjacent luminaires to communicate with each other directly, without need a separate hub, gateway or cloud-based operating system.

Please visit <https://www.gecurrent.com/search?keys=wit100> for more details.